



A TEREX BRAND

Parts Manual

Serial Number Range

Z-30/20N

from SN 1932

Z-30/20N RJ

Part No. 74117

Rev J33

January 2015

Technical Publications

Genie has endeavored to deliver the highest degree of accuracy possible. However, continuous improvement of our products is a Genie policy. Therefore, product specifications are subject to change without notice.

Readers are encouraged to notify Genie of errors and send in suggestions for improvement. All communications will be carefully considered for future printings of this and all other manuals.

Contact Us:

<http://www.genielift.com>

e-mail: awp.techpub@terex.com

Serial Number Information


Genie Industries offers the following Parts Manuals for these models:

Title	Part No
Genie Z-30/20N Parts Manual (before serial number 1931)	35533

Copyright © 2011 by Terex Corporation

74117 Rev J October 2009
2nd Edition, 9th Printing

Genie is a registered trademark of Terex South Dakota, Inc. in the USA and many other countries. "Z" is a trademark of Terex South Dakota, Inc.

 Printed on recycled paper



A TEREX COMPANY

Model: Z-30/20N

Serial number: Z30N05-12345

Model year: 2005 Manufacture date: 04/12/05

Electrical schematic number: ESXXXX

Machine unladen weight:

Rated work load (including occupants): XXX lb / XXX kg

Maximum number of platform occupants: X

Maximum allowable side force : XXX lb / XXX N

Maximum allowable inclination of the chassis:

0 deg

Maximum wind speed : XX mph/ XX m/s

Maximum platform height : XX ft / XX m

Maximum platform reach : XX ft / XX m

Gradeability: N/A

Country of manufacture: USA

This machine complies with:

Genie Industries

18340 NE 76th Street

Redmond, WA 98052

USA



11111111

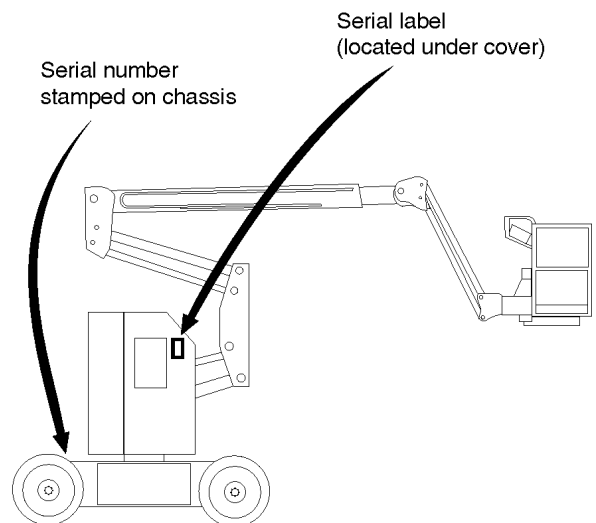
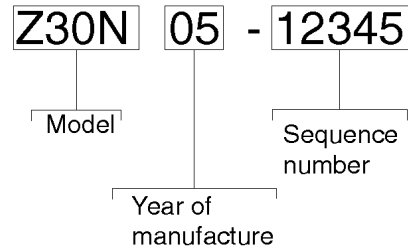


Table of Contents

This manual is updated frequently. If you have a printed manual, you can keep it up to date by downloading new figures from the Genie website at www.genielift.com. For the most up-to-date parts information, visit the Parts Lookup System on the Genie website at www.genielift.com.

How to Read Your Serial Number.....	3
Parts Stocking List.....	7
How to Order Parts.....	8
Service Parts Fax Order Form.....	9

Electronic Version

Click on any page number to view the figure.

100 Decals

101.1 Decals (to SN 6289).....	10
102.1 Decals with Words (from SN 6290 to 8332).....	14
102.2 Decals with Words (from SN 8333).....	16
103.1 Decals with Symbols (from SN 6290).....	20

200 Chassis Components

201.1 Steer Axle Linkage, Wheels and Hubs (to SN 5840).....	22
202.1 Steer Axle Linkage, Wheels and Hubs (from SN 5841).....	24
203.1 Battery Charger (to SN 3446).....	26
203.2 Battery Charger (from SN 3447).....	28
204.1 Battery Packs (to SN 5840).....	30
205.1 Battery Packs (from SN 5841).....	32
206.1 Non-steer Axle.....	34
207.1 Electronic Control Module (to SN 3446).....	40
208.1 Electronic Control Module (from SN 3447).....	42
209.1 Power Cable Diagram (to SN 3446).....	44
210.1 Power Cable Diagram (from SN 3447 to 10917).....	46
210.2 Power Cable Diagram (from SN 10918).....	48

300 Turntable Components

301.1 Turntable Rotator.....	50
302.1 Ground Controls Side (to SN 3446).....	54
303.1 Ground Controls Side (from SN 3447 to 9825).....	56
303.2 Ground Controls Side (from SN 9826).....	60
304.1 Ground Control Panel.....	62
305.1 Power Unit Side (to SN 12039).....	64
305.2 Power Unit Side (from SN 12040).....	68
306.1 Turntable Covers (to SN 10538).....	70
306.2 Turntable Covers (from SN 10539).....	72

307.1 Wire Harness Diagram.....	74
---------------------------------	----

400 Boom Components, Z-30/20N (Non-Rotating Jib)

401.1 Secondary Boom - View 1.....	76
402.1 Secondary Boom - View 2.....	78
403.1 Upper Pivot.....	80
404.1 Primary and Extension Booms.....	82
405.1 Cable Track.....	84
406.1 Jib Boom and Platform Rotator.....	86

500 Boom Components, Z-30/20NRJ (Rotating Jib)

501.1 Primary Boom Wear Pads (to SN 6456).....	90
501.2 Primary Boom Wear Pads (from SN 6457).....	92
502.1 Primary and Extension Booms.....	94
503.1 Rotating Jib Boom Assembly.....	96
504.1 Secondary Boom - View 1.....	100
505.1 Secondary Boom - View 2.....	102
506.1 Cable Track.....	104

600 Platform Components

601.1 Platform.....	106
602.1 Platform Controls - View 1 (to SN 4082).....	110
603.1 Platform Controls - View 2 (to SN 4082).....	112
604.1 Platform Controls - View 1 (from SN 4083 to 8354).....	114
604.2 Platform Controls - View 1 (from SN 8355).....	116
605.1 Platform Controls - View 2 (from SN 4083 to 11193).....	118
605.2 Platform Controls - View 2 (from SN 11194).....	120
606.1 Joystick Controller (to SN 3446).....	122
607.1 Joystick Controller (from SN 3447).....	124
608.1 Rotational Controller.....	126

700 Pumps and Manifolds

701.1 Steer/Brake Manifold (to SN 3446).....	128
702.1 Function Manifold (to SN 3446).....	130
703.1 Function Manifold (from SN 3447).....	132
704.1 Jib Boom Manifolds.....	136

800 Hydraulic Hoses and Fittings

801.1 Drive Chassis.....	138
802.1 Turntable Components (to SN 3446).....	140
803.1 Turntable Components (from SN 3447).....	142
803.2 Turntable Components (from SN 12040).....	144
804.1 Boom Components (to SN 11304).....	146
804.2 Boom Components (from SN 11305).....	148

900 Accessories

901.1 Flashing Beacon and Descent Alarm (to SN 10538).....	150
901.2 Flashing Beacon and Descent Alarm (from SN 10539).....	152

902.1 Air Line to Platform.....154

903.1 Platform Options - View 1.....156

904.1 Platform Options - View 2 (to SN 9308).....158

904.2 Platform Options - View 2 (from SN 9309).....160

905.1 Platform Overload (from SN 6291).....162

906.1 Inverter Option, 120V.....164

907.1 Drive Light Option.....166

908.1 Hostile Environment Package (to SN 12119).....168

909.1 Aircraft Protection (to SN 10885).....170

909.2 Aircraft Protection (from SN 10886).....172

910.1 Auxiliary Rail Assembly.....174

911.1 Hostile Environment, Primary Boom Wipers, Z-30N (from SN 12120).....176

912.1 Hostile Environment, Primary Boom Wipers, Z-30N RJ (from SN 12120).....178

913.1 Hostile Environment, Cylinder Bellows (from SN 12120).....180

Indices

Part Number Index.....182

Part Description Index.....187

Cross References

Fittings Cross Reference.....196

Required Parts

The following parts are required to perform maintenance procedures as outlined in the *Genie Z-30/20N Service Manual*.

Description	Part No.
Filter Element, 10 Micron.....	74634
O-ring Kit (for ORFS Fittings)	49612
Plug and Cap Kit (for ORFS fittings).....	49613
Dielectric Grease	66399

Recommended Parts

Description	Part No.
Genie Blue Paint, 1 Gallon	32150
Genie Blue Paint, 12 Ounce Aerosol.....	1484
Genie Gray Paint, 1 Gallon	32151
Genie Gray Paint, 12 Ounce Aerosol	1268

Manuals

Genie Industries offers the following support documents for these models:

Title	Part No.
Genie Z-30/20N Operator's Manual, Fourth Edition, from SN 8333 to 12119	1000046
Genie Z-30/20N Operator's Manual, 5th Edition, from SN 12120	133546
Genie Z-30/20N Operator's Manual, Aus. 6th Edition, from SN 12531	227521
Genie Z-30/20N Service Manual 2nd Edition (from SN 5934 to 11499)	106373
Genie Z-30/20N Service Manual 3rd Edition (from SN 11500).....	139378
EMI Safety Manual	27581
Manual of Responsibilities ANSI A92.5.....	31779

How To Order Parts

Please be prepared with the following information when ordering replacement parts for your Terex or Genie product:

- Machine model number
- Machine serial number
- Part number
- Part description and quantity
- Purchase order number
- "Ship to" address
- Desired method of shipment
- Name and telephone number of the authorized distributor in your area

Use the Service Parts Fax Order Form on the next page and fax your order to our Parts Department.

If you don't know the name of your authorized distributor, or if your area is not currently serviced by an authorized distributor, please call Terex or Genie Industries.

Machine Information

Model

Serial Number

Date of Purchase

Authorized Genie Distributor

Phone Number

North America

Telephone (425) 556-6551
 Toll Free (877) 367-5606 in U.S.A. and Canada
 Fax (425) 556-8659
 Toll Free Fax (888) 274-6192

Europe

Parts Telephone (31) (165) 519 313
 Parts Fax (31) (165) 511 148

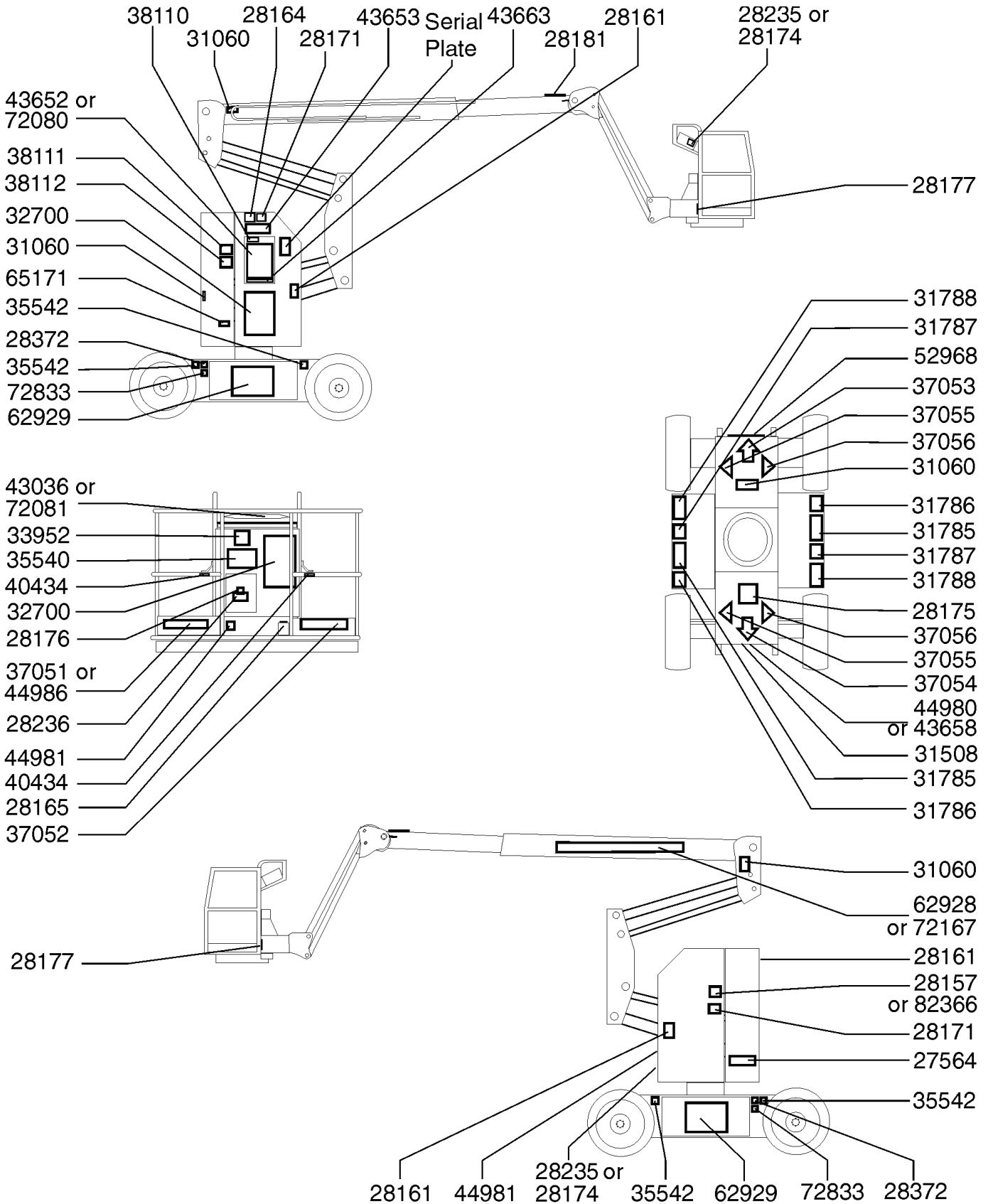
Australia

Parts Telephone (61) (7) 3456 4444
 Parts Fax (61) (7) 3456 4466

South America

Parts Telephone (55) (11) 4082 5600
 Parts Fax (55) (11) 4082 5630

101.1 Decals (to SN 6289)



101.1 Decals (to SN 6289)

Item	Part No.	Description	Qty.	Item	Part No.	Description	Qty.
--	46192	DECAL KIT,WORDS,Z30N/Z20 <i>includes items 1, 3-6, 8-11, 13-24, 27-31, 37, 38, 47, 48, 49, 51 and 52</i>		24	35542	DECAL,NOTICE,LUG NUT TORQUE***.....	4
1	27564	DECAL,DANGER,ELEC.HAZ.STAY CLR.....	2	25	37051	DECAL,NOTICE,SIDE FRC 150,ANSI.....	1
2	28157	DECAL,USE DEXRON***.....	1	26	37052	DECAL,NOTICE,MAX LOAD 500 LBS.....	1
3	28161	DECAL,WARN,CRUSH HAZARD HAND.....	3	27	37053	DECAL,ARROW,BLUE.....	2
4	28164	DECAL,NOTICE,HAZARDOUS MAT'LS*.....	1	28	37054	DECAL,ARROW,YELLOW SM 5-3/8".....	2
5	28165	DECAL,INSTRUCT,FOOTSWITCH OPER.....	1	29	37055	DECAL,TRIANGLE,BLUE.....	2
6	28171	DECAL,DANGER,NO SMOKING***.....	1	30	37056	DECAL,TRIANGLE,YELLOW.....	2
7	28174	DECAL,POWER TO PLATFORM 230V.....	2	31	38110	DECAL,LABEL,TRAVEL ALARM***.....	2
8	28175	DECAL,COMPARTMENT ACCESS.....	1	32	38111	DECAL,WARNING,BRAKE RELEASE***.....	1
9	28176	DECAL,LABEL,MANUAL NOT HERE.....	1	33	38112	DECAL,CAUTION,BRAKE RELEASE***.....	1
10	28177	DECAL,WARN,CRUSH HAZARD PLAT.....	2	34	40434	DECAL,LANYARD ANCHORAGE POINT.....	2
11	28181	DECAL,WARN,FALL HAZARD.....	1	35	43036	DECAL, PLATFORM CONTROL PANEL *.....	1
12	28235	DECAL,POWER TO PLATFORM 115V.....	2	36	43652	DECAL,GROUND CONTROL PANEL **.....	1
13	28236	DECAL,WARN,IMPROPER OPERATION.....	1	37	43653	DECAL,NOTICE, GRD OPER INSTRUC.....	1
14	28372	DECAL,NOTICE,BATTERY CABLES.....	2	38	43658	DECAL,LABEL,PWR TO CHARGR 230V.....	1
15	31060	DECAL,DANGER DO NOT ALTER SWTC.....	2	39	43663	DECAL,NOTICE, FUNCTION ENABLE*.....	1
16	31508	DECAL,DANGER,ELECT HAZARD,PLUG.....	1	40	44980	DECAL,LABEL,PWR TO CHARGR 115V.....	1
17	31785	DECAL,NOTICE,CHARGER INSTRUC.....	2	41	44981	DECAL,LABEL,AIRLINE 110 PSI.....	2
18	31786	DECAL,NOTICE,BATT CONNECTION.....	2	42	44986	DECAL,INSTR,SIDE FRC/WIND,AUS.....	1
19	31787	DECAL,DANGER,TIP-OVER BATTERY.....	2	43	52968	DECAL,COSMETIC,GENIE BOOM,VERT.....	1
20	31788	DECAL,DANGER,BATTERY SAFETY***.....	2	44	62928	DECAL,COSMETIC,GENIE Z-30/20N.....	1
21	32700	DECAL,DANGER,GEN SAFETY RULES*.....	2	45	62929	DECAL,COSM,GENIE Z-30/20N(BOX).....	1
22	33952	DECAL,DANGER,TILT ALARM***.....	1	46	65171	DECAL,LABEL,CB & STATUS LIGHT.....	1
23	35540	DECAL,NOTICE,OPER INST PLAT,DC.....	1	47	72080	DECAL,GROUND CONTROL PANEL.....	1

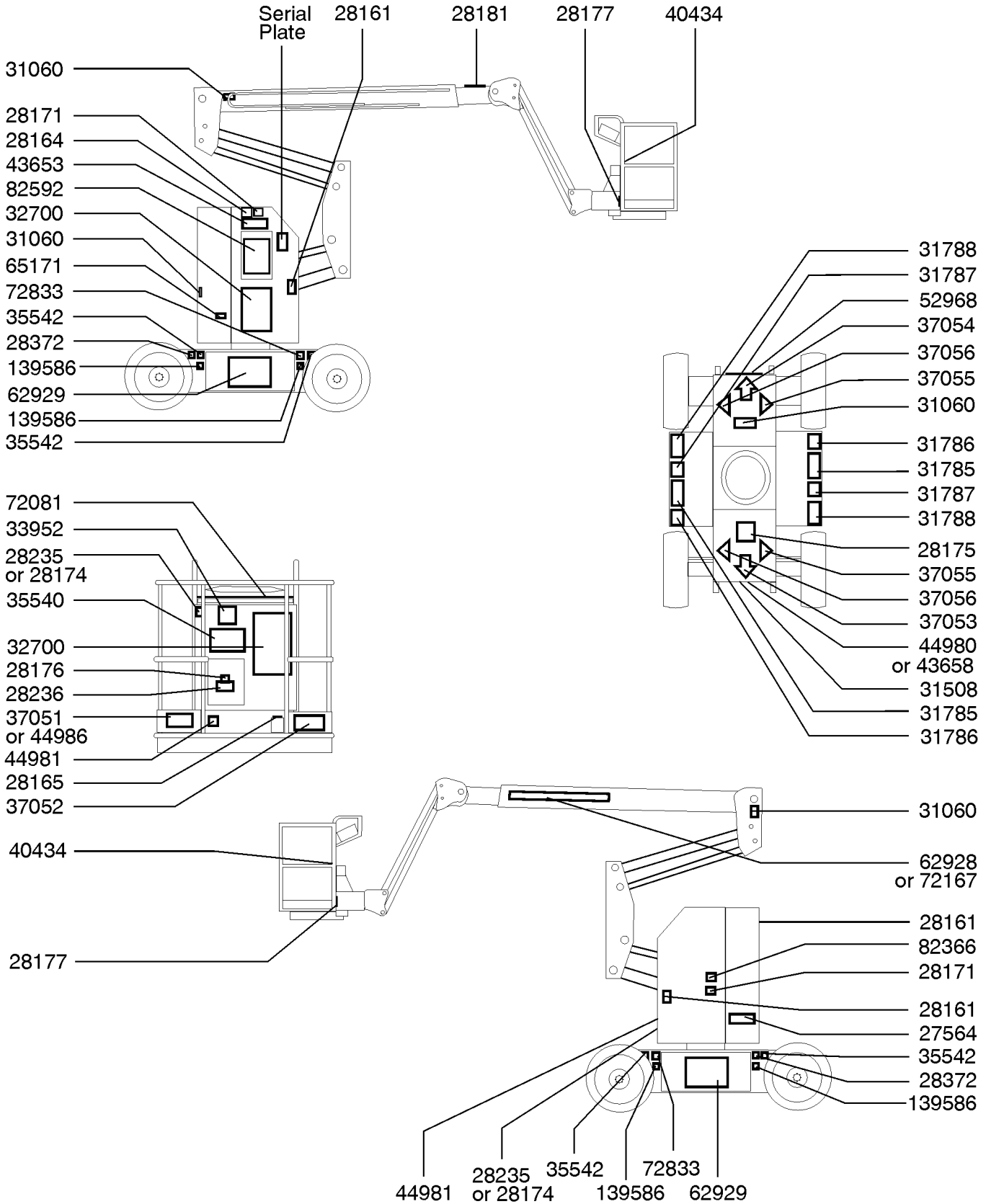


101.1 Decals (to SN 6289)
(continued)

Item	Part No.	Description	Qty.
48	72081	DECAL,PLATFORM CONTROL PANEL.....	1
49	72167	DECAL,COSMETIC,GENIE Z30/20NRJ.....	1
50	72833	DECAL,LABEL, OPEN, LATCH.....	1
51	82366	DECAL,CHEVRON RANDO HD.....	1

This Page Intentionally Left Blank

102.1 Decals with Words (from SN 6290 to 8332)

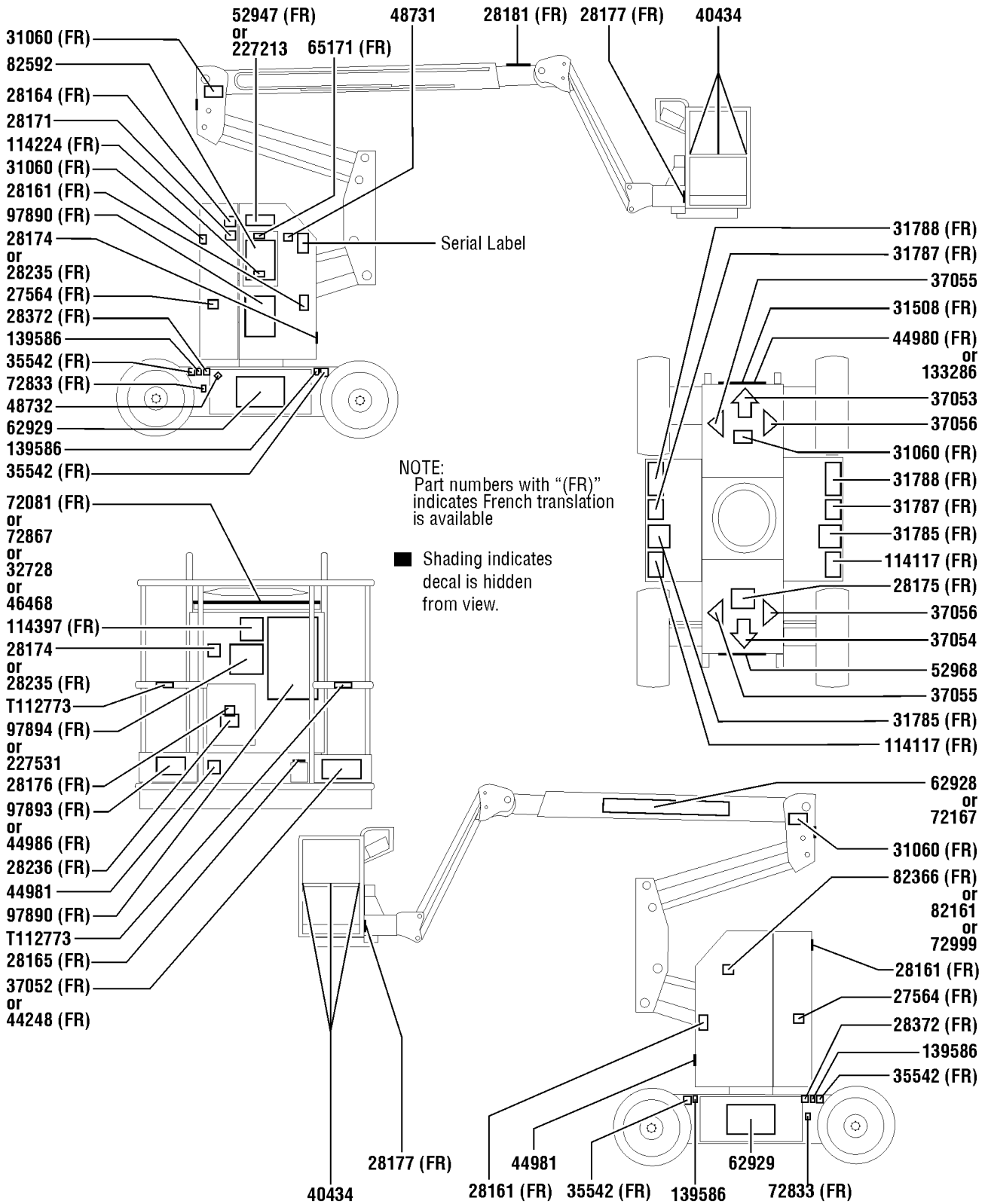


102.1 Decals with Words (from SN 6290 to 8332)

Item	Part No.	Description	Qty.	Item	Part No.	Description	Qty.
--	T107970	DECAL KIT,WRD,Z30-20NRJ ANSI <i>ANSI/CSA models</i>		21	33952	DECAL,DANGER,TILT ALARM***....	1
--	T107971	DECAL KIT,WRD,Z30-20NRJ AUS <i>Australia models</i>		22	35540	DECAL,NOTICE,OPER INST PLAT,DC.....	1
1	27564	DECAL,DANGER,ELEC.HAZ.STAY CLR.....	2	23	35542	DECAL,NOTICE,LUG NUT TORQUE***.....	4
2	28161	DECAL,WARN,CRUSH HAZARD HAND.....	2	24	37051	DECAL,NOTICE,SIDE FRC 150,ANSI.....	1
3	28164	DECAL,NOTICE,HAZARDOUS MAT'LS*.....	1	25	37052	DECAL,NOTICE,MAX LOAD 500 LBS.....	1
4	28165	DECAL,INSTRUCT,FOOTSWITCH OPER.....	1	26	37053	DECAL,ARROW,BLUE.....	1
5	28171	DECAL,DANGER,NO SMOKING***.....	2	27	37054	DECAL,ARROW,YELLOW SM 5-3/8".....	1
6	28174	DECAL,POWER TO PLATFORM 230V.....	2	28	37055	DECAL,TRIANGLE,BLUE.....	2
7	28175	DECAL,COMPARTMENT ACCESS.....	2	29	37056	DECAL,TRIANGLE,YELLOW.....	2
8	28176	DECAL,LABEL,MANUAL NOT HERE.....	1	30	40434	DECAL,LANYARD ANCHORAGE POINT.....	2
9	28177	DECAL,WARN,CRUSH HAZARD PLAT.....	2	31	43653	DECAL,NOTICE,GRD OPER INSTRUC.....	1
10	28181	DECAL,WARN,FALL HAZARD.....	1	32	43658	DECAL,LABEL,PWR TO CHARGR 230V.....	1
11	28235	DECAL,POWER TO PLATFORM 115V.....	2	33	44980	DECAL,LABEL,PWR TO CHARGR 115V.....	1
12	28236	DECAL,WARN,IMPROPER OPERATION.....	1	34	44981	DECAL,LABEL,AIRLINE 110 PSI.....	2
13	28372	DECAL,NOTICE,BATTERY CABLES.....	2	35	44986	DECAL,INSTR,SIDE FRC/WIND,AUS.....	1
14	31060	DECAL,DANGER DO NOT ALTER SWTC.....	1	36	52968	DECAL,COSMETIC,GENIE BOOM,VERT.....	1
15	31508	DECAL,DANGER,ELECT HAZARD,PLUG.....	1	37	62928	DECAL,COSMETIC,GENIE Z-30/20N.....	1
16	31785	DECAL,NOTICE,CHARGER INSTRUC.....	1	38	62929	DECAL,COSM,GENIE Z-30/20N(BOX).....	1
17	31786	DECAL,NOTICE,BATT CONNECTION.....	2	39	65171	DECAL,LABEL,CB & STATUS LIGHT.....	1
--	114117	DECAL,BATT CONN DIAGRAM <i>from S/N 6802</i>		40	72167	DECAL,COSMETIC,GENIE Z30/20NRJ.....	1
18	31787	DECAL,DANGER,TIP-OVER BATTERY.....	2	41	72081	DECAL,PLATFORM CONTROL PANEL.....	1
19	31788	DECAL,DANGER,BATTERY SAFETY***.....	2	42	72833	DECAL,LABEL, OPEN, LATCH.....	1
20	32700	DECAL,DANGER,GEN SAFETY RULES*.....	1	43	82366	DECAL,CHEVRON RANDO HD.....	1
				44	82592	DECAL,GROUND CONTROL PANEL.....	1
				45	139586	DECAL,LABEL,WHEEL LOAD Z30N&RJ.....	4
						<i>(replaced 82628)</i>	



102.2 Decals with Words (from SN 8333)



102.2 Decals with Words (from SN 8333)

Item	Part No.	Description	Qty.	Item	Part No.	Description	Qty.
1	27564	DECAL,DANGER,ELEC.HAZ.STAY CLR.....	2	26	40434	DECAL,LANYARD ANCHORAGE POINT.....	6
2	28161	DECAL,WARN,CRUSH HAZARD HAND.....	3	27	44248	DECAL,NOTICE,MAX CAP 440 LBS.....	1
3	28164	DECAL,NOTICE,HAZARDOUS MAT'LS*.....	1	<i>models with aircraft protection package</i>			
4	28165	DECAL,INSTRUCT,FOOTSWITCH OPER.....	1	28	44980	DECAL,LABEL,PWR TO CHARGR 115V.....	1
5	28171	DECAL,DANGER,NO SMOKING.....	1	<i>EE option</i>			
6	28174	DECAL,POWER TO PLATFORM 230V.....	2	29	44981	DECAL,LABEL,AIRLINE 110 PSI.....	2
7	28175	DECAL,COMPARTMENT ACCESS.....	1	30	44986	DECAL,INSTR,SIDE FRC/WIND,AUS.....	1
8	28176	DECAL,LABEL,MANUAL NOT HERE.....	1	<i>Australia models</i>			
9	28177	DECAL,WARN,CRUSH HAZARD PLAT.....	2	31	46468	DECAL,FUNCTION OVERRIDE.....	1
10	28181	DECAL,WARN,FALL HAZARD.....	1	<i>models with aircraft protection package</i>			
11	28235	DECAL,POWER TO PLATFORM 115V.....	2	32	48731	DECAL,LABEL,FMRC APPROVED.....	1
12	28236	DECAL,WARN,IMPROPER OPERATION.....	1	33	48732	DECAL,LABEL,EE RATING.....	1
13	28372	DECAL,NOTICE,BATTERY CABLES.....	2	34	52947	DECAL,OPERATING INSTR,GROUND.....	1
14	31060	DECAL,DANGER DO NOT ALTER SWTC.....	4	<i>ANSI models</i>			
15	31508	DECAL,DANGER,ELECT HAZARD,PLUG.....	1	35	52968	DECAL,COSMETIC,GENIE BOOM,VERT.....	1
16	31785	DECAL,NOTICE,CHARGER INSTRUC.....	2	36	62928	DECAL,COSMETIC,GENIE Z-30/20N.....	1
17	31787	DECAL,DANGER,TIP-OVER BATTERY.....	2	<i>models without rotating jib</i>			
18	31788	DECAL,DANGER,BATTERY SAFETY***.....	2	37	62929	DECAL,COSM,GENIE Z-30/20N(BOX).....	2
19	32728	DECAL,OPTION GENERATOR***.....	1	<i>models with rotating jib</i>			
20	35542	DECAL,NOTICE,LUG NUT TORQUE***.....	4	38	65171	DECAL,LABEL,CB & STATUS LIGHT.....	1
21	37052	DECAL,NOTICE,MAX LOAD 500 LBS.....	1	39	72081	DECAL,PLATFORM CONTROL PANEL**.....	1
22	37053	DECAL,ARROW,BLUE.....	1	40	72167	DECAL,COSMETIC,GENIE Z30/20NRJ.....	1
23	37054	DECAL,ARROW,YELLOW SM 5-3/8".....	1	<i>models with rotating jib</i>			
24	37055	DECAL,TRIANGLE,BLUE.....	2	41	72833	DECAL,LABEL,OPEN,LATCH.....	2
25	37056	DECAL,TRIANGLE,YELLOW.....	2	42	72867	DECAL,LABEL,LIGHTS***.....	1
				<i>models with work lights</i>			
				43	72999	DECAL,LABEL,PETRO CANADA***.....	1
				44	82161	DECAL,LABEL,UCON HYDROLUBE.....	1
				45	82366	DECAL,CHEVRON RANDO HD.....	1
				46	82592	DECAL,GROUND CONTROL PANEL***.....	1

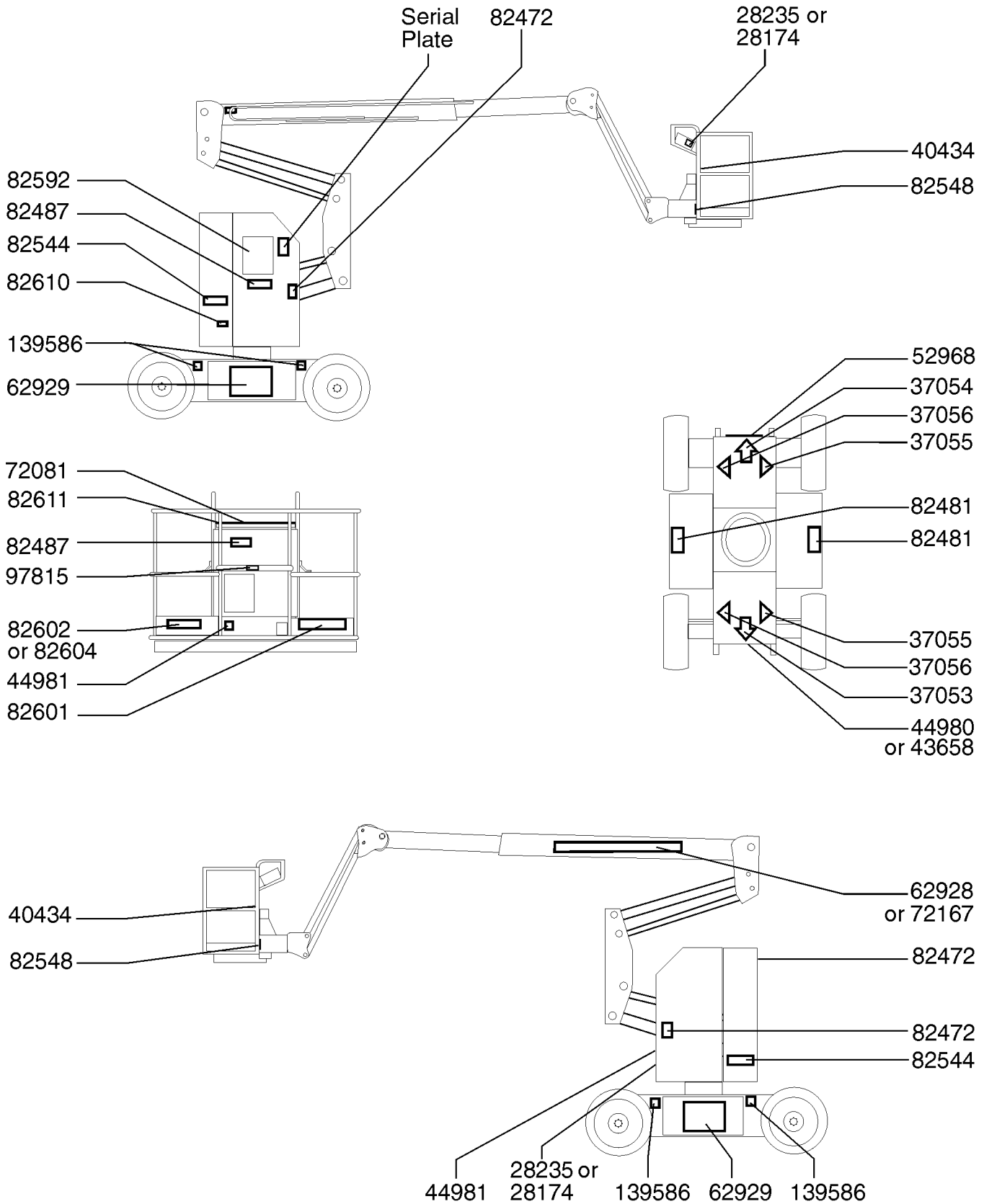


102.2 Decals with Words (from SN 8333)
(continued)

Item	Part No.	Description	Qty.
47	97890	DECAL,DANGER,GEN SAFETY RULES.....	2
48	97893	DECAL,NOTICE,SIDE FRC/WINDANSI..... <i>ANSI/CSA models</i>	1
49	97894	DECAL,NOTICE,OPER INST PLAT,DC..... <i>ANSI models</i>	1
50	114117	DECAL,BATT CONN DIAGRAM.....	2
51	114224	DECAL,LABEL,RELAYS,Z30N,Z34NDC.	1
52	114397	DECAL,DANGER,TILT ALARM.....	1
53	133286	DECAL, POWER TO CHARGER, UNIV.....	1
54	139586	DECAL,LABEL,WHEEL LOAD Z30N&RJ.....	4
55	227213	DECAL,OPER INST,DC BOOM GND AU..... <i>Australia models</i>	1
56	227531	DECAL, OPERATING INSTRUCTIONS..... <i>Australia models</i>	1
57	T112773	TAPE, PROTECTIVE MASK.....	2

This Page Intentionally Left Blank

103.1 Decals with Symbols (from SN 6290)

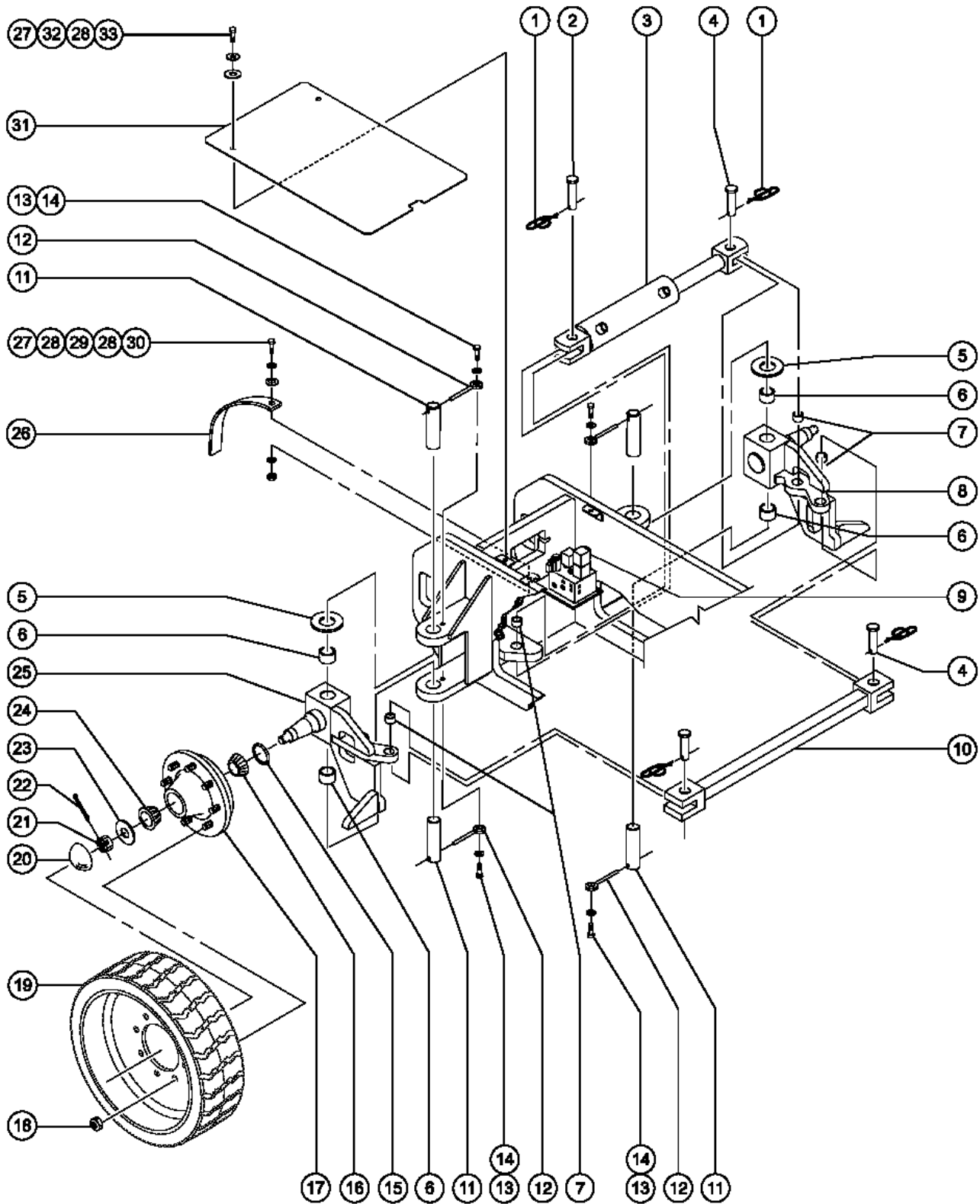


103.1 Decals with Symbols (from SN 6290)

Item	Part No.	Description	Qty.	Item	Part No.	Description	Qty.
--	T107974	DECAL KIT,SYM,Z30/20 ANSI <i>Asia / South America models</i>		23	82602	DECAL,DANGER,MAX SIDE FRC,667N.....	1
--	T107975	DECAL KIT,SYM,Z30/20 CE <i>CE models</i>		24	82604	DECAL,DANGER,SIDE FRC 400N.....	1
1	28174	DECAL,POWER TO PLATFORM 230V.....	2	25	82610	DECAL,LABEL,CB & STATUS LIGHT.....	1
2	28235	DECAL,POWER TO PLATFORM 115V.....	2	26	82611	DECAL,DRIVE ENABLE PATCH.....	1
3	37053	DECAL,ARROW,BLUE.....	1	27	139586	DECAL,LABEL,WHEEL LOAD Z30N&RJ.....	4
4	37054	DECAL,ARROW,YELLOW SM 5-3/8".....	1	28	97815	DECAL,LABEL,LOWER MIDRAIL....	1
5	37055	DECAL,TRIANGLE,BLUE.....	2				
6	37056	DECAL,TRIANGLE,YELLOW.....	2				
7	40434	DECAL,LANYARD ANCHORAGE POINT.....	2				
8	43658	DECAL,LABEL,PWR TO CHARGR 230V.....	1				
9	44980	DECAL,LABEL,PWR TO CHARGR 115V.....	1				
10	44981	DECAL,LABEL,AIRLINE 110 PSI....	2				
11	52968	DECAL,COSMETIC,GENIE BOOM,VERT.....	1				
12	62928	DECAL,COSMETIC,GENIE Z-30/20N.....	1				
13	62929	DECAL,COSM,GENIE Z-30/20N(BOX).....	1				
14	72081	DECAL,PLATFORM CONTROL PANEL.....	1				
15	72167	DECAL,COSMETIC,GENIE Z30/20NRJ.....	1				
16	82472	DECAL,WARNING,CRUSHING HAZARD.....	3				
17	82481	DECAL,SYMBOL-BATTERY SAFETY.....	2				
18	82487	DECAL,SYMBOL-READ THE MANUAL.....	2				
19	82544	DECAL,DANGER,ELEC.HAZ.STAY CLR.....	2				
20	82548	DECAL,WARN,CRUSH HAZARD PLAT.....	2				
21	82592	DECAL,GROUND CONTROL PANEL.....	1				
22	82601	DECAL,LABEL,MAX CAPACITY***.....	1				



201.1 Steer Axle Linkage, Wheels and Hubs (to SN 5840)

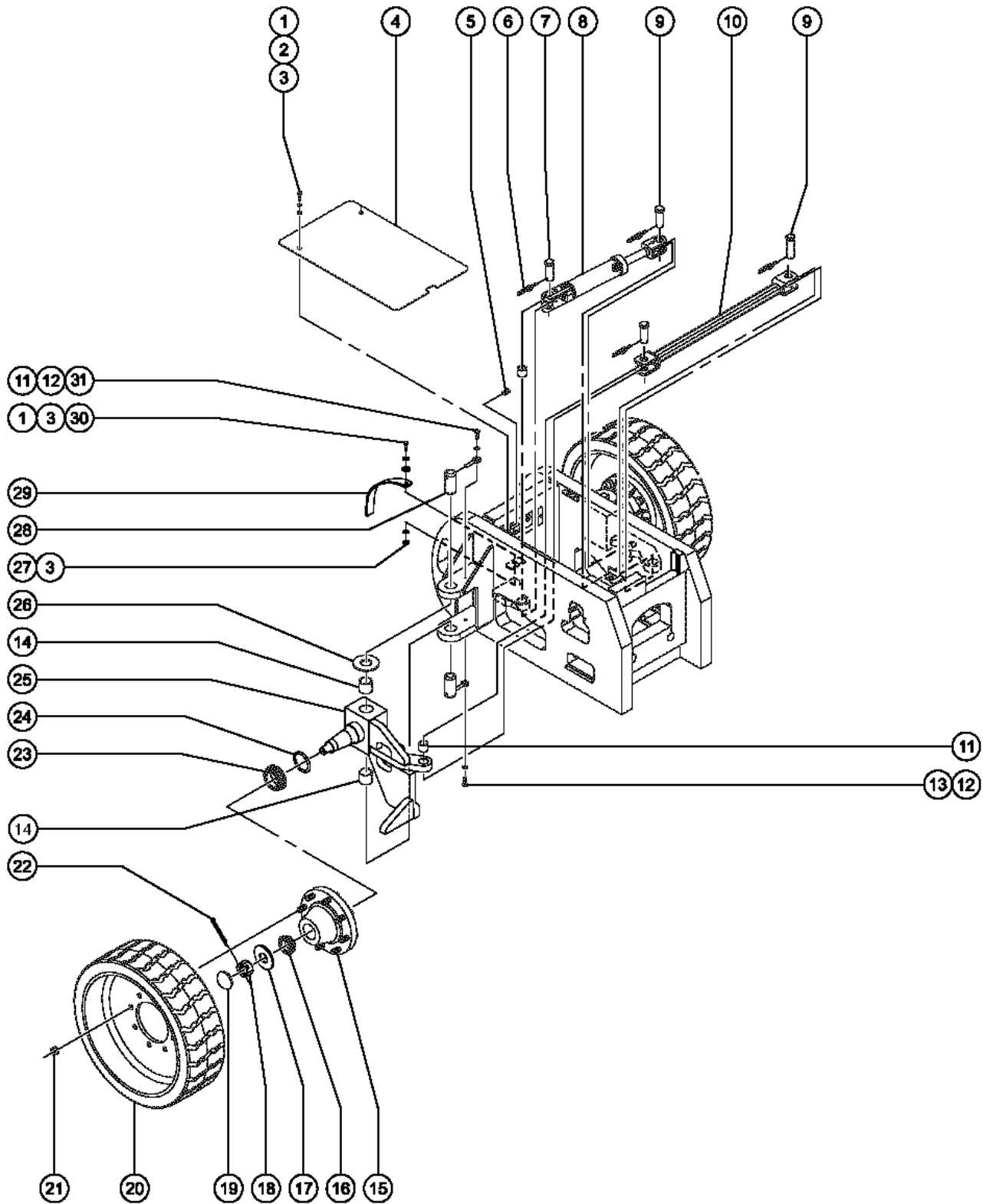


201.1 Steer Axle Linkage, Wheels and Hubs (to SN 5840)

Item	Part No.	Description	Qty.	Item	Part No.	Description	Qty.
1	74389	RUE RING 1.00.....	4	20	45111	CAP,DUST,45873 HUB KIT.....	2
2	32399	PIN,CLEVIS,1 X 3 LG.....	1	21	45113	NUT,SPINDLE,1-14.....	2
3	88337	CYLINDER,STEER,Z45,#4 PORT***	1	22	45114	PIN,COTTER,,219 X 1.75.....	2
--	48401	SEAL KIT,42406,STEER.CYL,TEXAS to SN 2787; verify part number prior to ordering		23	45112	WASHER,SPINDLE.....	2
--	59076	SEAL KIT,2.0" BORE CYLINDERS** from SN 2788 to SN 4446; verify part number prior to ordering		24	45108	OUTER CONE - MODEL 60-8.....	2
--	59169	SEAL KIT,2" BORE,1" ROD*** from SN 4447 to SN 5118; verify part number prior to ordering		25	74312	YOKE ASSY,LH,Z30NRJ.....	1
--	88338	SEAL KIT (88337)*** verify part number prior to ordering				<i>includes items 6 and 7</i>	
4	19440	PIN,CLEVIS,1 X 2.5 LG.....	3	26	96317	GROUND STRAP,12"LG***	1
5	45074	WASHER,THRUST,1.5 X 3.5 X .187.....	2	27	6888	SCREW,HHC,1/4-20 X 1	
6	45071	BEARING,1.5IDX1.75ODX1.5L.....	4	28	6638	WASHER,FLAT,USS,1/4"Y	
7	25817	BEARING,1.00IDX1.25ODX1.00L....	3	29	5397	WASHER,FLAT,USS,5/16",Y	
8	74313	YOKE ASSY,RH,Z30NRJ.....	1	30	6091	NUT,NYLOCK,1/4-20	
9		Ref. Steer Brake Manifold (refer to 701.1)		31	37100	COVER W/DECAL DR CHAS STR END.....	1
10	36163-S	TIE ROD,WELDMENT,Z30N**.....	1	32	6356	WASHER,LOCK,,25	
11	36211	PIN,1.50DIAX3.25LG,1HOLE.....	4	33	56912	SPRING CLIP,1/4-20,.025-.15X.5	
12	25284	ROD END,,375 X 2.25***	4				
--	45226	ROD END,,375 X 3.69					
13	77692	SCREW,HHC,3/8-16 X 1 GRD 8					
14	6021	WASHER,LOCK,,375					
15	45110	SEAL-GREASE,MODEL 60-8.....	2				
16	45107	INNER CONE - MODEL 60-8.....	2				
17	45043	HUB ASSEMBLY MODEL#60-8.....	2				
--	21166	LUG BOLT,5/8-18,WHEEL HUB***					
--	45873	SEAL/BEARING KIT (45043,54840) <i>includes races and items 15, 16, 23 and 24</i>					
18	54627	NUT,LUG,5/8-18 X 90 DEGREE,Z45.....	18				
19	56453	TIRE/WHL.ASSY,FRT W/TREA 103#*					
19	94908	TIRE & WHEEL ASSY,FRONT N-M.....	2				
		<i>non-marking</i>					



202.1 Steer Axle Linkage, Wheels and Hubs (from SN 5841)

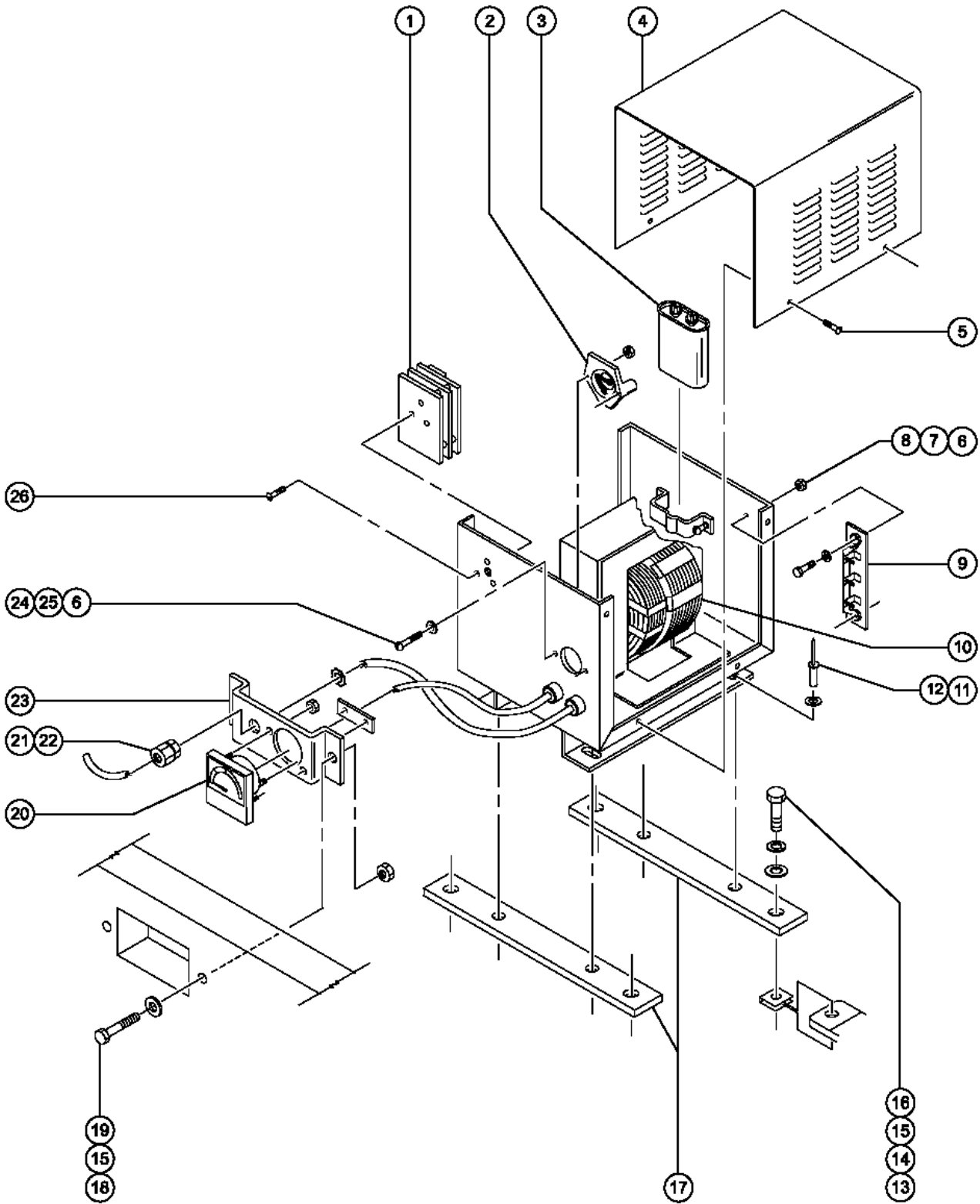


202.1 Steer Axle Linkage, Wheels and Hubs (from SN 5841)

Item	Part No.	Description	Qty.	Item	Part No.	Description	Qty.
1	6888	SCREW,HHC,1/4-20 X 1		--	74313	YOKE ASSY,RH,Z30NRJ <i>includes items 11 and 14</i>	
2	6356	WASHER,LOCK,,25		26	45074	WASHER,THRUST,1.5 X 3.5 X .187.....	2
3	6638	WASHER,FLAT,USS,1/4"Y		27	6091	NUT,NYLOCK,1/4-20	
4	37100	COVER W/DECAL DR CHAS STR END.....	1	28	36211	PIN,1.50DIAX3.25LG,1HOLE.....	4
--	106038	FRT COVER ASSY. W/SYM DECALS		29	96317	GROUND STRAP,12"LG***	1
5	56912	SPRING CLIP,1/4-20,.025-.15X.5		30	5397	WASHER,FLAT,USS,5/16",Y	
6	74389	RUE RING 1.00.....	4	31	45226	ROD END,.375 X 3.69.....	4
7	32399	PIN,CLEVIS,1 X 3 LG.					
8	88337	CYLINDER,STEER,Z45,#4 PORT***	1				
--	48401	SEAL KIT,42406,STEER.CYL,TEXAS <i>to SN 6032; verify part number prior to ordering</i>					
--	88338	SEAL KIT (88337)*** <i>from SN 6033; verify part number prior to ordering</i>					
9	19440	PIN,CLEVIS,1 X 2.5 LG.					
10	36163-S	TIE ROD,WELDMENT,Z30N**	1				
11	25817	BEARING,1.00IDX1.25ODX1.00L....	4				
12	6021	WASHER,LOCK,,375					
13	77692	SCREW,HHC,3/8-16 X 1 GRD 8					
14	45071	BEARING,1.5IDX1.75ODX1.5L					
15	45043	HUB ASSEMBLY MODEL#60-8..... <i>includes races and items 16, 19, 23 and 24</i>	2				
--	21166	LUG BOLT,5/8-18,WHEEL HUB***					
--	45873	SEAL/BEARING KIT (45043,54840) <i>includes races and items 16, 19, 23 and 24</i>					
16	45108	OUTER CONE - MODEL 60-8.....	2				
17	45112	WASHER,SPINDLE.....	2				
18	45113	NUT,SPINDLE,1-14.....	2				
19	45111	CAP,DUST,45873 HUB KIT.....	2				
20	94908	TIRE & WHEEL ASSY,FRONT N-M.....	2				
21	54627	NUT,LUG,5/8-18 X 90 DEGREE,Z45.....	18				
22	45114	PIN,COTTER,.219 X 1.75					
23	45107	INNER CONE - MODEL 60-8.....	2				
24	45110	SEAL-GREASE,MODEL 60-8.....	2				
25	74312	YOKE ASSY,LH,Z30NRJ..... <i>includes items 11 and 14</i>	1				



203.1 Battery Charger (to SN 3446)

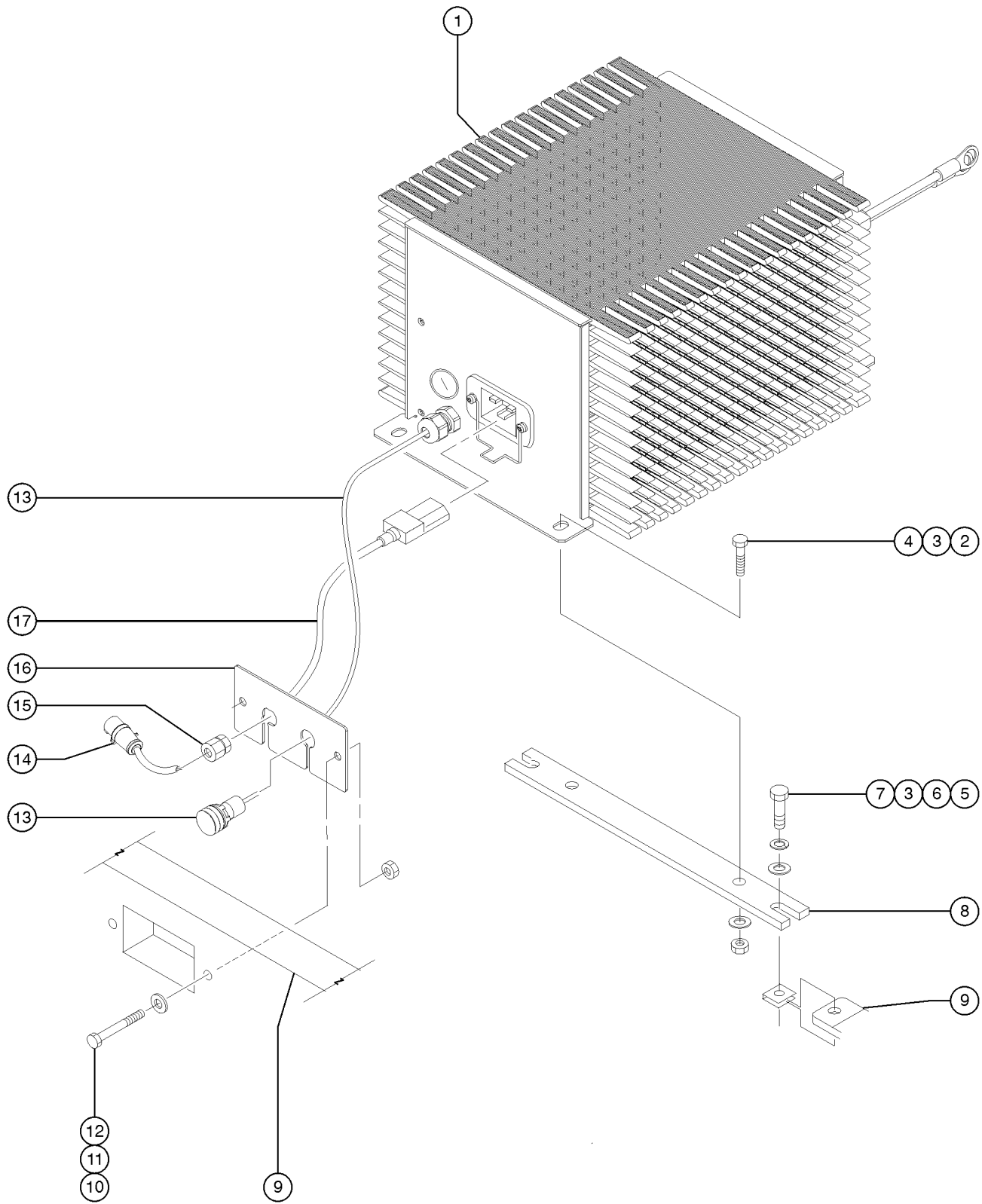


203.1 Battery Charger (to SN 3446)

Item	Part No.	Description	Qty.	Item	Part No.	Description	Qty.
--	101703	CHARGER,48V,100-125VAC,50H,25A		10	40398	TRNSFRMR(36316 &17)(41898 &99).....	1
--	128375	CHARGER 48V/30A AUTO AC X-LED		--	40523	TRANSFORMER,CHARGER36314/41896	
--	128648	SPECS BATTERY CHARGER 48V/30A		--	40524	TRANSFORMER,CHARGER36315/41897	
--	128993	KIT,UNIV CHRGR UPGRADE,SM BOOM <i>from SN 3447 to 11944</i>		11	12037	RIVET,STL,STL,P,.25 X .5	
--	133286	DECAL, POWER TO CHARGER, UNIV		12	56660	WASHER,RIVETING	
--	139360	OPTION,CHARGER,UNIVERSAL Z30N <i>from SN 11944</i>		13	6888	SCREW,HHC,1/4-20 X 1	
--	139858	HARN.CHARGER INTERLOCK Z34 <i>for 128375</i>		14	6356	WASHER,LOCK,.25	
--	54794	CHARGER,48V,110VAC,60H,25A <i>Replaced by 128993 on SN 3447 to 11944</i>		15	6638	WASHER,FLAT,USS,1/4"Y	
--	54795	CHARGER,48V,200-250VAC,50H,25A <i>Replaced by 128993 on SN 3447 to 11944</i>		16	56912	SPRING CLIP,1/4-20,.025-.15X.5	
--	54796	CHARGER,48V,200-250VAC,60H,25A <i>Replaced by 128993 on SN 3447 to 11944</i>		17	36269	PLATE,CHARGER MOUNT.....	1
--	54797	CHARGER,48V,100-125VAC,60H,25A <i>Replaced by 128993 on SN 3447 to 11944</i>		18	36294	SCREW,HHC,1/4-20 X 2.75	
--	58494	CHARGER,48V,110/60,12A,EERATNG <i>Replaced by 128993 on SN 3447 to 11944</i>		19	6091	NUT,NYLOCK,1/4-20	
1	27263	TIMER (23442)(41896)(36314)..... <i>for Genie part number 54794</i>	1	20	13008-5	AMMETER-BOOM CHARGER.....	1
--	18078	RELAY,CHARGER TIMER		21	7056	CONN,SQUEEZE,1/2NPT .38-.50,SM.....	1
--	19533	RELAY,CHARGER .TIMER(19531/32)		22	6935	LOCKNUT,ELEC,1/2".....	1
--	27830	TIMER(24059,41897,41898,41899)		23	36313	BRACKET,CHARGER GAUGE MOUNTING.....	1
2	13008-6	FUSE ASSY-BOOM CHARGER.....	1			<i>incorporated into chassis after SN 3368</i>	
3	13008-3	CAPACITOR,6 MFD,660VAC-CHARGR*.....	1	24	40533	SCREW,FUSE ASSY,#7 PHMS X .625	
4	40532	CASE COVER ONLY 18710/18720.....	1	25	40534	WASHER,LOCK,#10, CHARGER FUSE	
5	40537	SCREW,CHARGER COVER,#10 X .5		26	40536	SCREW,TIMER,#8 PHMS X.375	
6	6178	NUT,NYLOCK,10-32					
7	6146	WASHER,FLAT,MS,#10,Y					
8	40538	SCREW,HEATSINK/DIODE ASSY					
9	27262	HEATSINK ASSY W/DIODES (23442).....	1				



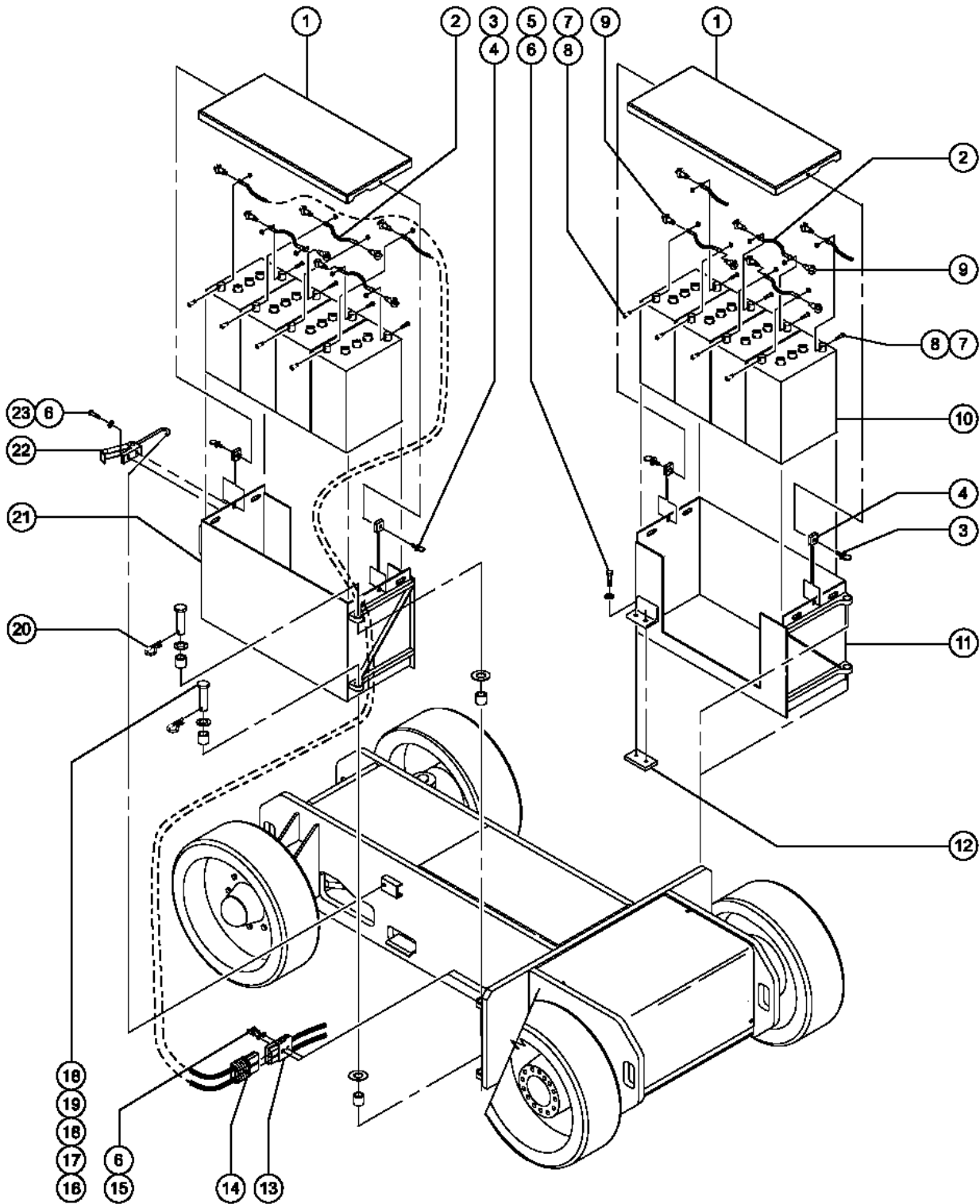
203.2 Battery Charger (from SN 3447)



203.2 Battery Charger (from SN 3447)

Item	Part No.	Description	Qty.
1	128375	CHARGER 48V/30A AUTO AC X-LED.....1 (includes item 13)	1
--	133286	DECAL, POWER TO CHARGER, UNIV.....1	1
--	139858	HARN.CHARGER INTERLOCK Z34.....1	1
--	228946	ASSY,LED,IES CHARGER	
--	228947	CLIP,RETAINING,IES CHARGER	
2	6090	SCREW,HHC,1/4-20 X .75	
3	6638	WASHER,FLAT,USS,1/4"Y	
4	6889	NUT,LP NYLOCK,1/4-20	
5	6888	SCREW,HHC,1/4-20 X 1	
6	6356	WASHER,LOCK,.25	
7	56912	SPRING CLIP,1/4-20,.025-.15X.5	
8	36673	PLATE,CHARGER MOUNT.....2 (Z30N)	2
9		Ref. Chassis (refer to section 200)	
10	6326	SCREW,HHC,3/8-16 X 3	
11	6097	WASHER,FLAT,USS,3/8",Y	
12	4828	NUT,NYLOCK,3/8-16	
13	228973	KIT,ASSY,LED,IES CHARGER.....1	1
14A	36511	OPTION,US 110V PLUG,UNI CHGR.....1	1
14B	144161	PLUG,PWR,UK,16AMP,3PIN,BLK	
14C	25388	PLUG,FUSED,250V,13AMP,U.K.**	
15A	128118	BUSHING,STRAIN RELIEF,.875/.40 (domestic)	
15B	139318	BUSHING,STRAIN RELIEF,.875/.30 (UK)	
16	128825	BRACKET, CHARGER CORD AND LED	
17A	128377	CORD AC IEC320-C19 TO 110US	
17B	128376	CORD EURO AC IEC320-C19PIGTAIL	
17C	128615	CORD US AC IEC320-19 PIGTAIL	

204.1 Battery Packs (to SN 5840)

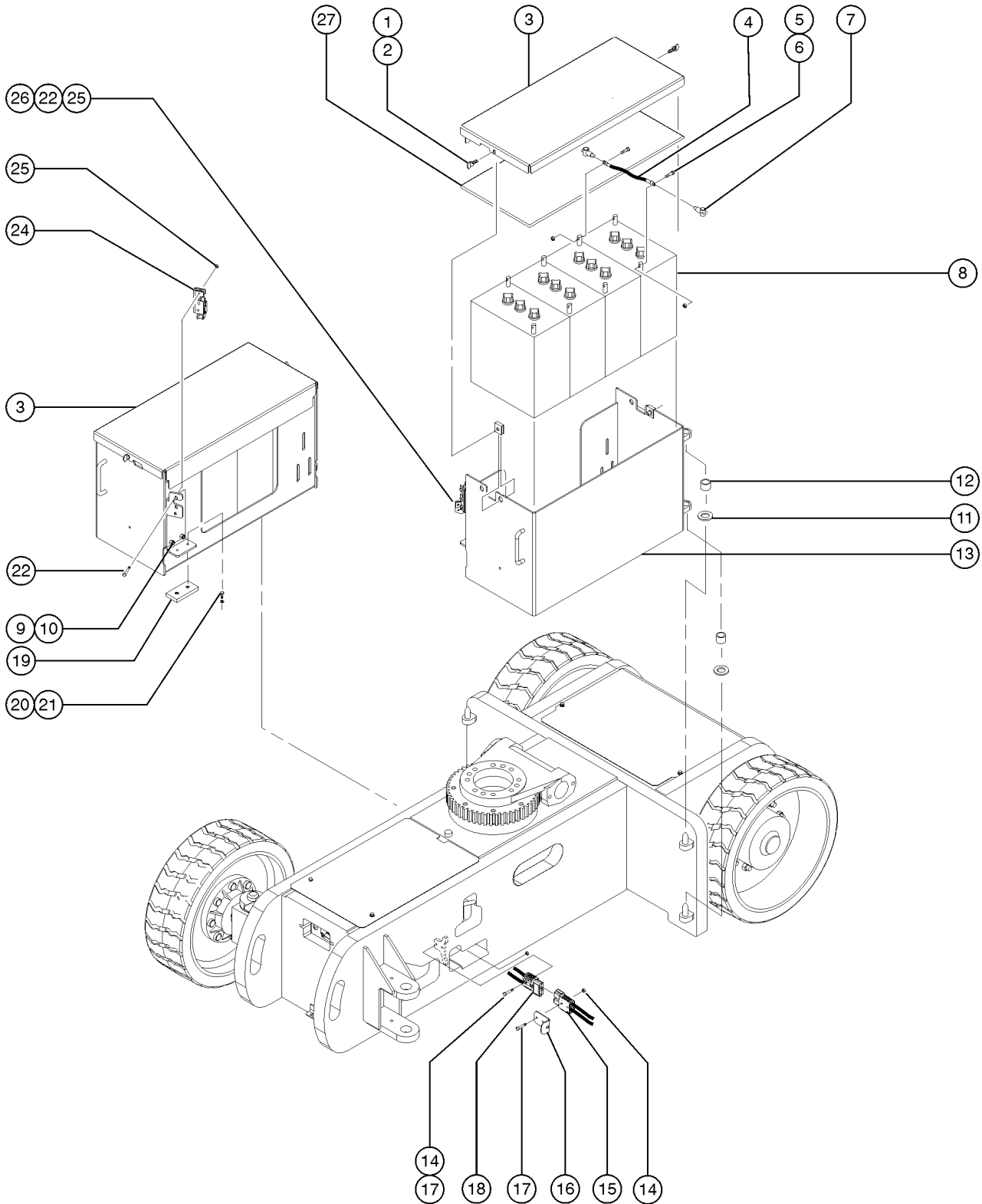


204.1 Battery Packs (to SN 5840)

Item	Part No.	Description	Qty.	Item	Part No.	Description	Qty.
1	37104	COVER,BATTERY BOX W/DECALS,30N.....	2	--	45382	SHIM,PRIMARY BOOM,.052 THK.....	as-needed
2	74103	CABLE ASSY,#2 BLACK.....	6	--	45465	SHIM,PRIMARY BOOM,.022 THICK.....	as-needed
3	36424	THUMB SCREW W/SHOULDER 3/8-16.....	4	--	74436	BATT.BOX ASSEMBLY,LS,30N.....	1 <i>includes items 3-6, 12, 18, 22 and 23; from SN 2845</i>
4	29868	SPRING CLIP,3/8-16.....	4	22	27126	LATCH,DRAW,ADJUSTABLE.....	2
5	6090	SCREW,HHC,1/4-20 X .75		23	7339	SCREW,HHC,1/4-20 X .5	
6	6356	WASHER,LOCK,.25					
7	13002	SCREW,HHC,5/16-18 X 1 GR5					
8	18503	NUT,LOCKING-LG.FLANGE,5/16-18					
9	8910	BOOT,CABLE TERM,MED.RED,4/0.....	16				
10	36579	BATTERY, 350AH,GROUP L16 (DRY).....	8				
11	37103	BATTERY BOX ASSY W/DECALS RS.....	1 <i>includes items 3-6, 12, 18, 22 and 23; to SN 2844</i>				
--	45382	SHIM,PRIMARY BOOM,.052 THK.....	as-needed				
--	45465	SHIM,PRIMARY BOOM,.022 THICK.....	as-needed				
--	74437	BATT.BOX ASSEMBLY,RS,30N.....	1 <i>includes items 3-6, 12, 18, 22 and 23; from SN 2845</i>				
12	45209	WEAR PAD,4X2X.5 W/INSERT***	2				
13	36576	POWER CABLE ASSEMBLY,LS-Z30N.....	1				
--	128138	CONN HOUSING SBX175, BATT					
--	36577	POWER CABLE ASSEMBLY, RS-Z30N					
14	37107	BAT.CABLE ASSY,G.C. SIDE,Z34.....	1				
--	128138	CONN HOUSING SBX175, BATT					
--	37108	BAT.CABLE ASSY,TANK SIDE,Z34					
15	6888	SCREW,HHC,1/4-20 X 1					
16	36875	PIN,CLEVIS,.75 X 2.25 LG					
17	6563	WASHER,SHIM,.75 X 1.125 X.030					
18	36369	BEARING,0.75IDX1.00ODX0.75L					
19	36212	WASHER,THRUST,.75 X 1.38X.13					
20	21253	CLIP,HAIR PIN .125 X 2					
21	37103	BATTERY BOX ASSY W/DECALS RS.....	1 <i>includes items 3-6, 12, 18, 22 and 23; to SN 2844</i>				



205.1 Battery Packs (from SN 5841)

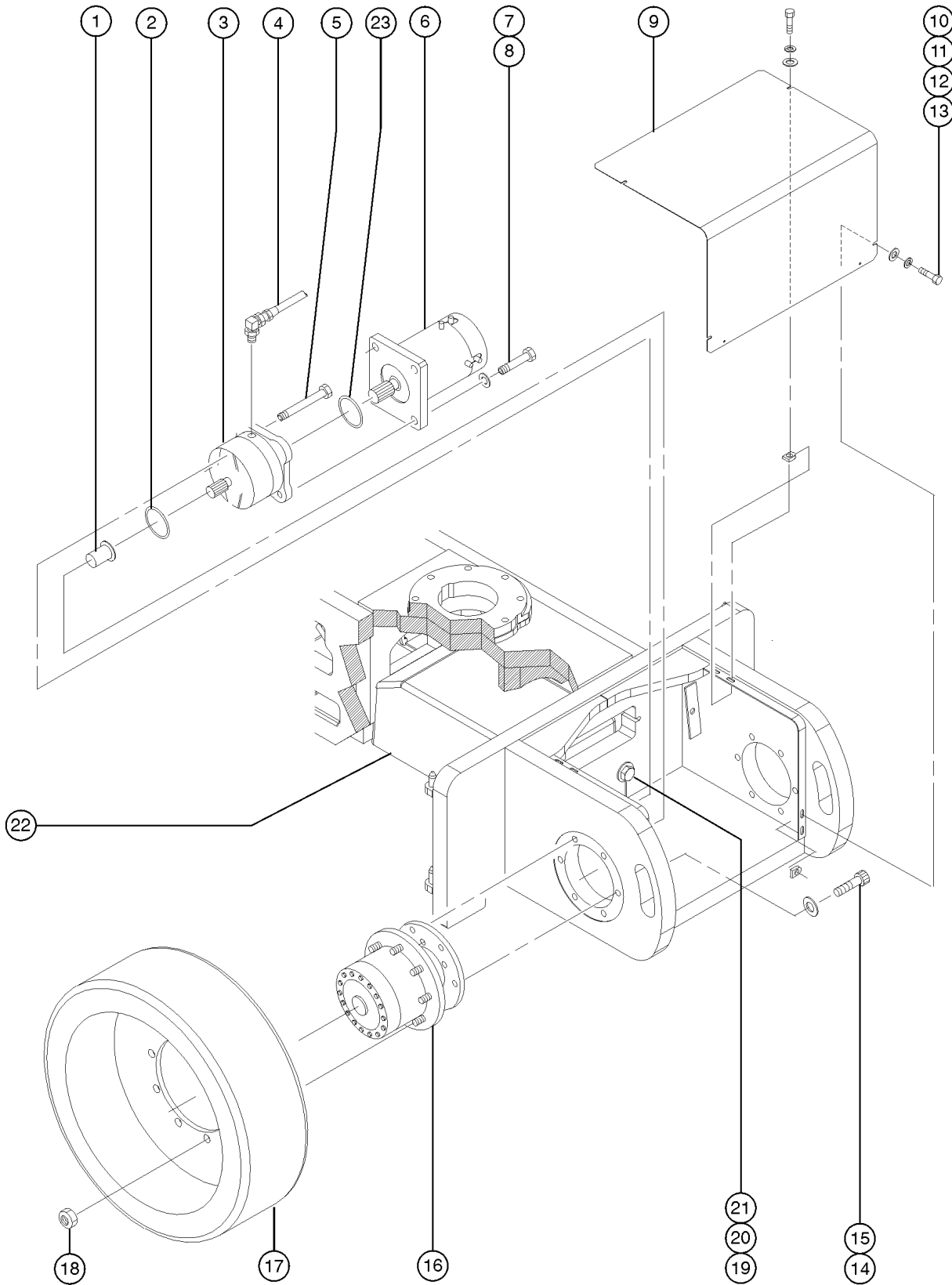


205.1 Battery Packs (from SN 5841)

Item	Part No.	Description	Qty.	Item	Part No.	Description	Qty.
1	36424	THUMB SCREW W/SHOULDER 3/8-16.....	4	24	66900	LATCH,ROTARY, W/KNOB, LEFT.....	1
2	29868	SPRING CLIP,3/8-16.....	4			<i>right side</i>	
3	94001	LID-BATTERY BOX W/DECALS**....	1	25	6002	NUT,LP NYLOCK,5/16-18	
3A	106025	LID,BATT PACK, W/SYM DECALS		26	66901	LATCH,ROTARY,W/KNOB,RIGHT....	1
3B	823684	BATTERY,AGM,6V/390A,L16.....	8			<i>left side</i>	
		<i>models with AGM option from SN 14146</i>		27	106241	INSULATION,48V BATT.BOX LID.....	2
4		Ref. Cable Assemby (Refer to 210.1)				<i>models with AGM option from SN 14146</i>	
5	13002	SCREW,HHC,5/16-18 X 1 GR5					
6	18503	NUT,LOCKING-LG.FLANGE,5/16-18					
7	8910	BOOT,CABLE TERM,MED.RED,4/0.....	16				
8	36579	BATTERY, 350AH,GROUP L16 (DRY).....	8				
9	101718	BOLT,CARRIAGE,3/8-16 X .75,G2					
10	4828	NUT,NYLOCK,3/8-16					
11	36212	WASHER,THRUST,.75 X 1.38X.13					
12	36369	BEARING,0.75IDX1.00ODX0.75L					
13A	94002	BATTERY BOX ASSY,TANK SIDE DWN.....	1				
		<i>(includes items 12, 19-22, 24 and 25) to SN 14848</i>					
13B	161940	BATTERY BOX ASSY, RH.....	1				
		<i>(includes item 12) (decals not included, refer to section one) from SN 14849</i>					
14	66094	NUT-THIN HEAVY HEX, 1/4-20					
15	94012	BATTERY CABLE ASSEMBLY.....	2				
16	74651	FORMING,HANDLE BATTERY CONN.....	2				
17	8915	SCREW,HHC,1/4-20 X 1.25					
18	94011	BATTERY CABLE ASSEMBLY					
19	45209	WEAR PAD,4X2X.5 W/INSERT***	2				
20	6090	SCREW,HHC,1/4-20 X .75					
21	6356	WASHER,LOCK,.25					
22	101719	SCREW,HHC,5/16-18 X 1.375					
23A	94003	BATTERY BOX ASSY,CONTRL SIDE.....	1				
		<i>(includes items 12, 19-22, 24 and 25) to SN 14848</i>					
23B	161941	BATTERY BOX ASSY, LH.....	1				
		<i>(includes item 12) (decals not included, refer to section one) from SN 14849</i>					



206.1 Non-steer Axle



206.1 Non-steer Axle

Item	Part No.	Description	Qty.	Item	Part No.	Description	Qty.
1	38113	COUPLER,INTERNAL SPLINE,T-HUB.....	2	--	52900	BEARING KIT-AUSCO(56272)*** <i>for Ausco brake 54861; used from SN 5054 to 6630</i>	
2	52087	O-RING,2-044 BUNA***.....	2				
3A	114319	KIT,Z30N BRAKE SERVICE (3).....	2	--	83022	SEAL KIT, 54861 <i>for Ausco brake 54861; used from SN 5054 to 6630</i>	
		<i>from SN 1932 to 3446</i>					
--	105352	GASKET, BRAKE (VENDOR#78917)		4		Ref. Hydraulic Hoses and Fittings <i>(refer to 801.1)</i>	
--	119556	BRAKE,MICO DRIVE,Z30N,Z34 ** <i>for use after installation of above listed kit</i>		5	74137	SCREW,SHC,1/2-13 X 3.25.....	4
--	35587	SEAL KIT,MICO BRAKE <i>for 36259 brake (no longer available)</i>		--	50576	SCREW,SHC,1/2-13 X 3.00	
--	38114	LINING KIT, MICO BRAKE** <i>for 119556</i>		6A	36443	MOTOR,TRACTION,D.C.**	2
--	38115	BEARING KIT, MICO BRAKE <i>for 119556</i>				<i>from SN 1932 to 3446</i>	
--	41921	SEAL KIT,BRAKE,MICO <i>for 36259 brake (no longer available)</i>		--	36658	BRUSH HOLDER	
--	72319	SPRING (RED) MICO <i>for 119556</i>		--	37188	BRUSH, MOTOR	
3B	139351	BRAKE, NEMA, 1200 IN/LB.....	2	--	37189	SPRING, BRUSH	
		<i>from SN 3447; for first-time replacement, order in pairs only</i>		--	37190	BEARING, MOTOR	
--	105352	GASKET, BRAKE (VENDOR#78917)		6B	56831	MOTOR SEPEX 9".....	2
--	139352	BEARING KIT, AUSCO 1200 IN/LB <i>for 139351</i>				<i>from SN 3447 to 6317</i>	
--	139353	STACK KIT, AUSCO 1200 IN/LB <i>for 139351</i>		--	37190	BEARING, MOTOR	
--	139354	O-RING KIT, AUSCO 1200 IN/LB <i>for 139351</i>		--	65872	BRUSH LEAD ASSEMBLY KIT(56831)	
--	139355	GASKET KIT, AUSCO 1200 IN/LB <i>for 139351</i>		--	72078	BRUSH BOX ASSY	
--	65618	SEAL KIT,BRAKE*** <i>for 101966 brake</i>		--	T108887	SPRING, BRUSH	
--	94879	LINING KIT*** <i>for 101966 brake</i>		--	94315	BRUSH KIT,GE DRIVE MOTOR*** <i>for motor 94199</i>	
--	94880	BEARING KIT <i>for 101966 brake; includes shaft seal</i>		--	94316	BRUSH RETAINING SPRING,DR MTR <i>for motor 94199</i>	
3C		Other Brake Service Parts		--	94317	BEARING KIT,GE DRIVE MOTOR*** <i>for motor 94199</i>	
--	52833	LINING KIT-AUSCO BRK (56272)** <i>for Ausco brake 54861; used from SN 5054 to 6630</i>		--	T108813	KIT, 94199 MOTOR REPLACEMENT.....	1
--	52898	SEAL KIT-AUSCO BRAKE(56272)*** <i>for Ausco brake 56014; used from SN 3875 to 5053</i>				<i>from SN 6318 to 12304; for first-time replacement of motor 94199 (94199 is no longer available. This kit contains qty 2 of 56831; 94199 cannot be mixed with 56831). For service parts, refer to item 6D, below.</i>	
--	52899	LINING KIT-AUSCO <i>for Ausco brake 56014; used from SN 3875 to 5053</i>		6D	56831	MOTOR SEPEX 9".....	2
						<i>from SN 12305</i>	
				--	37190	BEARING, MOTOR	
				--	65872	BRUSH LEAD ASSEMBLY KIT(56831)	
				--	72078	BRUSH BOX ASSY	
				--	T108887	SPRING, BRUSH	



206.1 Non-steer Axle
(continued)

Item	Part No.	Description	Qty.	Item	Part No.	Description	Qty.
7	6019	SCREW,HHC,3/8-16 X 1.25 GRD 5		16B	56338	TORQUE HUB,47:1 W1 "B" MOUNT**	2
8	6021	WASHER,LOCK,,375				<i>From SN 2963 to SN 3446; Verify Hub part number and ratio before ordering</i>	
9A	40169	COVER W/DECALS NON-STEER 23"	1	--	21142	SEAL KIT (W1B) TORQUE HUBS	
		<i>to SN 11445</i>				<i>From SN 2963 to SN 3446; Verify Hub part number and ratio before ordering</i>	
9B	106039	REAR CVR ASSY. W/SYM DECALS		--	21143	BEARING KIT (45553) TORQUE HUB	
		<i>to SN 11445</i>				<i>From SN 2963 to SN 3446; Verify Hub part number and ratio before ordering</i>	
9C	128732	COVER, DRIVE CHASSIS,Z30N		--	21144	CAP,DISENGAGE-45553 TORQUE HUB	
		<i>(decals not included, refer to section 100) from SN 11446</i>				<i>From SN 2963 to SN 3446; Verify Hub part number and ratio before ordering</i>	
10	6888	SCREW,HHC,1/4-20 X 1		--	21148	WASHER,THRUST,TORQUE HUB	
11	6356	WASHER,LOCK,,25				<i>From SN 2963 to SN 3446; Verify Hub part number and ratio before ordering</i>	
12	6638	WASHER,FLAT,USS,1/4"Y		--	21149	LUG,WHEEL STUD,5/8-18,W1/4HB**	
13	56912	SPRING CLIP,1/4-20,.025-.15X.5				<i>From SN 2963 to SN 3446; Verify Hub part number and ratio before ordering</i>	
14	45495	SCREW,SHC,5/8-11 X 3.00,A574	12	--	37097	O-RING, TORQUE HUB	
15	56911	WASHER,FLAT,.688X1.160X.09	12			<i>From SN 2963 to SN 3446; Verify Hub part number and ratio before ordering</i>	
16A	36260	TORQUE HUB 49:1**	2	--	58448	KIT,TORQUE HUB COVER (45553)**	
		<i>to SN 2962; Verify part number and ratio before ordering</i>				<i>From SN 2963 to SN 3446; Verify Hub part number and ratio before ordering</i>	
--	21142	SEAL KIT (W1B) TORQUE HUBS		--	74098	COVER-CAP, TORQUEHUB(56338)	
		<i>to SN 2962; Verify part number and ratio before ordering</i>				<i>From SN 2963 to SN 3446; Verify Hub part number and ratio before ordering</i>	
--	21143	BEARING KIT (45553) TORQUE HUB		--	74099	DISCONNECT ROD (56338)	
		<i>to SN 2962; Verify part number and ratio before ordering</i>				<i>From SN 2963 to SN 3446; Verify Hub part number and ratio before ordering</i>	
--	21144	CAP,DISENGAGE-45553 TORQUE HUB		16C	20193	TORQUE HUB,35:1***	2
		<i>to SN 2962; Verify part number and ratio before ordering</i>				<i>Option; from SN 2963 to SN 3446; Verify Hub part number and ratio before ordering</i>	
--	21145	DISCONNECT ROD-45553 TQ.HUB		--	21142	SEAL KIT (W1B) TORQUE HUBS	
		<i>to SN 2962; Verify part number and ratio before ordering</i>				<i>Option; from SN 2963 to SN 3446; Verify Hub part number and ratio before ordering</i>	
--	21146	COVER CAP,TORQUE HUB***		--	21143	BEARING KIT (45553) TORQUE HUB	
		<i>to SN 2962; Verify part number and ratio before ordering</i>				<i>Option; from SN 2963 to SN 3446; Verify Hub part number and ratio before ordering</i>	
--	21148	WASHER,THRUST,TORQUE HUB		--	21144	CAP,DISENGAGE-45553 TORQUE HUB	
		<i>to SN 2962; Verify part number and ratio before ordering</i>				<i>Option; from SN 2963 to SN 3446; Verify Hub part number and ratio before ordering</i>	
--	21149	LUG,WHEEL STUD,5/8-18,W1/4HB**				<i>Option; from SN 2963 to SN 3446; Verify Hub part number and ratio before ordering</i>	
		<i>to SN 2962; Verify part number and ratio before ordering</i>					
--	37097	O-RING, TORQUE HUB					
		<i>to SN 2962; Verify part number and ratio before ordering</i>					
--	58448	KIT,TORQUE HUB COVER (45553)**					
		<i>to SN 2962; Verify part number and ratio before ordering</i>					

206.1 Non-steer Axle

Item	Part No.	Description	Qty.	Item	Part No.	Description	Qty.
--	21145	DISCONNECT ROD-45553 TQ.HUB <i>Option; from SN 2963 to SN 3446; Verify Hub part number and ratio before ordering</i>		--	74442	STUD-WHEEL,5/8-18 (56828)*** <i>For 56828; from SN 3446 to SN 6560. Verify Hub part number and ratio before ordering</i>	
--	21146	COVER CAP,TORQUE HUB*** <i>Option; from SN 2963 to SN 3446; Verify Hub part number and ratio before ordering</i>		--	74443	O-RING, COVER 190X3MM (56828) <i>For 56828; from SN 3446 to SN 6560. Verify Hub part number and ratio before ordering</i>	
--	21148	WASHER,THRUST,TORQUE HUB <i>Option; from SN 2963 to SN 3446; Verify Hub part number and ratio before ordering</i>		--	89323	COVER, DRIVE HUB <i>For 56828; from SN 3446 to SN 6560. Verify Hub part number and ratio before ordering</i>	
--	21149	LUG,WHEEL STUD,5/8-18,W1/4HB** <i>Option; from SN 2963 to SN 3446; Verify Hub part number and ratio before ordering</i>		16E	94911	WHEEL DRIVE,EW1,61:1***2 <i>from SN 6561 to SN 7039. Verify Hub part number and ratio before ordering</i>	
--	37097	O-RING, TORQUE HUB <i>Option; from SN 2963 to SN 3446; Verify Hub part number and ratio before ordering</i>		--	72307	SEAL KIT, TORQUE HUB(74097)* <i>from SN 6561 to SN 7039. Verify Hub part number and ratio before ordering</i>	
--	58438	KIT,COVER,TORQUE HUB,45553*** <i>Option; from SN 2963 to SN 3446; Verify Hub part number and ratio before ordering</i>		--	74714	BEARING KIT-74097 TORQUE HUB** <i>from SN 6561 to SN 7039. Verify Hub part number and ratio before ordering</i>	
--	58589	THRUST CAP (20193) <i>Option; from SN 2963 to SN 3446; Verify Hub part number and ratio before ordering</i>		16F	106445	WHEEL DRIVE,4HB,57:1***2 <i>from SN 7040. Check serial number on torque hub cap before replacing, both drive hubs have to be the same or damage may occur due to differing gear ratios.</i>	
16D	56828	WHEEL DRIVE 62.5:1***2 <i>from SN 3446 to SN 6560</i>		--	106121	ROD,DISCONNECT 4HP/4HB*** <i>from SN 7040. for 106445</i>	
--	62300	BEARING KIT (56828) <i>For 56828; from SN 3446 to SN 6560. Verify Hub part number and ratio before ordering</i>		--	106122	CAP,DISENGAGE,4HP/4HB*** <i>from SN 7040. for 106445</i>	
--	65824	SEAL KIT*** <i>For 56828; from SN 3446 to SN 6560. Verify Hub part number and ratio before ordering</i>		--	106123	O-RING,END COVER,4HP/4HB*** <i>from SN 7040. for 106445</i>	
--	74439	COVER,DISCONNECT ROD* <i>For 56828; from SN 3446 to SN 6560. Verify Hub part number and ratio before ordering</i>		--	106508	SEAL KIT,WHEEL DRIVE,4HB*** <i>from SN 7040. for 106445</i>	
--	74440	ACTUATOR-DISC. ROD (56828) <i>For 56828; from SN 3446 to SN 6560. Verify Hub part number and ratio before ordering</i>		--	21149	LUG,WHEEL STUD,5/8-18,W1/4HB** <i>from SN 7040. for 106445</i>	
--	74441	DISCONNECT ROD (56828) <i>For 56828; from SN 3446 to SN 6560. Verify Hub part number and ratio before ordering</i>		--	232486	SNAP RING,WHEEL DRIVE <i>from SN 7040. for 106445</i>	
				--	58320	KIT,TORQUE HUB COVER(101584)** <i>from SN 7040. for 106445</i>	
				--	94912	BEARING KIT,EW1/4HB*** <i>from SN 7040. for 106445</i>	
				17	56454	TIRE/WHEEL.ASSY,REAR TREADED**	
				17	94909	TIRE & WHEEL ASSY,REAR N-M non-marking	

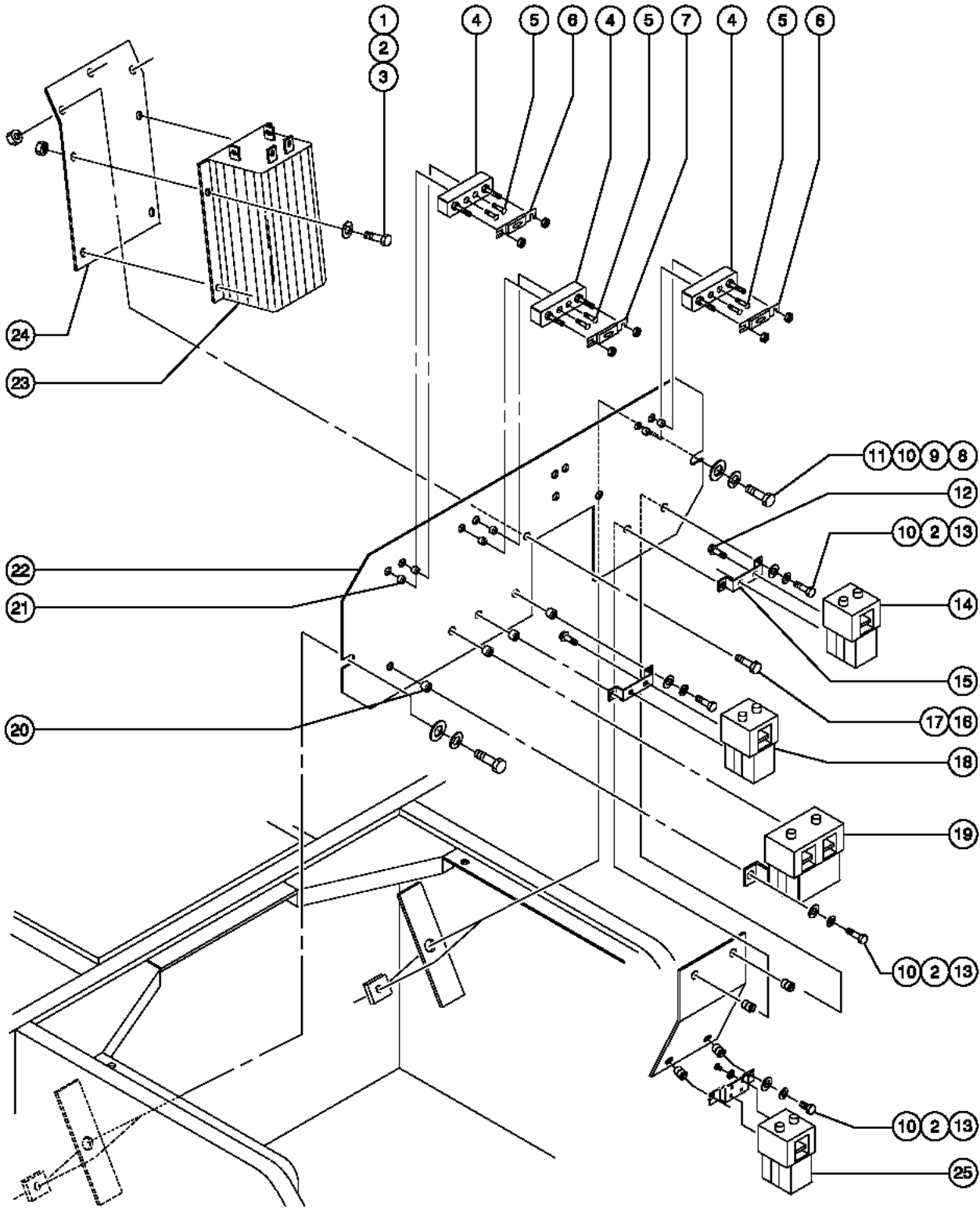


206.1 Non-steer Axle
(continued)

Item	Part No.	Description	Qty.
18	54627	NUT,LUG,5/8-18 X 90 DEGREE,Z45.....	18
19	35496	SCREW,HHC,1-8 X 30 GRD.2	
20	13775	WASHER,FLAT,1.063 X 2 X .134	
21	29764	NUT,NYLOCK,1-8	
22	36612	COUNTERWEIGHT,CAST,645 LBS.....	1
23A	22811	O-RING,MOTOR TO BRAKE*** (Mico brake, 36259)	
23B	52087	O-RING,2-044 BUNA*** (Mike brake, 119556)	

This Page Intentionally Left Blank

207.1 Electronic Control Module (to SN 3446)

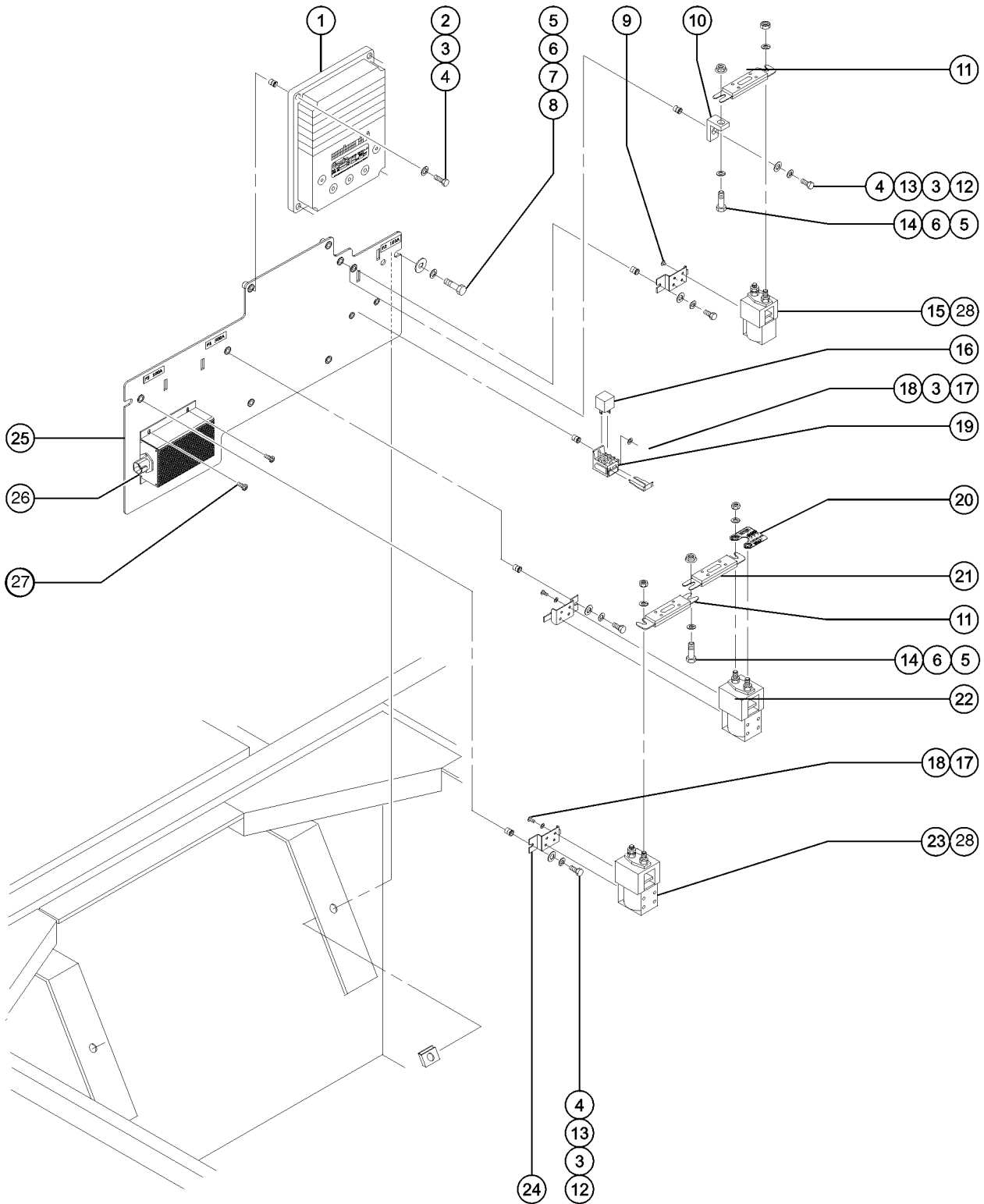


207.1 Electronic Control Module (to SN 3446)

Item	Part No.	Description	Qty.	Item	Part No.	Description	Qty.
1	6090	SCREW,HHC,1/4-20 X .75		23	23314	CONTROLL.36V/48V,DC MTR.SPD.....	1
2	6356	WASHER,LOCK,.25		24	36268P	PLATE,POWER SUPPLY MOUNT BLUE.....	1
3	6091	NUT,NYLOCK,1/4-20		25	74268	CONTACTOR,AUX PUMP 24V,80A***.....	1
4	74446	FUSE HOLDER ASSEMBLY.....	3	--	22262	CONTACT,MOVING,19549RELAY	
--	6638	WASHER,FLAT,USS,1/4"Y		--	22263	CONTACT,STATIONARY,19549RELAY	
--	66717	FUSE BLOCK, ANN & ANL FUSE		--	74495	SPRING, RETURN (FOR 74268)	
--	6782	NUT,NYLOCK,5/16-18					
5	17626	SCREW,FHM,10-32 X .75					
6	36355	FUSE,100 AMP,VERY FAST ACTING.....	1				
7	43179	FUSE,500 AMP,VERY FAST ACTING.....	1				
8	13002	SCREW,HHC,5/16-18 X 1 GR5					
9	6886	WASHER,LOCK,.313					
10	5397	WASHER,FLAT,USS,5/16",Y					
11	36456	SPRING CLIP, 5/16-18					
12	19816	M4 X 0.7 X 8MM RHMS					
13	7339	SCREW,HHC,1/4-20 X .5					
14	74266	CONTACTOR,LIFT PUMP 24V 180A.....	1				
--	62695	CONTACT,STATIONARY (56434)					
--	62696	CONTACT-MOVEABLE (56434)					
--	74471	SPRING,RETURN (74266)					
15	19815	BRACKET, RELAY MOUNTING.....	1				
16	18506	5/16-18 X .75 LG.FLG.LCK.SCREW					
17	18503	NUT,LOCKING-LG.FLANGE,5/16-18					
18	74267	CONTACTOR,DRIVE,24V,180A***...1					
--	22264	CONTACT,MOVEABLE,19550 RELAY					
--	22265	CONTACT,STATIONRY,19550 RELAY					
--	23845	SPRING,RETURN					
--	74282	DUST SHIELDS,180A CONTACTOR					
19	23417	CONTACTOR,2X SPDT,24V/DC.....	1				
--	23845	SPRING,RETURN					
--	27419	CONTACT,MOVING (SW181 & SW182)					
--	49871	STATIONARY CONTACT (23417)					
20	23404	NUTSERT,1/4-20,STEEL CAD PLTD					
21	23405	NUTSERT,10-32 STEEL CAD PLTD					
22	62297	Relay Panel Assembly.....	1				



208.1 Electronic Control Module (from SN 3447)

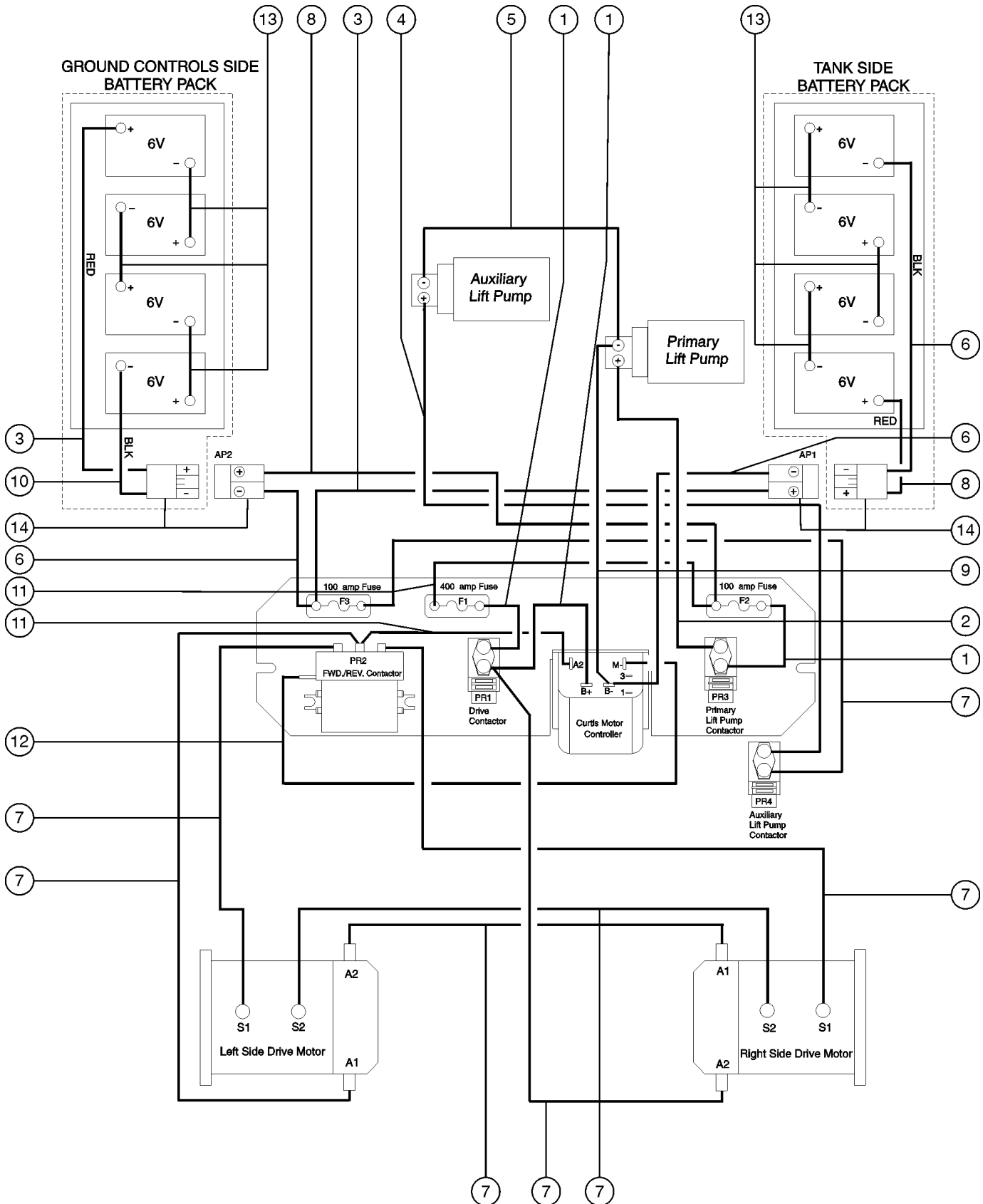


208.1 Electronic Control Module (from SN 3447)

Item	Part No.	Description	Qty.	Item	Part No.	Description	Qty.
--	128551	PROGRAMMER PMC1311M-1101 USER		18	23405	NUTSERT,10-32 STEEL CAD PLTD	
--	56029	CONNECTOR,MOLEX 24-WAY		19	61226	RELAY SOCKET,70AMP.....1	
--	56030	TERMINAL,MOLEX 16 GAUGE		20	56930	DIODE,PCB DRIVE CONTACTOR.....1	
--	56561	TOOL,TERMINAL CRIMPER,MOLEX***		21	43179	FUSE,500 AMP,VERY FAST ACTING.....1	
--	56562	TOOL,TERMINAL EXTRACTOR,MOLEX		22	74267	CONTACTOR,DRIVE,24V,180A***...1	
1A	T114858	CONTROLLER,SEP-EX Z30N,AMD for models with GE drive motors; SN 3447 to 6812		--	22264	CONTACT,MOVEABLE,19550 RELAY	
1B	128334	CONTROLLER,SEP-EX Z30N,GE...1 for models with GE drive motors; SN 6813 to 12304		--	22265	CONTACT,STATIONRY,19550 RELAY	
1C	T114858	CONTROLLER,SEP-EX Z30N,AMD from SN 12305		--	23845	SPRING,RETURN	
2	6888	SCREW,HHC,1/4-20 X 1		--	74282	DUST SHIELDS,180A CONTACTOR	
3	6356	WASHER,LOCK, .25		--	74468	SPRING, RETURN (FOR 74267)	
4	23404	NUTSERT,1/4-20,STEEL CAD PLTD		--	74469	FIXED CONTACT (FOR 74267)	
5	13002	SCREW,HHC,5/16-18 X 1 GR5		--	74470	MOVING CONTACT (FOR PN 74267)	
6	6886	WASHER,LOCK, .313		23	74266	CONTACTOR,LIFT PUMP 24V 180A.....1	
7	5397	WASHER,FLAT,USS,5/16", Y		--	32697	INJECTOR,DEUTZ	
8	36456	SPRING CLIP, 5/16-18		--	62695	CONTACT,STATIONARY (56434)	
9	22542	M4 X 5 PHILLIPS (CHEESEHEAD)		--	62696	CONTACT-MOVEABLE (56434)	
10	56281	ANGLE,FUSE MOUNT.....1		--	74471	SPRING,RETURN (74266)	
11	36355	FUSE,100 AMP,VERY FAST ACTING.....2		24	56095	BRACKET,CONTACTOR MOUNT SINGLE.....1	
12	6090	SCREW,HHC,1/4-20 X .75		25A	74424	CONTACTOR PANEL ASSEMBLY.....1 includes items 4 and 18 (to SN 15221; not shown)	
13	6638	WASHER,FLAT,USS,1/4"Y		25B	236665	ASSEMBLY, CONTROLLER PLATE.....1 (from SN 15222; shown)	
14	18503	NUT,LOCKING-LG.FLANGE,5/16-18		26	79452	CONVERTER, DC-DC, 48-26 VOLT**.....1 (from SN 15222)	
--	22262	CONTACT,MOVING,19549RELAY		--	822917	KIT, DC-DC CONVERTER, DC.....1 (field install kit for units without inverter) (from SN 8355)	
--	22263	CONTACT,STATIONARY,19549RELAY		--	822919	KIT, DC-DC CONV,Z30N W/INVERTR.....1 (field install kit for units with inverter) (from SN 8355)	
--	23844	SPRING,RETURN,19549 CONTACTOR		27	1251757	SCREW,PHPM,10-32X.50,ZAG.....4	
--	74495	SPRING, RETURN (FOR 74268)		28	74282	DUST SHIELDS,180A CONTACTOR.....4 (for EE units only)	
15A	74268	CONTACTOR,AUX PUMP 24V,80A***.....1					
15B	74266	CONTACTOR,LIFT PUMP 24V 180A** (for EE units only)					
16	823226	POWER RELAY, 24V COIL.....1 (for drive light option)					
17	49818	SCREW,PHILLIPS,PHM,10-32 X .38					



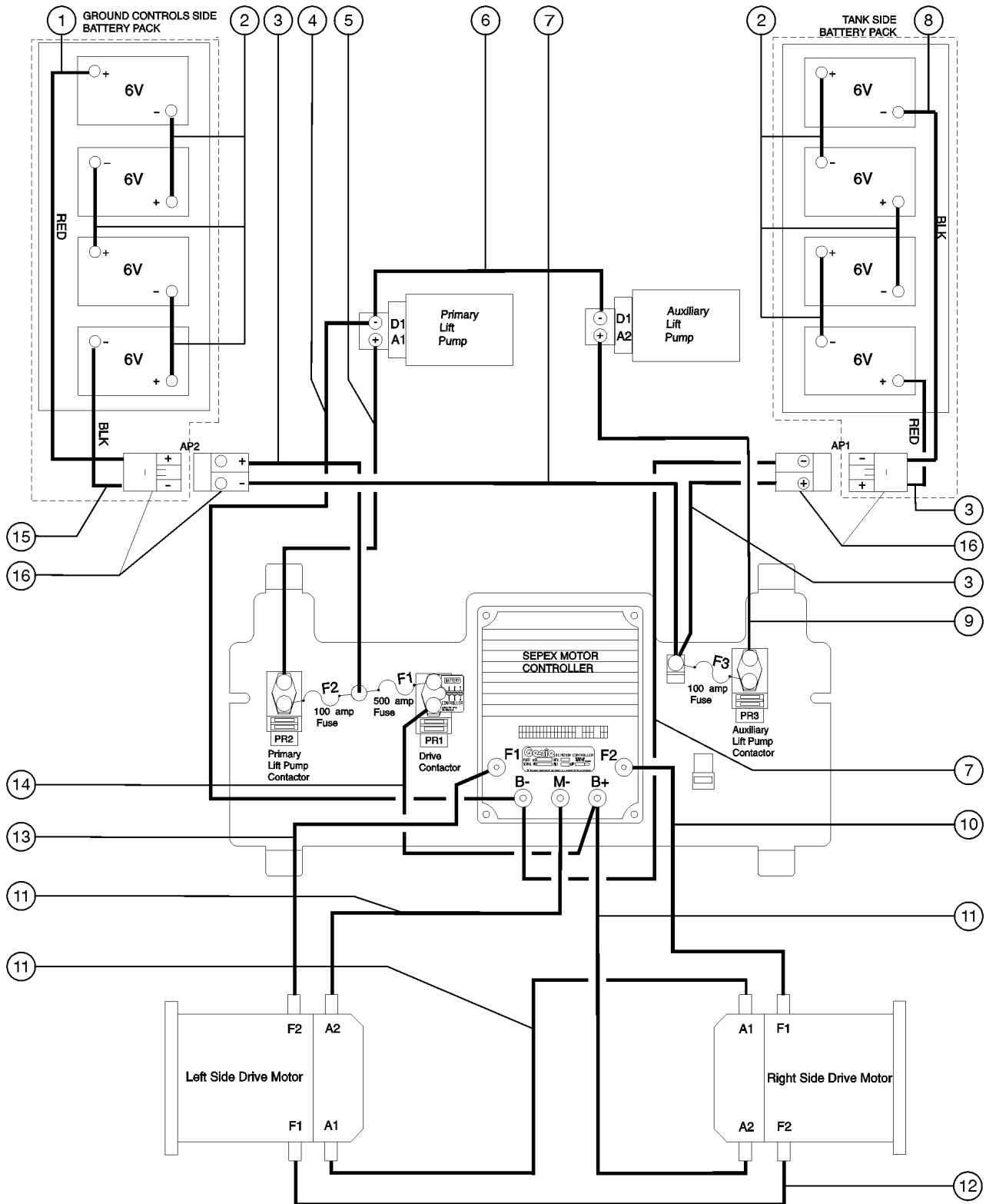
209.1 Power Cable Diagram (to SN 3446)



209.1 Power Cable Diagram (to SN 3446)

Item	Part No.	Description	Qty.
1	74103	CABLE ASSY,#2 BLACK.....	3
2	74105	CABLE ASSY,#2 RED.....	1
3	74102	CABLE ASSY,#2 RED.....	2
4	74109	CABLE ASSY,#2 RED.....	1
5	74106	CABLE ASSY,#2 BLACK.....	1
6	74108	CABLE ASSY,#2 BLACK.....	3
7	74107	CABLE ASSY,#2 BLACK.....	7
8	74104	CABLE ASSY,#2 RED.....	2
9	74114	CABLE ASSY,#2 BLACK.....	1
10	74101	CABLE ASSY,#2 BLACK.....	1
11	74112	CABLE ASSY,#2 BLACK.....	2
12	74115	CABLE ASSY,#2 BLACK.....	1
13	19520	BATTERY CABLE ASSY,9.5" JUMPER.....	6
14	66397	QUICK DISCONNECT CASING,BATT**	4

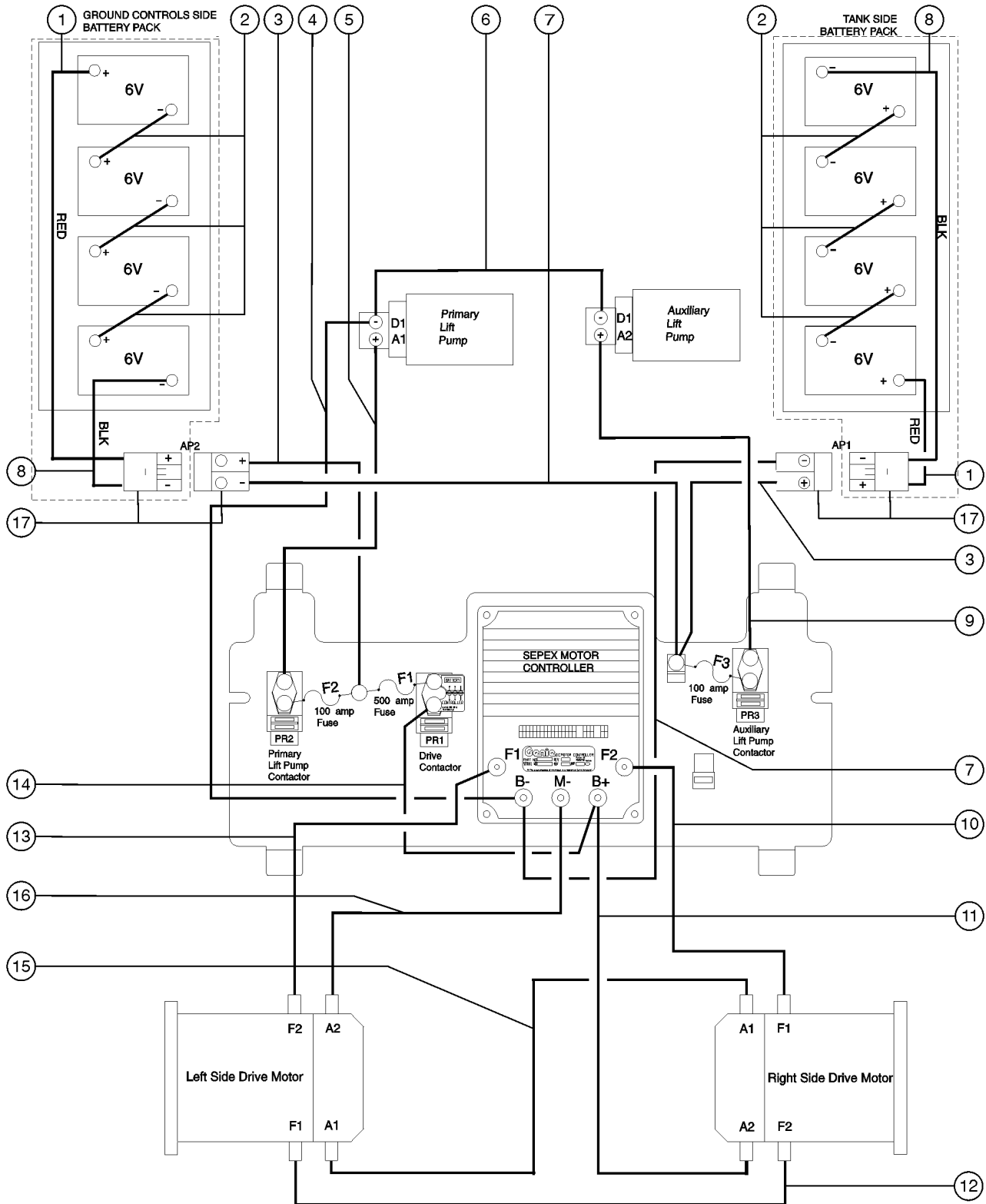
210.1 Power Cable Diagram (from SN 3447 to 10917)



210.1 Power Cable Diagram (from SN 3447 to 10917)

Item	Part No.	Description	Qty.
1	74102	CABLE ASSY,#2 RED.....	2
2	74103	CABLE ASSY,#2 BLACK.....	6
3	74104	CABLE ASSY,#2 RED.....	2
4	74114	CABLE ASSY,#2 BLACK.....	1
5	74105	CABLE ASSY,#2 RED.....	1
6	74106	CABLE ASSY,#2 BLACK.....	1
7	74107	CABLE ASSY,#2 BLACK.....	2
8	74108	CABLE ASSY,#2 BLACK.....	2
9	74109	CABLE ASSY,#2 RED.....	1
10	74110	WIRE ASSY,#10 RED, 18".....	1
11	74111	CABLE ASSY,#2 BLACK, 31".....	1
12	74112	CABLE ASSY,#2 BLACK.....	1
13	74113	WIRE ASSY,#10 RED, 15".....	1
14	74115	CABLE ASSY,#2 BLACK.....	1
15	74101	CABLE ASSY,#2 BLACK.....	1
16	66397	QUICK DISCONNECT CASING,BATT**.....	4

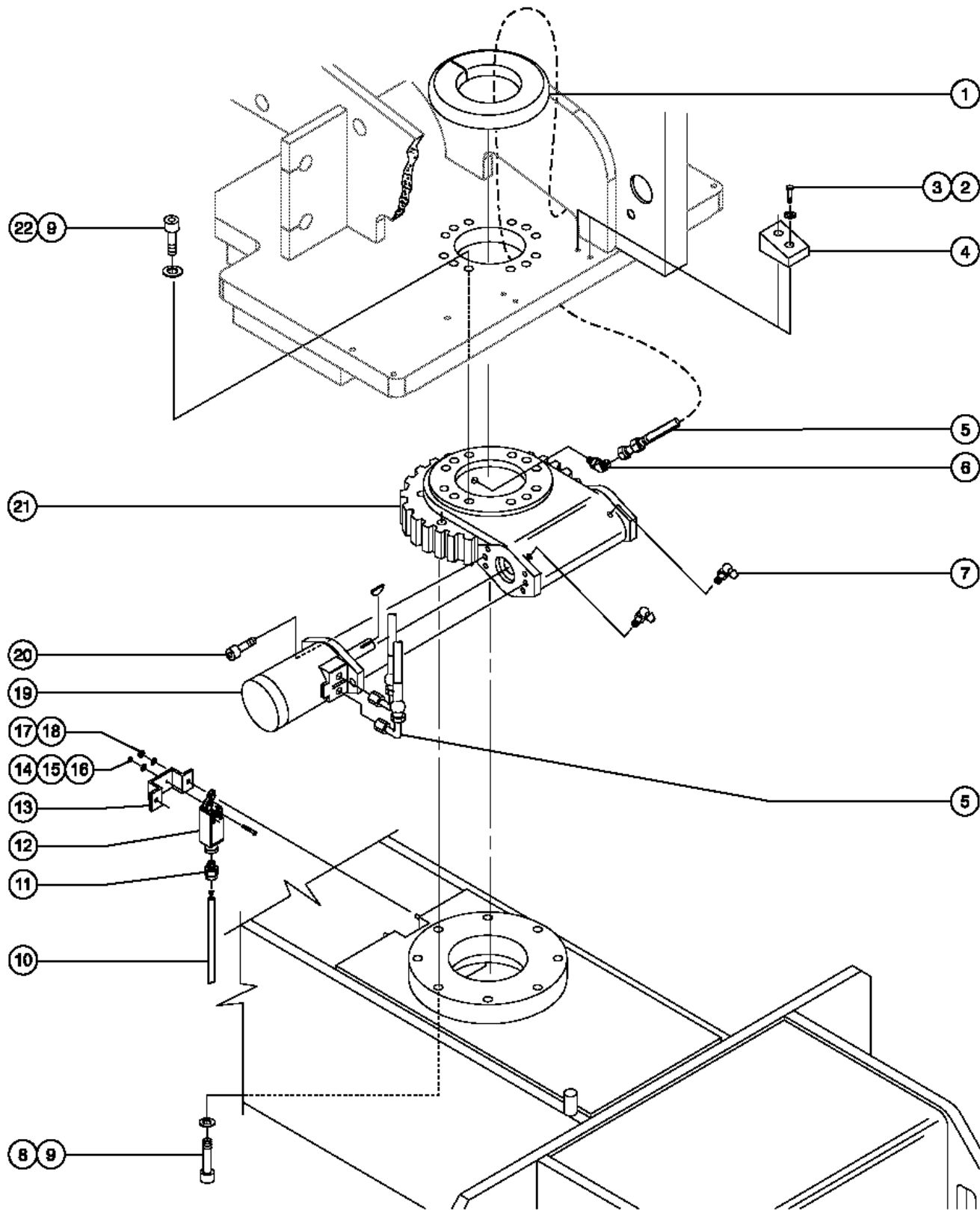
210.2 Power Cable Diagram (from SN 10918)



210.2 Power Cable Diagram (from SN 10918)

Item	Part No.	Description	Qty.
--	139010	HARN ASSY, POWER DRIVE CHASS <i>includes 1 each items 3, 7 and 17</i>	
--	139011	HARN ASSY, POWER BATT PACK <i>includes 1 each items 1, 8 and 17</i>	
--	51147	BOOT,CABLE TERMINAL,LG,RED,2/0	
1	128465	CABLE ASSY #2 RED BATT.....	2
2	19520	BATTERY CABLE ASSY,9.5"JUMPER.....	6
3	128458	CABLE ASSY #2 RED AP1/AP2 DRIV.....	2
4	139018	CABLE ASSY #4 BLK B(-)/LP-D1....	1
5	139016	CABLE ASSY #4 RED PR2/LP-A1...	1
6	139019	CABLE ASSY #4 BLK LP-D1/AP-D1.....	1
7	128459	CABLE ASSY #2 BLK AP1/AP2 DRIV.....	2
8	128466	CABLE ASSY #2 BLK AP1/AP2 BATT.....	2
9	139017	CABLE ASSY #4 RED PR3/AP-A2.....	1
10	139021	WIRE ASSY #10 RED F2/F1.....	1
11	139012	CABLE ASSY #2 BLK B(+)/A2.....	1
12	139022	WIRE ASSY #10 RED F1/F2.....	1
13	139020	WIRE ASSY #10 RED F1/F2.....	1
14	139013	CABLE ASSY #2 BLK B(+)/PR1.....	1
15	139015	CABLE ASSY #2 BLK A1/A1.....	1
16	139014	CABLE ASSY #2 BLK M(-)/A2.....	1
17	66397	QUICK DISCONNECT CASING,BATT**.....	4
17A	119787	FORMING,BATTERY CONN HANDLE <i>for cable harness 139011</i>	
17A	70673	LANYARD ASSY, 9.5" <i>for cable harness 139011</i>	

301.1 Turntable Rotator



301.1 Turntable Rotator

Item	Part No.	Description	Qty.	Item	Part No.	Description	Qty.
1	42363	RING,HOSE PROTECTOR.....	1	--	73714	TERM,NI	
1A	106959	GUIDE,HOSE -4..... <i>from SN 7161</i>	1	--	88356-12103	SWITCH,LIMIT,W/ROLLER	4
1A	106960	FORMING,HOSE LOCK..... <i>from SN 7161</i>	1			ARM***	1
1A	4828	NUT,NYLOCK,3/8-16..... <i>from SN 7161</i>	1	13A	36326	PLATE,LIMIT SWITCH	
1A	8516	SCREW,HHC,3/8-16 X 1.50,GR5..... <i>from SN 7161</i>	1			MOUNT%%..... <i>to SN 7015</i>	1
2	94195	SCREW,HHC,3/8-16 X .75,GR 8		13B	119917	PLATE, TURNTABLE LS. MT..... <i>from SN 7016</i>	1
3	5397	WASHER,FLAT,USS,5/16",Y		--	6090	SCREW,HHC,1/4-20 X .75 <i>for 119917</i>	
4	74256	REST PAD, LOWER REST Z30N....	2	14	6178	NUT,NYLOCK,10-32	
5		Ref. Hydraulic Hoses and Fittings (refer to 802.1 or 803.1)		15	6607	WASHER,LOCK,#10 PLTD	
6	31194	ELBOW,070302-4-2		16A	51063	SCREW,PHILLIPS,RHM,10-32 X 1.5	
7	128619	ZERK,GREASE,1/8 NPT,67.5 DEG**		16B	49817	SCREW,PHILLIPS,PHM,10-32 X1.25	
8A	36459	SCREW,SHC,5/8-11 X 5.5..... <i>to SN 13456</i>	8	17	6091	NUT,NYLOCK,1/4-20	
8B	139866	SCREW,HHC,5/8-11X4.50GR8 PLAIN..... <i>from SN 13457</i>	8	18	6638	WASHER,FLAT,USS,1/4"Y	
9	13064	WASHER,FLAT,.625 HARDENED.....	20	19	27372	MOTOR,TURNTABLE "O"RING PORTS.....	1
10	43960	WIRE CABLE,16/4 CON.TPE JKT.....	77-inches	--	128453	MOTOR,TURNTABLE,125CC***	1
11	7056	CONN,SQUEEZE,1/2NPT .38-.50,SM		--	27275	SEAL KIT (21172)	
12A	88356-11103	SWITCH,LIMIT,W/RLR ARM,NO/NC..... <i>to SN 7015 (shown)</i>	1	--	32224	KEY-WOODRUFF	
--	19491	CONTACTOR,LIMIT SWITCH		--	74864	MOTOR,TURNTABLE,ROLLER STATOR.....	1
--	97128	ROLLER ARM,LIMIT SWITCH***		20	56843	SCREW,SHC,1/2-13 X 1.50,A574....	2
12B	106087	HARNES,LS,DRIVE ENABLE LS3 Z3 <i>from SN 7016 TO 8354</i>		21	119111	ROTATOR TURNTABLE ASSEMBLY***	1
12B	88356-12103	SWITCH,LIMIT,W/ROLLER ARM***	1	--	128565	SHIM KIT,TURNTABLE***	1
--	106427	LS ROT.HEAD W/O LEVER (ZCE01)		--	128618	SEAL KIT*** <i>for 119111</i>	
--	19491	CONTACTOR,LIMIT SWITCH		--	128620	ZERK,GREASE,1/8 NPT,45 DEG*** <i>for 119111</i>	
--	97128	ROLLER ARM,LIMIT SWITCH***		--	128621	BEARING,CUP*** <i>for 119111</i>	
12C	110637	HARNES LS3 OP DRIVE ENABLE..... <i>from SN 8355</i>	1	--	128622	BEARING,CONE*** <i>for 119111</i>	
--	119762	CONN PLUG 4 WAY EXTEND DT...1		--	128899	SHAFT,WORM GEAR*** <i>for 119111</i>	
--	60429	LOCK,PLUG 4 WAY,14-18GA.....	1	--	139008	SNAP RING,INT,2.88 DIA*** <i>from SN 11193 OR after gear S/N 01108CG1W</i>	
				--	139376	SNAP RING,INTERNAL,2.88 DIA*** <i>from SN 9392 to 11192 OR before gear S/N 01108CG1X</i>	

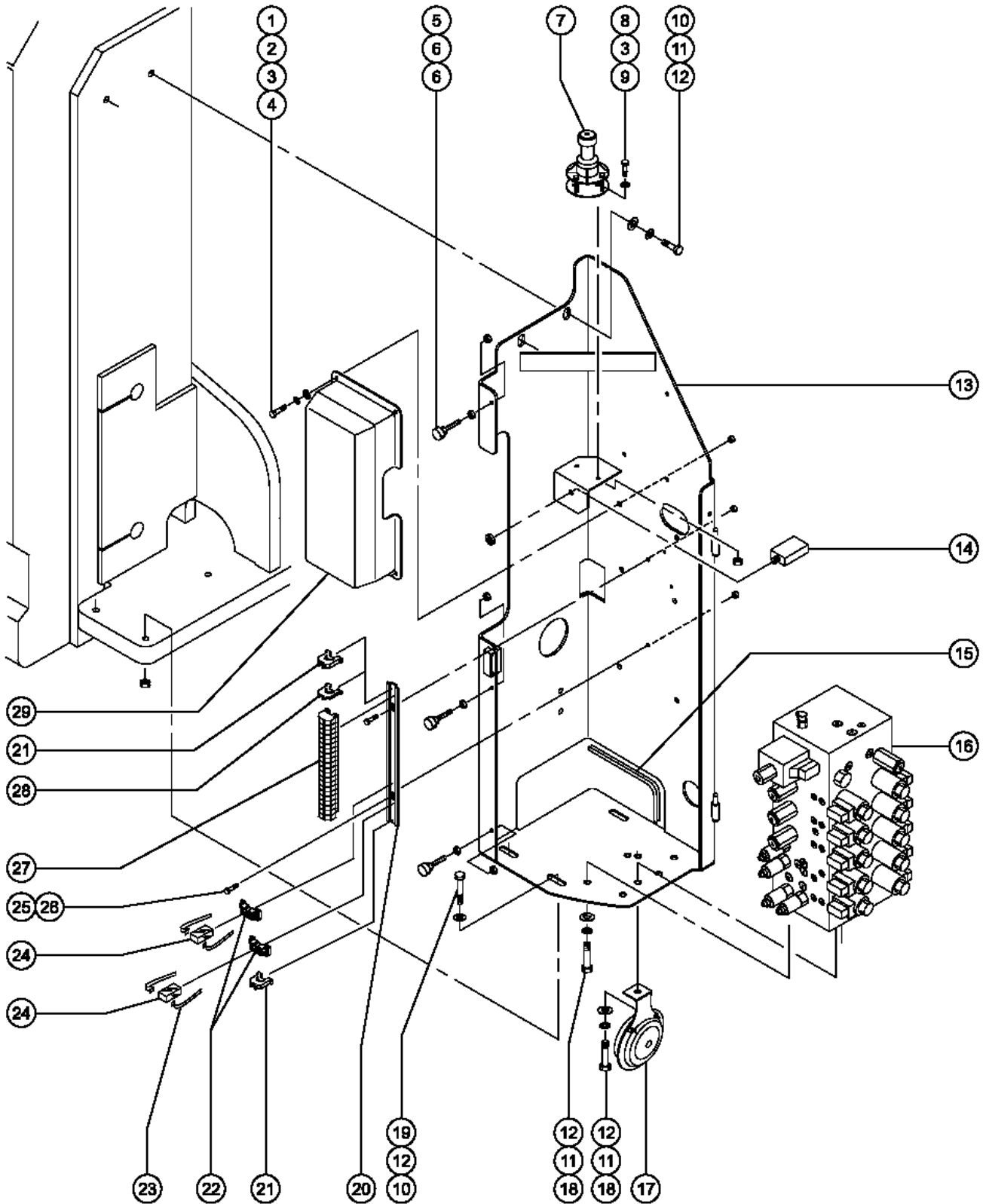


301.1 Turntable Rotator (continued)

Item	Part No.	Description	Qty.
21A	58360	KIT,SEAL (74994).....1 <i>for rotator 74994</i>	1
--	58296	SNAP RING (74994).....1 <i>for rotator 74994; sold seperately</i>	1
--	58330	O-RING OR-151 N73038 (74994)....1 <i>for rotator 74994</i>	1
--	58331	SEAL 21252875-375BYP2 (74994).....2 <i>for rotator 74994</i>	2
--	58332	BEARING,CONE LM501349 (74994).....2 <i>for rotator 74994; sold seperately</i>	2
--	58333	BEARING,CUP LM501310 (74994).....2 <i>for rotator 74994; sold seperately</i>	2
--	58343	GASKET,MTR,2A,MAG (74994).....1 <i>for rotator 74994</i>	1
--	58344	SEAL,NAT'L. #471818 (74994).....1 <i>for rotator 74994</i>	1
--	58345	CPSCR,FL SKT1/2NCX 125 (74994).....2 <i>for rotator 74994; sold seperately</i>	2
--	58346	ZERK,ALEMITE #1688 (74494).....2 <i>for rotator 74994; sold seperately</i>	2
22A	25068	SCREW,SHC,5/8-11 X 4.5,A574....12 <i>to SN 11768</i>	12
22B	42604	SCREW,SHC,5/8-11 X 4.25 BLK....12 <i>from SN 11769 to 13456</i>	12
22C	139867	SCREW,HHC,5/8-11 X 5.50 GR8 BO.....12 <i>from SN 13457</i>	12

This Page Intentionally Left Blank

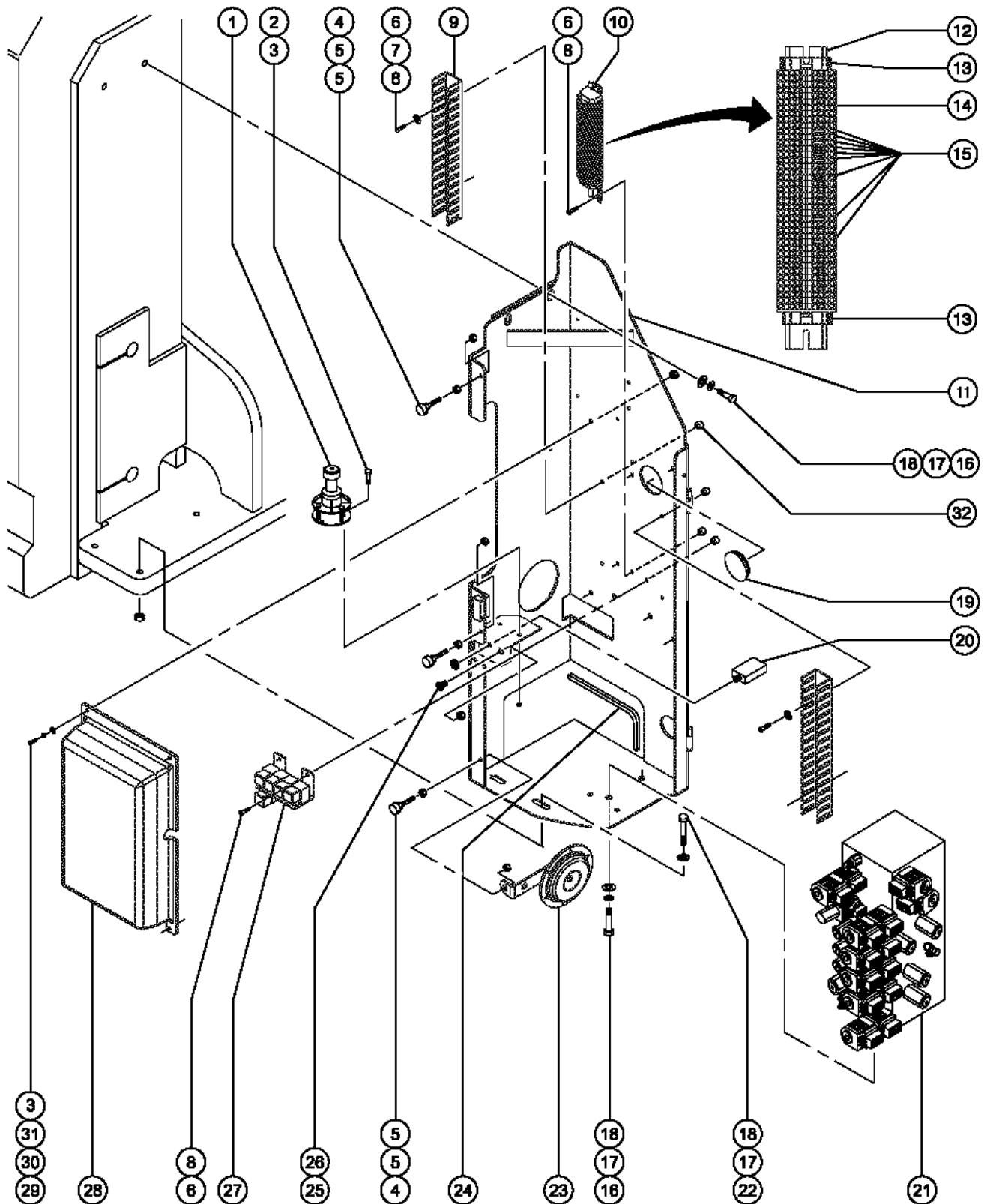
302.1 Ground Controls Side (to SN 3446)



302.1 Ground Controls Side (to SN 3446)

Item	Part No.	Description	Qty.
1	7339	SCREW,HHC,1/4-20 X .5	
2	6356	WASHER,LOCK,.25	
3	6638	WASHER,FLAT,USS,1/4"Y	
4	23404	NUTSERT,1/4-20,STEEL CAD PLTD	
5	36388	BUMPER,RUBBER,.75 X .50H,STUD	
6	18504	NUT,LOCKING-LG.FLANGE,1/4-20	
7A	44586	SENSOR,LEVEL 4.5***1 <i>ANSI and CE models</i>	
7B	42439	SENSOR,LEVEL 3 DEG**1 <i>Australian models</i>	
8	8914	SCREW,HHC,1/4-20 X .625	
9	6091	NUT,NYLOCK,1/4-20	
10	6326	SCREW,HHC,3/8-16 X 3	
11	6021	WASHER,LOCK,.375	
12	6097	WASHER,FLAT,USS,3/8",Y	
13	56875	WELD,COVER SUPPORT LH Z30N*1	
14	147093	ASSY, CIRCUIT BREAKER 10A.....1 <i>includes mounting nut</i>	
15	19018	TRIMLOCK,BLACK,5/32"	
16		Ref. Function Manifold (refer to 702.1)	
17	81579	HORN,24VDC,SPADE TERMINALS***1	
18	77692	SCREW,HHC,3/8-16 X 1 GRD 8	
19	4828	NUT,NYLOCK,3/8-16	
20	36385	DIN RAIL,11.63"1	
--	56201	DIN RAIL,13.75	
21	25974	PLASTIC END STOP1	
22	33608	RELAY,SOCKET,OMRON2	
23	42617	CLIP,SPRING,POTTER BRUMFIELD4	
24	42616	RELAY,POTTER BRUMFIELD 24V **2	
25	6606	SCREW,RHM,10-32 X .75	
26	23405	NUTSERT,10-32 STEEL CAD PLTD	
27	25836	TERMINAL BLOCK(SINGLE),WAGO***30	
28	25837	TERMINAL STRIP END PLATE1	
29	36378	COVER,TERMINAL STRIP1	

303.1 Ground Controls Side (from SN 3447 to 9825)



303.1 Ground Controls Side (from SN 3447 to 9825)

Item	Part No.	Description	Qty.	Item	Part No.	Description	Qty.
1A	44586	SENSOR,LEVEL 4.5***.....1 <i>ANSI and CE models; to SN 5921</i>	1	14	25836	TERMINAL BLOCK(SINGLE),WAGO***.....32	32
1B	94077	SENSOR,LEVEL,4.5 DEG.....1 <i>ANSI models from SN 5922</i>	1	--	216791	TERMINAL BLOCK,WIELAND.....42	42
1C	94077	SENSOR,LEVEL,4.5 DEG <i>CE models from SN 5922 to SN 8496</i>	1	--	217046	KIT, TERMINAL BLOCK <i>use if replacing a jumper terminal block</i>	
1D	110382	LEVEL SENSOR,LS60,YL,2.5X4.5.....1 <i>CE models; from SN 8497</i>	1	--	25836	TERMINAL BLOCK(SINGLE),WAGO***.....37	37
1E	42439	SENSOR,LEVEL 3 DEG**.....1 <i>Australian models</i>	1	15	56648	TERMINAL BLOCK,WAGO,3-WIRE.....9	9
2	8914	SCREW,HHC,1/4-20 X .625		--	74917	JUMPER COMB, 2-WAY,WIELAND.....3	3
3	6091	NUT,NYLOCK,1/4-20		16	77692	SCREW,HHC,3/8-16 X 1 GRD 8	
4	36388	BUMPER,RUBBER,.75 X .50H,STUD.....3	3	17	6021	WASHER,LOCK,.375	
5	18504	NUT,LOCKING-LG.FLANGE,1/4-20		18	6097	WASHER,FLAT,USS,3/8",Y	
6	49816	SCREW,PHILLIPS,PHM,10-32 X .75		19	39640	PLUG,NYLON 2.50 BLACK DOMED.....1	1
7	6146	WASHER,FLAT,MS,#10,Y		20	147093	ASSY, CIRCUIT BREAKER 10A.....1 <i>includes mounting fastener</i>	1
8	6178	NUT,NYLOCK,10-32		21		Ref. Function Manifold (refer to 703.1)	
9	1262218	COVER, DUCT, WIRING.....2 <i>replaced 28299</i>	2	22	6326	SCREW,HHC,3/8-16 X 3	
9	28298	WIRING DUCT, 1.5 X 1.5.....2	2	23	81579	HORN,24VDC,SPADE TERMINALS***.....1	1
10	56783	TERMNAL RAIL ASS'Y,Z30N,Z34....1 <i>includes items 12-15; to SN 4081</i>	1	24	19018	TRIMLOCK,BLACK,5/32"	
--	216788	ASSY,TERMINAL RAIL,Z30/34DC.....1 <i>includes items 12-14; from SN 8355</i>	1	25	824879	LIGHT,LED IND. RED 12V NH.....1	1
--	56993	TERMINAL RAIL.....1 <i>includes items 12-15; from SN 4082 to SN 5725</i>	1	26		LOCKWASHER,LT IND. OD.868/530.....1 <i>not available separately. order kit 218165</i>	1
--	74927	ASSEMBLY,TERMINAL RAIL,Z30N.....1 <i>includes items 12-14; from SN 5726 to 6289</i>	1	27		Ref. Relay Assembly	
--	94742	TERMINAL RAIL ASSY***.....1 <i>includes items 12-14; from SN 6290 to 8354</i>	1	--		RELAY SOCKET,AUTO,RETAINER*** <i>component of 34053</i>	
11	56875	WELD,COVER SUPPORT LH Z30N*.....1	1	--	34053	ASSY,RELAY SOCKET, AUTO.....5	5
12	56788	DIN RAIL, 10.14.....1	1	--	49819	SCREW,PHILLIPS,PHM,10-32 X .5	
--	56994	DIN RAIL,11.25"		--	56302	RELAY,24VDC,40/30A,SEALED***..7	7
13	25974	PLASTIC END STOP.....2	2	--	56791	ANGLE RELAY MOUNTING	
--	74913	END STOP, DIN RAIL,SCREW CLAMP		--	6178	NUT,NYLOCK,10-32	
				28A	56846	COVER,TERMINAL STRIP.....1 <i>to SN 8354</i>	1
				28B	110626	COVER,TERMINAL STRIP, CONN.....1 <i>from SN 8355</i>	1
				29	6090	SCREW,HHC,1/4-20 X .75	
				30	6356	WASHER,LOCK,.25	



303.1 Ground Controls Side (from SN 3447 to 9825)
(continued)

Item	Part No.	Description	Qty.
31	6638	WASHER,FLAT,USS,1/4"Y	
32	23404	NUTSERT,1/4-20,STEEL CAD PLTD	

303.1 Ground Controls Side (from SN 3447 to 9825)
(continued)

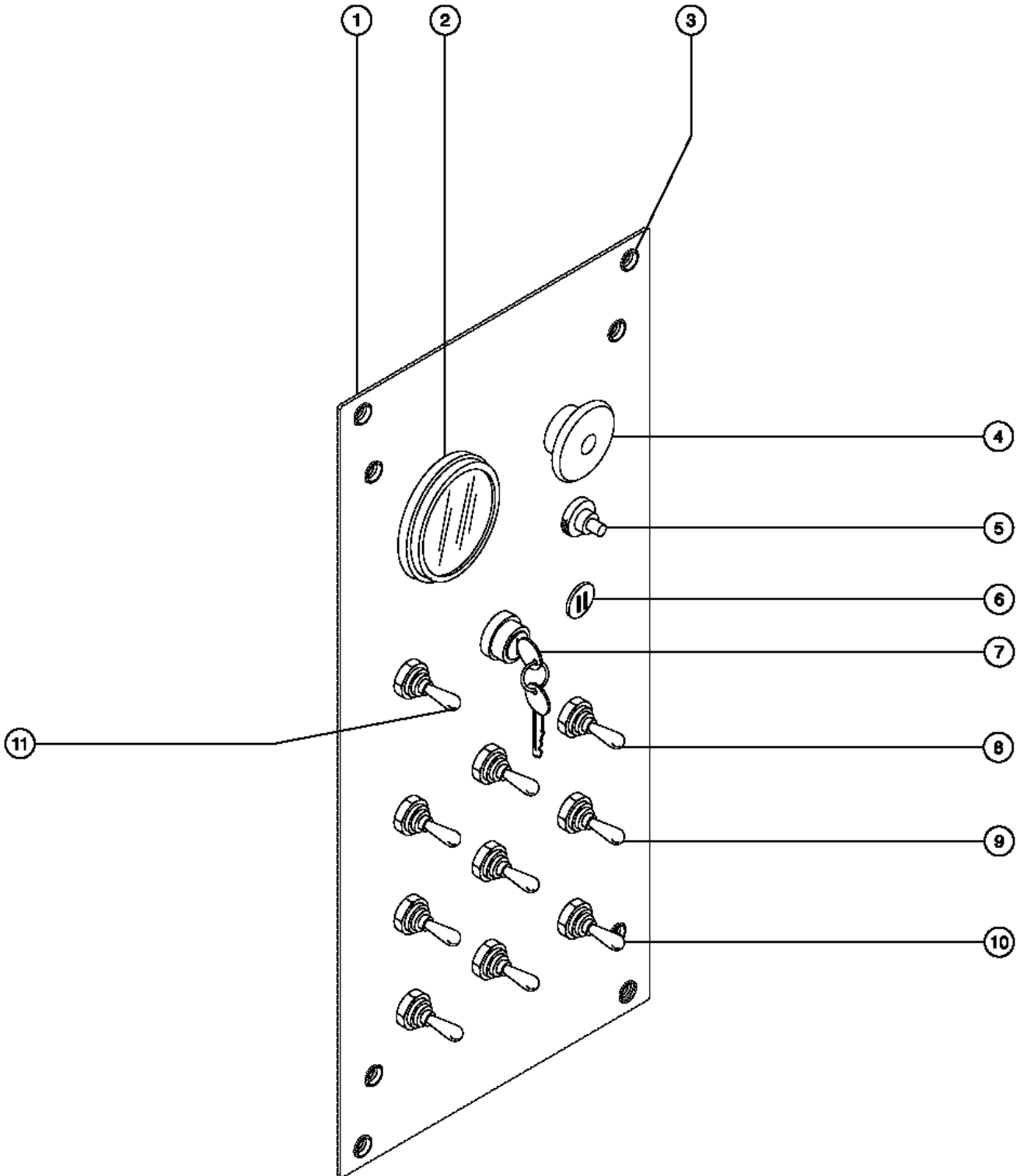
This Page Intentionally Left Blank

303.2 Ground Controls Side (from SN 9826)

Item	Part No.	Description	Qty.	Item	Part No.	Description	Qty.
A	74920	MARKING TAGS,# 1-10,WIELAND		18	6097	WASHER,FLAT,USS,3/8",Y	
B	74921	MARKING TAGS,# 11-20,WIELAND		19	39640	PLUG,NYLON 2.50 BLACK DOMED.....	1
C	74922	MARKING TAGS,# 21-30,WIELAND		20	147093	ASSY, CIRCUIT BREAKER 10A.....1 <i>includes mounting fastener</i>	
D	74923	MARKING TAGS,# 31-40,WIELAND		21		Ref. Function Manifold (refer to 703.1)	
E	74924	MARKING TAGS,# 41-50,WIELAND**		22	6326	SCREW,HHC,3/8-16 X 3	
F	74925	MARKING TAGS,# 51-60,WIELAND		23	81579	HORN,24VDC,SPADE TERMINALS***.....	1
1A	94077	SENSOR,LEVEL,4.5 DEG.....1 <i>ANSI models</i>		24	19018	TRIMLOCK,BLACK,5/32"	
1B	110382	LEVEL SENSOR,LS60,YL,2.5X4.5.....1 <i>CE models</i>		25	824879	LIGHT,LED IND. RED 12V NH.....1	
1C	42439	SENSOR,LEVEL 3 DEG**.....1 <i>Australian models</i>		26	814884	LOCKWASHER,LT IND. OD.868/530.....	1
2	8914	SCREW,HHC,1/4-20 X .625		27		Ref. Relay Assembly	
3	6091	NUT,NYLOCK,1/4-20		--	49819	SCREW,PHILLIPS,PHM,10-32 X .5	
4	36388	BUMPER,RUBBER,.75 X .50H,STUD.....	3	--	56302	RELAY,24VDC,40/30A,SEALED***.8 <i>from SN 16284</i>	
5	18504	NUT,LOCKING-LG.FLANGE,1/4-20		--	56318	BRACKET.....	1
6	49816	SCREW,PHILLIPS,PHM,10-32 X .75		--	56319	EDC FEMALE CONNECTOR - 4 PRONG	
7	6146	WASHER,FLAT,MS,#10,Y		--	56791	ANGLE RELAY MOUNTING	
8	6178	NUT,NYLOCK,10-32		--	6178	NUT,NYLOCK,10-32	
9	28298	WIRING DUCT, 1.5 X 1.5.....2		28	110626	COVER,TERMINAL STRIP, CONN.....	1
--	1262218	COVER, DUCT, WIRING.....2 <i>replaced 28299</i>		29	6090	SCREW,HHC,1/4-20 X .75	
10A	216788	ASSY,TERMINAL RAIL,Z30/34DC <i>to SN 16283</i>		30	6356	WASHER,LOCK, .25	
10B	125957	TERMINAL RAIL, Z30/34DC <i>from SN 16284</i>		31	6638	WASHER,FLAT,USS,1/4"Y	
11	56875	WELD,COVER SUPPORT LH Z30N*.....	1	32	23404	NUTSERT,1/4-20,STEEL CAD PLTD	
12	56994	DIN RAIL,11.25"		33	119618	FORMING,BRACKET.....	1
13	74913	END STOP, DIN RAIL,SCREW CLAMP.....	2	34	56912	SPRING CLIP,1/4-20,.025-.15X.5.....1	
14A	217046	KIT, TERMINAL BLOCK <i>use if replacing a jumpered terminal block</i>		35	6888	SCREW,HHC,1/4-20 X 1	
14B	216791	TERMINAL BLOCK,WIELAND.....26 <i>to SN 16283</i>		36	74918	JUMPER COMB, 3-WAY,WIELAND.....1 <i>from SN 16284</i>	
14C	216791	TERMINAL BLOCK,WIELAND.....28 <i>from SN 16284</i>		37	216793	TERMINAL BLOCK END PLATE.....1	
15	74917	JUMPER COMB, 2-WAY,WIELAND.....	3				
16	77692	SCREW,HHC,3/8-16 X 1 GRD 8					
17	6021	WASHER,LOCK,.375					



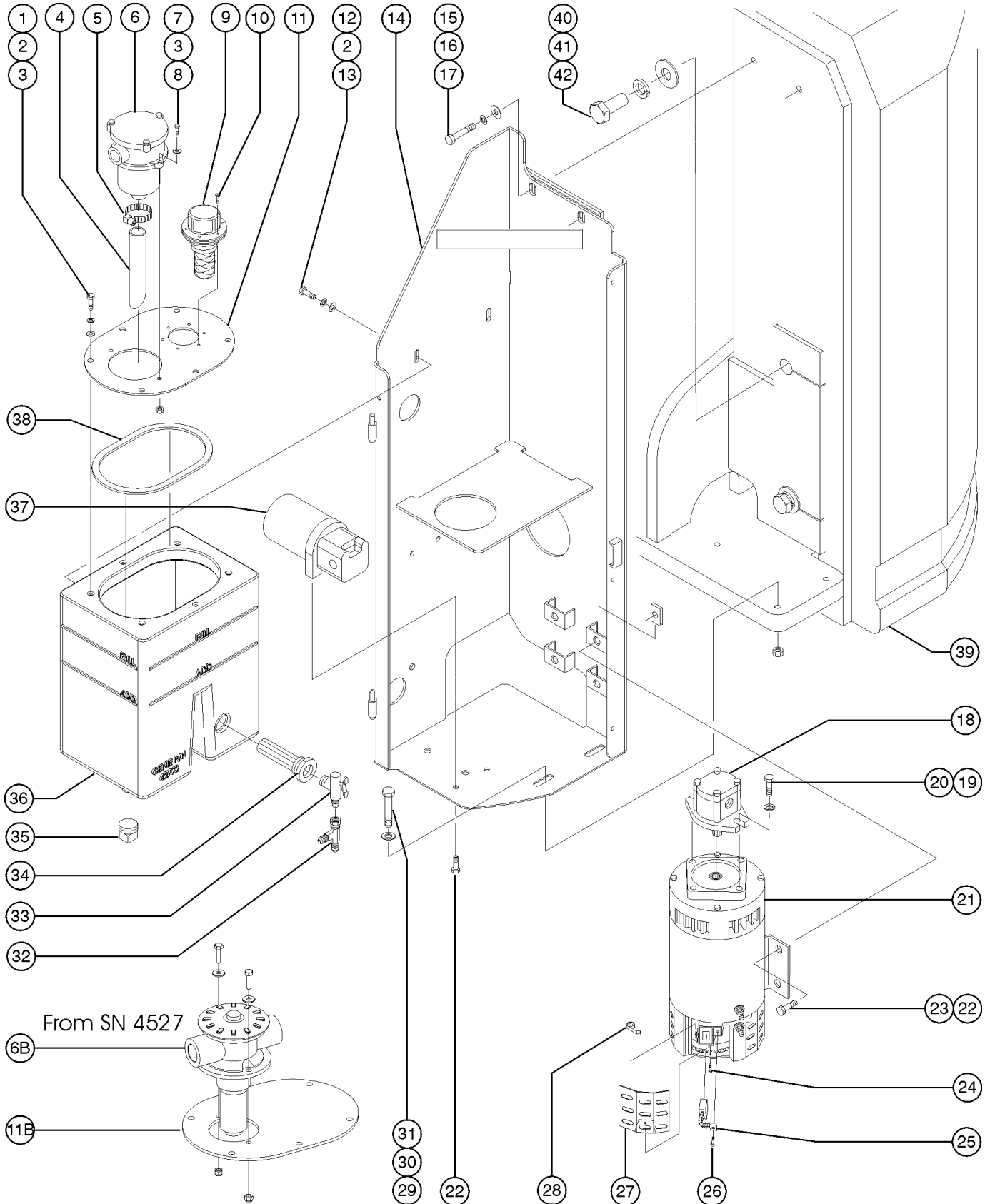
304.1 Ground Control Panel



304.1 Ground Control Panel

Item	Part No.	Description	Qty.	Item	Part No.	Description	Qty.
--	45782	DIODE,6 AMP,200 PIV,BULK		--	96010	SCREW,PHILLIPS,PHM,8-32 X.25**	
1	37129	PANEL,GROUND CONTROL W/ DECAL.....1 <i>includes item 3; to SN 3705</i>		8	16397-S	SWITCH,TOGGLE,DPDT,3POS MOMEN.....1 <i>includes mounting fasteners; Z-30/20NRJ models</i>	
--	101965	GROUND CONTROL PANEL ASSY <i>includes item 3; from SN 6290</i>		--	19268	DIODE ASSEMBLY	
--	74157	ASSEMBLY,BASE CONTROL PANEL <i>includes item 3; from SN 3706 to SN 4082</i>		--	27246	BOOT,TOGGLE SWITCH,SHORT*	
--	74322	ASSEMBLY,CONTROL PANEL <i>includes item 3; from SN 4082 to SN 6289</i>		--	54692	SPACER,NYLON,.718 X .526 X.219	
2	19506	HOUR METER,10-80 VOLTS***.....1		9	16397-S	SWITCH,TOGGLE,DPDT,3POS MOMEN.....7 <i>includes mounting fasteners</i>	
3	23404	NUTSERT,1/4-20,STEEL CAD PLTD		--	19268	DIODE ASSEMBLY	
4	122514	KIT,ESTOP SVC BB&SM BOOM.....1		--	27246	BOOT,TOGGLE SWITCH,SHORT*	
--	66812	BUTTON,PUSH,RED MUSHROOM HEAD		--	54692	SPACER,NYLON,.718 X .526 X.219	
--	66818	CONTACT,NC		10	13037-S	SWITCH,TOGGLE,SPDT,3POS MOMEN*.....1 <i>includes mounting fasteners</i>	
--	66821	BASE,WITHOUT CONTACTS		--	27246	BOOT,TOGGLE SWITCH,SHORT*	
4A	66812	BUTTON,PUSH,RED MUSHROOM HEAD.....1		--	54692	SPACER,NYLON,.718 X .526 X.219	
--	66818	CONTACT,NC		11	13480-S	SWITCH,TOGGLE,DPDT,2POS MOMEN.....1 <i>includes mounting fasteners</i>	
--	66821	BASE,WITHOUT CONTACTS		--	13471	COVER, AUXILIARY POWER SWITCH	
5	147093	ASSY, CIRCUIT BREAKER 10A.....1 <i>includes mounting nut</i>		--	27246	BOOT,TOGGLE SWITCH,SHORT*	
6	13511	RECEPTICAL,SNAP-IN (1450G1)...1		--	54692	SPACER,NYLON,.718 X .526 X.219	
--	13930	SWITCH ASSY,REMOTE BRAKE REL.					
7A	122512	KIT,KEYSWITCH SVC BB & SM BOOM <i>to SN 6289</i>					
--	122366	KEYSWITCH,CONTACTS LOCK					
--	66811	KEYSWITCH,3POS.MNTND.DR WKEY** <i>includes keyswitch and two keys, not included: base or contacts.</i>					
--	66816	CONTACT,N.O.					
--	66821	BASE,WITHOUT CONTACTS					
7B	96008-S	KEYSWITCH,3 POS. W/KEYS*** <i>from SN 6290</i>					
--	37947	KEYS,10 PACK***					
--	83093	KEY SINGLE***					
--	85239	NUT,RETAINER (96008)					
--	88827	GASKET,KEYSWITCH,PLASTIC***					

305.1 Power Unit Side (to SN 12039)



305.1 Power Unit Side (to SN 12039)

Item	Part No.	Description	Qty.	Item	Part No.	Description	Qty.
1	6090	SCREW,HHC,1/4-20 X .75		18	77981	PUMP,LIFT,3CC,CCW***.....1	
2	6356	WASHER,LOCK,.25		--	77990	KIT,SEAL,3CC PUMP***	
3	6638	WASHER,FLAT,USS,1/4"Y		19	55921	SCREW,SHC,3/8-24 X 1.25"	
4	42929	HOSE,RET.FILTER DWN TUBE RUBBE.....1	1	20	22700	WASHER,LOCK,M10	
5	30348	CLAMP,HOSE,1.00		21	58932	BRUSH SET (4PER)(48504)**.....1 <i>for motor 48504; verify part number prior to ordering</i>	
6A	T109281	FILTER ASSY,RETURN.....1 <i>use with lid 42922. To SN 4526.</i>	1	--	37190	BEARING, MOTOR <i>for motor 48504; verify part number prior to ordering</i>	
--	58995	FILTER ELEMENT,RETURN <i>use with lid 42922. To SN 4526.</i>		--	44777	BEARING,MOTOR <i>for motor 48504; verify part number prior to ordering</i>	
6B	110947	HYDRAULIC FILTER ASSY.....1 <i>use with lid 74088. From SN 4527 to 12039.</i>	1	--	48504	MOTOR,FUNCTION,48V DC.....1	
--	128674	CAP,HYDRAULIC FILTER ASSY <i>use with lid 74088. From SN 4527 to 12039.</i>		--	52915	BRUSH LEAD ASSEMBLY KIT(48504) <i>for motor 48504; verify part number prior to ordering</i>	
--	128675	SEAL KIT,HYDRAULIC FILTER ASSY <i>use with lid 74088. From SN 4527 to 12039.</i>		--	58934	BRUSH RIGGING (48504) <i>for motor 48504; verify part number prior to ordering</i>	
--	226148	ELEMENT,RETURN FILTER <i>use with lid 74088. From SN 4527 to 5522.</i>		22	18506	5/16-18 X .75 LG.FLG.LCK.SCREW	
--	58208	O-RING,FILTER,RETURN TANK <i>use with lid 74088. From SN 4527 to 12039.</i>		23	36456	SPRING CLIP, 5/16-18	
--	74634	FILTER ELEMENT RFM90 <i>use with lid 74088. From SN 5523 to 12039.</i>		24	52914	SCREW,HHTAPTITE THREAD8-32X.38	
7	6888	SCREW,HHC,1/4-20 X 1		25	58932	BRUSH SET (4PER)(48504)**	
--	8915	SCREW,HHC,1/4-20 X 1.25		26	52913	SCREW,HH TAPETITE THRD8-32X.50	
8	6091	NUT,NYLOCK,1/4-20		27	58936	BRUSH COVER -PLATE-(48504)	
9	53534	FILTER SCREEN,TANK BREATHER.....1	1	28	58933	SPRING SET (48504)	
10	49819	SCREW,PHILLIPS,PHM,10-32 X .5		29	14033	SCREW,HHC,3/8-16 X 2.75	
11A	42922	PLATE,TANK LID.....1 <i>To SN 4526.</i>	1	30	6097	WASHER,FLAT,USS,3/8",Y	
11B	74088	PLATE,HYDRALIC TANK LID <i>From SN 4527 to 12039.</i>		31	4828	NUT,NYLOCK,3/8-16	
12	8914	SCREW,HHC,1/4-20 X .625		32	48938	FITTING,TEE,RUN,SWIVEL520432-8.1	
13	12906	WASHER,FENDER,.25 X 1.25 X.062		33	42920	VALVE,BALL,90DEG.-8NPTF/-8NPTM.1	
14	94428	WELDMENT,COVER SUPPORT RH***		34	36998	STRAINER ASSY 1"NPT TANK MTD.....1	
15	6019	SCREW,HHC,3/8-16 X 1.25 GRD 5		35	56022	PLUG,3/4 MAGNETIC PIPE SQ.DRV.....1	
16	6021	WASHER,LOCK,.375		36A		HYDRAULIC TANK <i>from SN 1932 to 2007; consult factory</i>	
17	15086	WASHER,FLAT,.375 X 1.5 X .125		36B	128810	KIT, HYDRAULIC TANK.....1 <i>from SN 2008 to 12039</i>	
				37	36179	POWER UNIT,AUX PUMP 24VDC.....1	

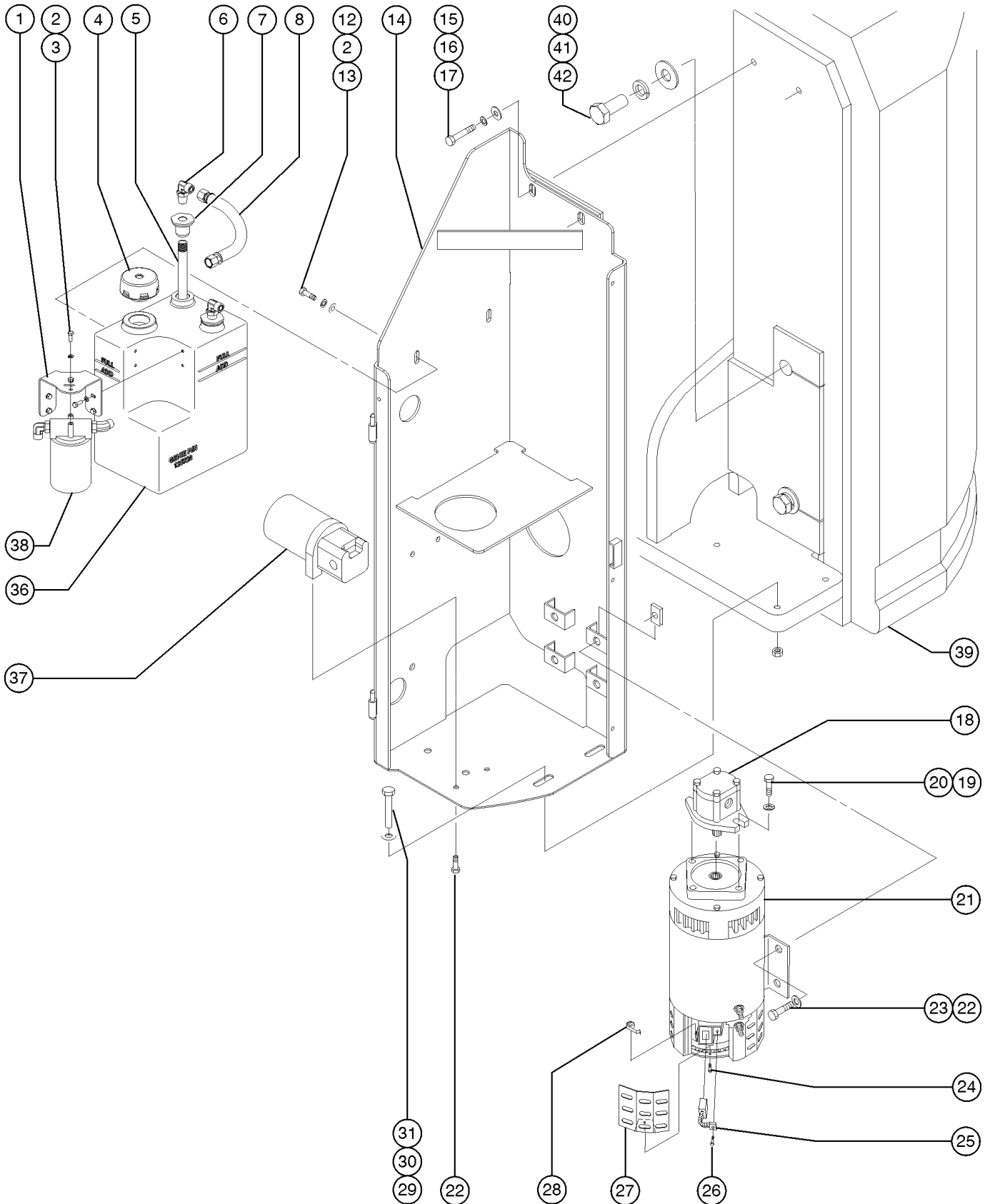


305.1 Power Unit Side (to SN 12039)
(continued)

Item	Part No.	Description	Qty.
--	37184	MOTOR, 24V (36179)	
--	37185	PUMP ASSEMBLY (36179)	
--	37186	VALVE,CHECK (36179)	
--	37187	SEAL KIT, 37185 PUMP	
--	37191	GASKET, PUMP / MOTOR (36179)	
--	37192	COUPLER, PUMP / MOTOR (36179)	
38	42785	GASKET,HYDRAULIC TANK	
39	36086	COUNTERWEIGHT,CAST,5252 LBS.....1	
40	42078	SCREW,HHC,1-8 X 3 GRD.5	
41	29605	WASHER,LOCK,1"	
42	38859	WASHER,FLAT,USS,1",Y	

This Page Intentionally Left Blank

305.2 Power Unit Side (from SN 12040)

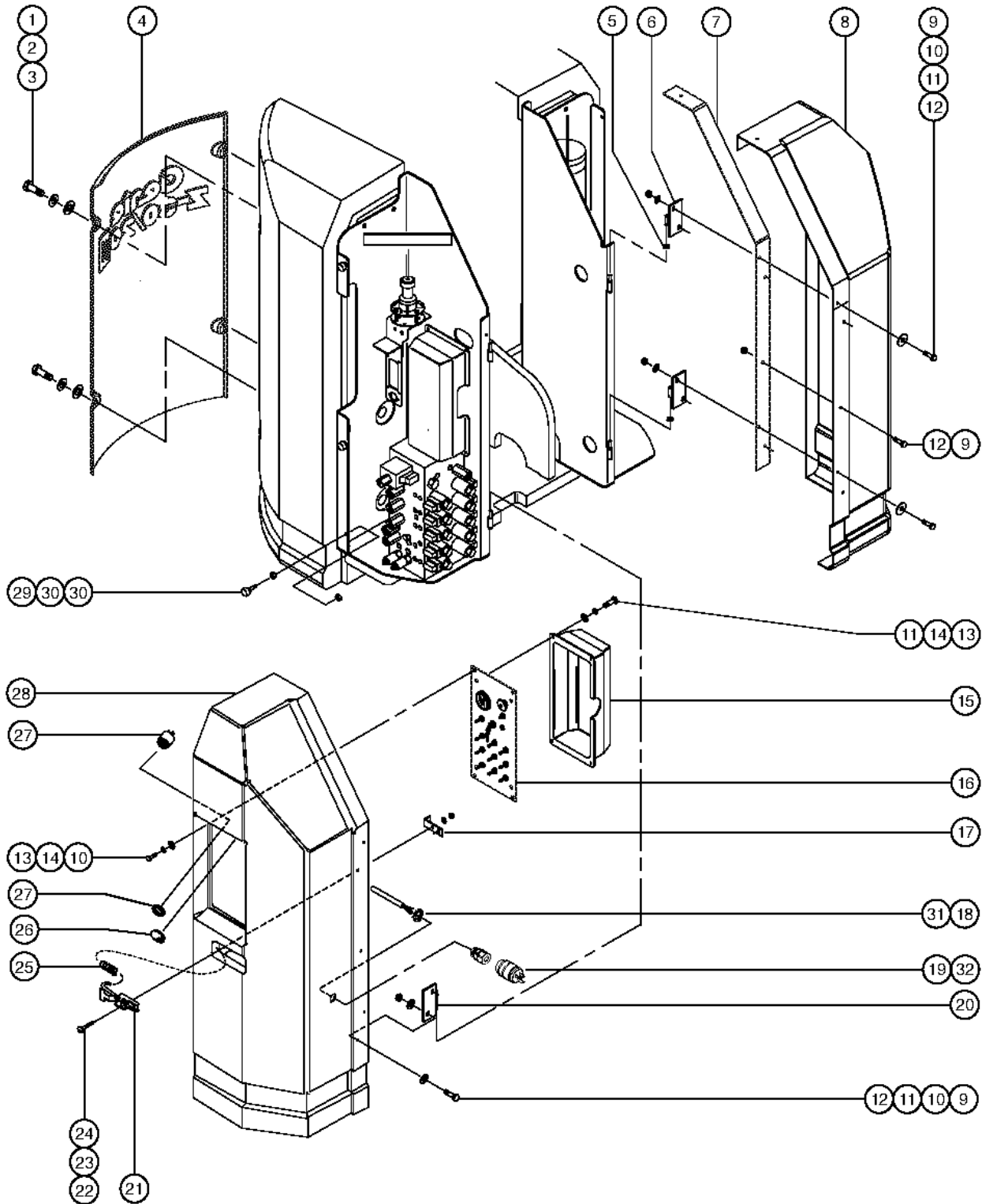


305.2 Power Unit Side (from SN 12040)

Item	Part No.	Description	Qty.	Item	Part No.	Description	Qty.
1	128808	BRACKET, RETURN FILTER.....	1	27	58936	BRUSH COVER -PLATE-(48504)	
2	6356	WASHER,LOCK,.25		28	58933	SPRING SET (48504)	
3	6090	SCREW,HHC,1/4-20 X .75		29	14033	SCREW,HHC,3/8-16 X 2.75	
4	42019	TANK BREATHER,NYLON **.....	1	30	6097	WASHER,FLAT,USS,3/8",Y	
5	128818	TUBE, HYDRAULIC TANK.....	2	31	4828	NUT,NYLOCK,3/8-16	
6	128811	ELBOW,90D,520201-8.....	2	36	128728	HYDRAULIC TANK, BE/DC.....	1
7	39223	BULKHEAD FITTING,PLASTIC X 8**	2	37	36179	POWER UNIT,AUX PUMP 24VDC.....	1
8	128809	HOSE ASSY,1/2",12.38".....	1	--	37184	MOTOR, 24V (36179)	
12	8914	SCREW,HHC,1/4-20 X .625		--	37185	PUMP ASSEMBLY (36179)	
13	12906	WASHER,FENDER,.25 X 1.25 X.062		--	37186	VALVE,CHECK (36179)	
14	94428	WELDMENT,COVER SUPPORT RH***		--	37187	SEAL KIT, 37185 PUMP	
15	6019	SCREW,HHC,3/8-16 X 1.25 GRD 5		--	37191	GASKET, PUMP / MOTOR (36179)	
16	6021	WASHER,LOCK,.375		--	37192	COUPLER, PUMP / MOTOR (36179)	
17	15086	WASHER,FLAT,.375 X 1.5 X .125		38	78622	FILTER ASSY,SAE8,10 MIC,PAPR**	1
18	77981	PUMP,LIFT,3CC,CCW***	1	--	44788	FILTER ELEMENT,10MICRON,PAPER*.....	1
--	77990	KIT,SEAL,3CC PUMP***		39	36086	COUNTERWEIGHT,CAST,5252 LBS.....	1
19	55921	SCREW,SHC,3/8-24 X 1.25"		40	42078	SCREW,HHC,1-8 X 3 GRD.5	
20	22700	WASHER,LOCK,M10		41	29605	WASHER,LOCK,1"	
21	58932	BRUSH SET (4PER)(48504)**.....	1	42	38859	WASHER,FLAT,USS,1",Y	
		<i>for motor 48504; verify part number prior to ordering</i>					
--	37190	BEARING, MOTOR <i>for motor 48504; verify part number prior to ordering</i>					
--	44777	BEARING,MOTOR <i>for motor 48504; verify part number prior to ordering</i>					
--	48504	MOTOR,FUNCTION,48V DC.....	1				
--	52915	BRUSH LEAD ASSEMBLY KIT(48504) <i>for motor 48504; verify part number prior to ordering</i>					
--	58934	BRUSH RIGGING (48504) <i>for motor 48504; verify part number prior to ordering</i>					
22	18506	5/16-18 X .75 LG.FLG.LCK.SCREW					
23	36456	SPRING CLIP, 5/16-18					
24	52914	SCREW,HHTAPTITE THREAD8-32X.38					
25	58932	BRUSH SET (4PER)(48504)**					
26	52913	SCREW,HH TAPETITE THRD8-32X.50					



306.1 Turntable Covers (to SN 10538)

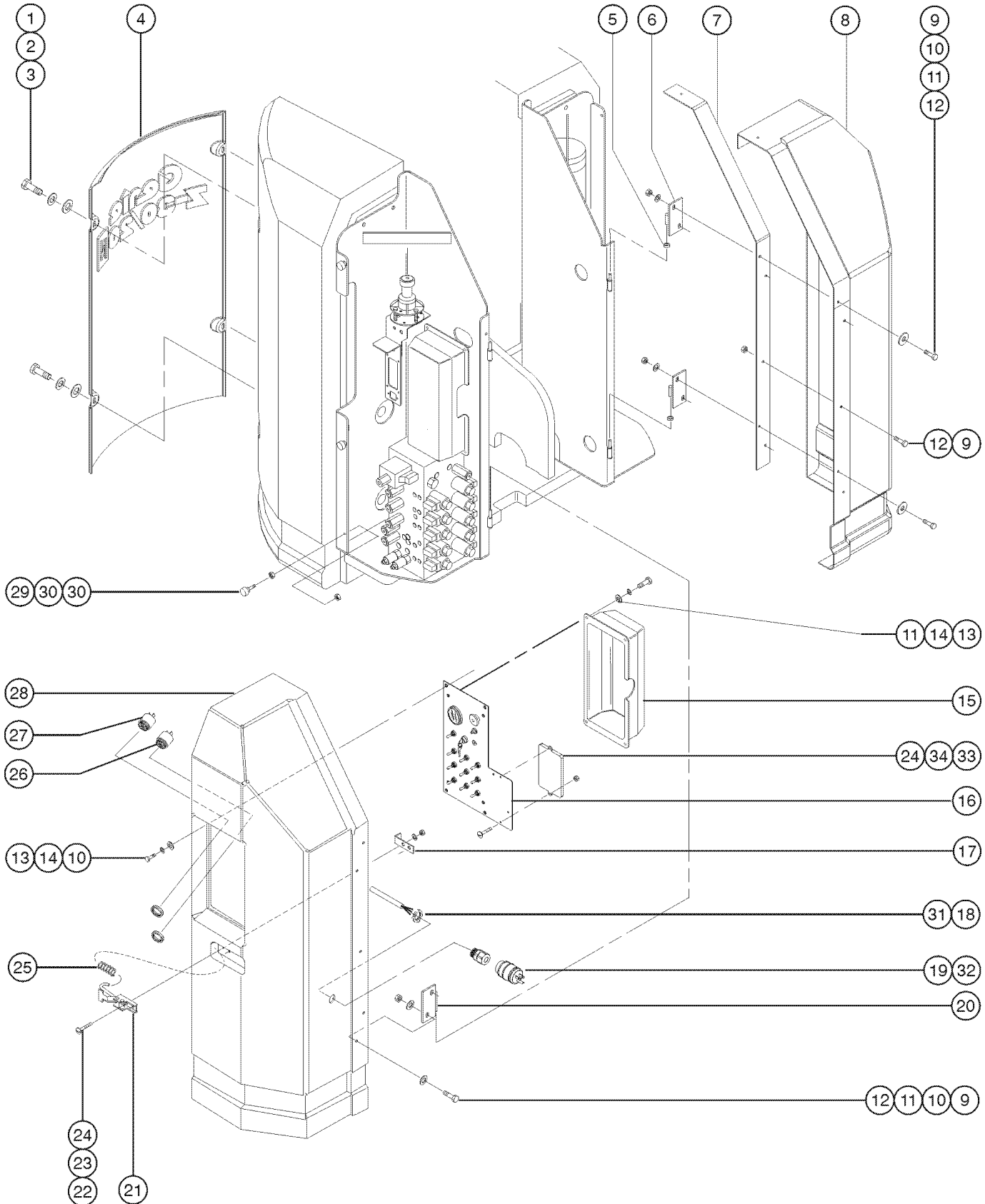


306.1 Turntable Covers (to SN 10538)

Item	Part No.	Description	Qty.	Item	Part No.	Description	Qty.
1	77692	SCREW,HHC,3/8-16 X 1 GRD 8		--	72326	NUT - PLASTIC,RING FOR ALARMS.....	1
2	6021	WASHER,LOCK,,.375		28A	101967	COVER ASSY W/DECAL,GRND CTRL <i>USA/Canada/Australia from SN 6290; includes items 17 and 21-25</i>	
3	6097	WASHER,FLAT,USS,3/8",Y		28A	37105	COVER ASSY.W/D G.C.SIDE,ANSI.....	1
4	58108	COVER W/DECALS,COUNTERWEIGHT**...1				<i>USA/Canada to SN 3705; includes items 17 and 21-25</i>	
5	36457	WASHER,THRUST,.313 X .50 X .10		28A	74447	COVER ASSY W/DC GC SIDE,ANSI <i>USA/Canada/Australia from SN 3706 to 6289; includes items 17 and 21-24</i>	
6	36414	HINGE,WELD.,COVER,PUMP GRY/BLU.....	2	--	36392	BRACE,LEFT HINGE	
7	36391	BRACE,RIGHT HINGE.....	1	28B	101968	COVER ASSY W/SYM DCAL,GC SIDE <i>CE/Asia/South America; includes items 17 and 21-25; from SN 6290</i>	
8	37106	COVER ASSY W/DECALS,HPU SIDE.....	1	28B	74765	COVER ASSY.W/D G.C.SIDE,CE** <i>CE/Asia/South America to SN 3705; includes items 17 and 21-25</i>	
--	101969	COVER ASSY W/DECAL,PUMP SIDE <i>includes items 17, and 21-25; from SN 6290</i>		28B	74803	COVER ASSY.W/D G.C.SIDE,CE <i>CE/Asia/South America from SN 3706 to 6289; includes items 17 and 21-25</i>	
--	101970	COVER ASSY W/SYM DCAL,PUMP SID <i>includes items 17 and 21-25; from SN 6290</i>		--	36392	BRACE,LEFT HINGE	
9	6888	SCREW,HHC,1/4-20 X 1		29	36388	BUMPER,RUBBER,.75 X .50H,STUD.....	3
10	12906	WASHER,FENDER,.25 X 1.25 X.062		30	6357	NUT,HEX,1/4-20	
11	6638	WASHER,FLAT,USS,1/4"Y		31	43956	WIRE CABLE,14/3 CON.TPE JKT*.....	756 inches
12	6091	NUT,NYLOCK,1/4-20		32	119403	CONN,PLUG 120 AC/15A DOMESTIC.....	1
13	6090	SCREW,HHC,1/4-20 X .75		--		FUSE,13 AMP,220V PLUG <i>(component no longer available) refer to BS1362 BUSS TDC180-13A</i>	
14	6356	WASHER,LOCK,.25		--	119404	CONN,RECEP 120AC/15A DOMESTIC	
15	36257	COVER,CONTROL PANEL.....	1	--	144161	PLUG,PWR,UK,16AMP,3PIN,BLK	
16		Ref. Control Panel Assembly (refer to 304.1)		--	25388	PLUG,FUSED,250V,13AMP,U.K.**	
17	36570	BRACKET,COVER LATCH.....	2	--	6666	PLUG,ELECTRICAL,220/50,NOVON	
18	6935	LOCKNUT,ELEC,1/2".....	1	33	128045	MODULE,LOAD SENSE 2007	
19	7056	CONN,SQUEEZE,1/2NPT .38-.50,SM.....	1	34	54365	SCREW,PHIL,PHM,10-32 X .5,SSTL	
20	36415	HINGE,WELD,COVER,CTRLS GRY/BLU.....	2				
21	36575	LATCH,ADJUSTABLE DRAW.....	2				
22	49816	SCREW,PHILLIPS,PHM,10-32 X .75					
23	6146	WASHER,FLAT,MS,#10,Y					
24	6178	NUT,NYLOCK,10-32					
25	36574	SPRING,EXTENSION,.36 X 1.25.....	2				
26	45385	PLUG,NYLON 1.12 BLACK DOMED.....	1				
27	18963	ALARM.INTERMITTENT TONE.24V.....	1				
		<i>Does not include 72326 nut</i>					



306.2 Turntable Covers (from SN 10539)

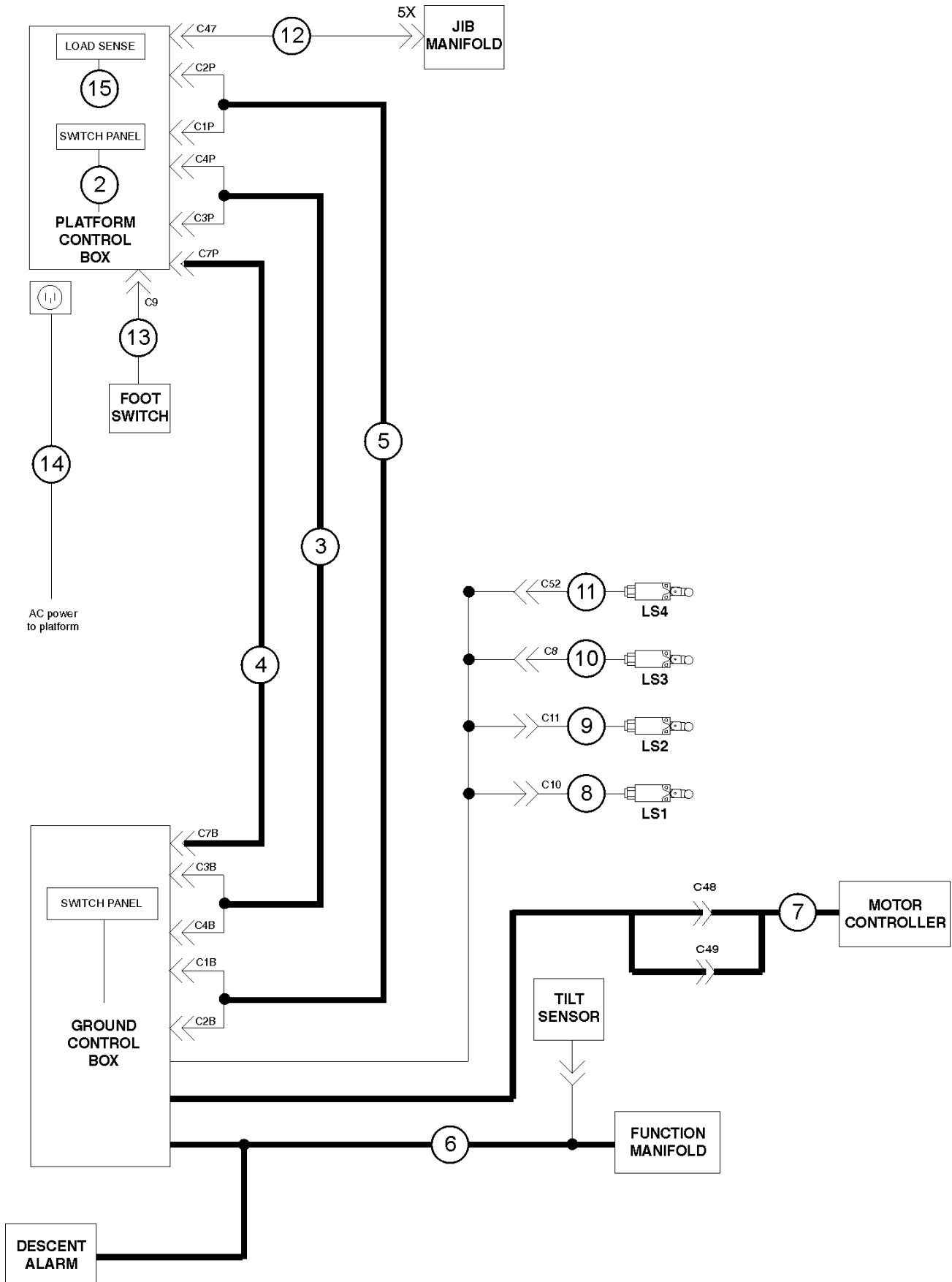


306.2 Turntable Covers (from SN 10539)

Item	Part No.	Description	Qty.	Item	Part No.	Description	Qty.
1	77692	SCREW,HHC,3/8-16 X 1 GRD 8		--	72326	NUT - PLASTIC,RING FOR ALARMS.....	1
2	6021	WASHER,LOCK,,.375		28A	101967	COVER ASSY W/DECAL,GRND CTRL <i>USA/Canada/Australia; includes items 17 and 21-25</i>	
3	6097	WASHER,FLAT,USS,3/8",Y		--	36392	BRACE,LEFT HINGE	
4	58108	COVER W/DECALS,COUNTERWEIGHT**...1		28B	101968	COVER ASSY W/SYM DCAL,GC SIDE <i>CE/Asia/South America; includes items 17 and 21-25</i>	
5	36457	WASHER,THRUST,.313 X .50 X .10		--	36392	BRACE,LEFT HINGE	
6	36414	HINGE,WELD.,COVER,PUMP GRY/BLU.....	2	29	36388	BUMPER,RUBBER,.75 X .50H,STUD.....	3
7	36391	BRACE,RIGHT HINGE.....	1	30	6357	NUT,HEX,1/4-20	
8A	101969	COVER ASSY W/DECAL,PUMP SIDE <i>includes items 17, and 21-25</i>		31	43956	WIRE CABLE,14/3 CON.TPE JKT*	
8B	101970	COVER ASSY W/SYM DCAL,PUMP SID <i>includes items 17 and 21-25</i>		32	119403	CONN,PLUG 120 AC/15A DOMESTIC.....	1
9	6888	SCREW,HHC,1/4-20 X 1		--		FUSE,13 AMP,220V PLUG <i>(component no longer available) refer to BS1362 BUSS TDC180-13A</i>	
10	12906	WASHER,FENDER,.25 X 1.25 X .062		--	119404	CONN,RECEP 120AC/15A DOMESTIC	
11	6638	WASHER,FLAT,USS,1/4"Y		--	144161	PLUG,PWR,UK,16AMP,3PIN,BLK	
12	6091	NUT,NYLOCK,1/4-20		--	25388	PLUG,FUSED,250V,13AMP,U.K.**	
13	6090	SCREW,HHC,1/4-20 X .75		--	6666	PLUG,ELECTRICAL,220/50,NOVON	
14	6356	WASHER,LOCK,.25		33	128045	MODULE,LOAD SENSE 2007	
15	36257	COVER,CONTROL PANEL.....	1	34	54365	SCREW,PHIL,PHM,10-32 X .5,SSTL	
16		Ref. Control Panel Assembly (refer to 304.1)					
17	36570	BRACKET,COVER LATCH.....	2				
18	6935	LOCKNUT,ELEC,1/2".....	1				
19	7056	CONN,SQUEEZE,1/2NPT .38-.50,SM.....	1				
20	36415	HINGE,WELD,COVER,CTRLS GRY/BLU.....	2				
21	36575	LATCH,ADJUSTABLE DRAW.....	2				
22	49816	SCREW,PHILLIPS,PHM,10-32 X .75					
23	6146	WASHER,FLAT,MS,#10,Y					
24	6178	NUT,NYLOCK,10-32					
25	36574	SPRING,EXTENSION,.36 X 1.25.....	2				
26	45462	ALARM,CHIME TONE 5-25VDC*** <i>Does not include 72326 nut</i>	1				
--	72326	NUT - PLASTIC,RING FOR ALARMS.....	1				
27	18963	ALARM.INTERMITTENT TONE.24V..... <i>Does not include 72326 nut</i>	1				



307.1 Wire Harness Diagram

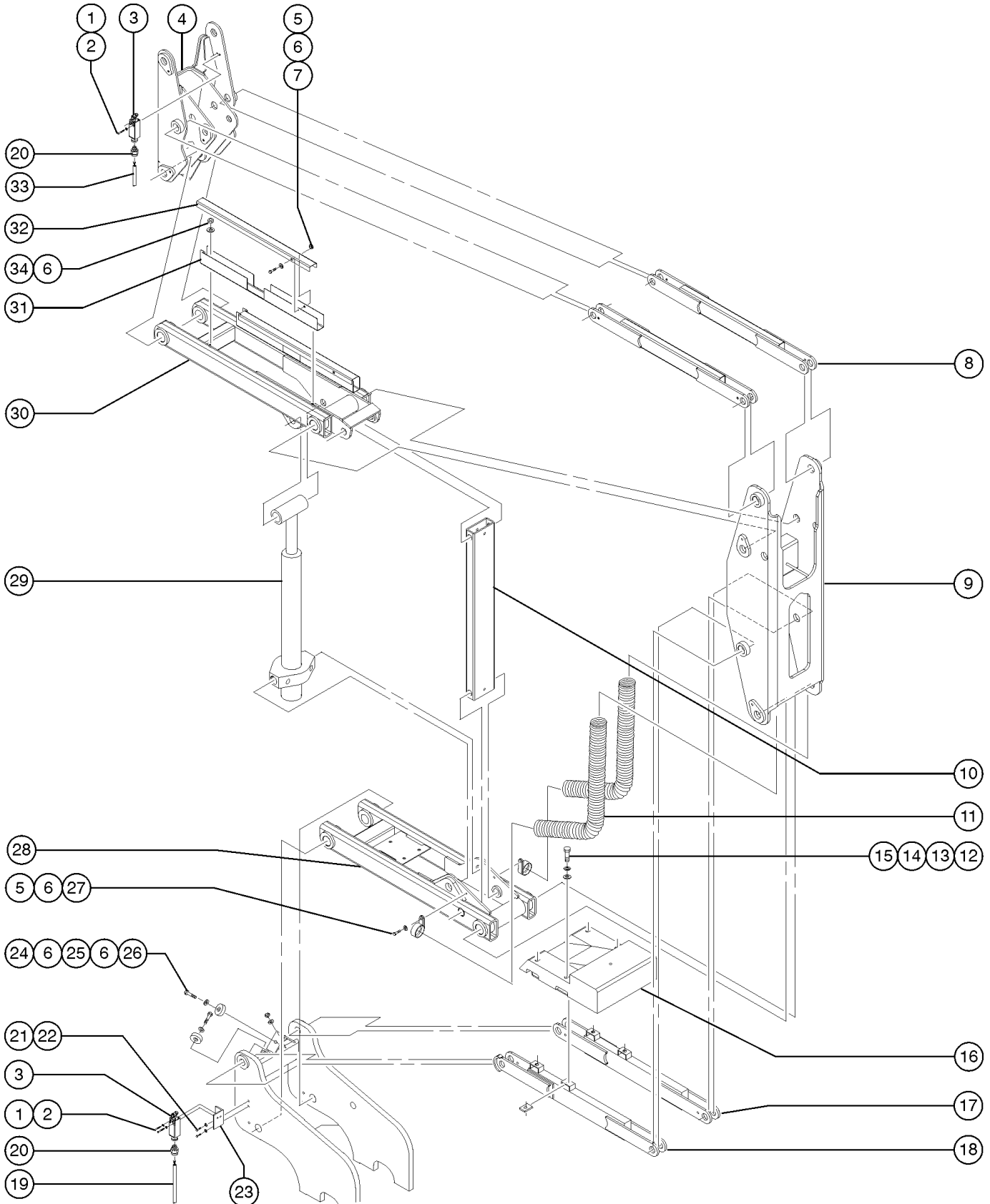


307.1 Wire Harness Diagram

Item	Part No.	Description	Qty.	Item	Part No.	Description	Qty.
--	110234	HARNESS,PBOX JUMPER,Z30/34DC.....1 <i>Z30 to SN 14695</i>	1	15B	217371	HARNESS,LOAD SENSE RECOVERY.....1 <i>Aus market only</i>	1
--	110251	HARNESS,BASE CONTROL,Z30/34DC.....1 <i>Z30 to SN 14695</i>	1				
--	237527	HARNESS,BASE CONTROL,Z30/34DC.....1 <i>Z30 from SN 14696</i>	1				
--	822872	HARNESS,PBOX JUMPER,Z30/34DC.....1 <i>Z30 from SN 14696</i>	1				
2A	110644	HARNESS, PLAT BOX Z30/34DC....1 <i>Z30N to SN 14695</i>	1				
2B	237503	HARNESS,PLAT BOX,Z30/34DC....1 <i>Z30N from SN 14696</i>	1				
3	110243	HARNESS CABLE1 18/19 COND....1 <i>green and brown connectors</i>	1				
4	110235	HARNESS CABLE2 12/3 COND.....1	1				
5	110239	HARNESS CABLE3 18/19 COND....1 <i>gray and black connectors</i>	1				
6	110249	HARNESS FUNCTION MANIFOLD.....1	1				
7A	128975	HARNESS DRIVE CHASSIS Z30/34DC.....1 <i>replaced 110231; from SN 8355 to SN 15221</i>	1				
7B	822704	HARNESS, DRIVE CHASSIS, DC <i>from SN 15222</i>					
8	110244	HARNESS LS1 OP EXT/RET.....1	1				
9	110245	HARNESS LS2 OP PRIMARY.....1	1				
10	110232	HARNESS LS3 OP DRIVE ENABLE.....1	1				
11	110246	HARNESS LS4 OP SECONDARY...1	1				
12A	110256	HARNESS JIB CABLE SMB.....1 <i>Z30N to SN 12101; Z30NRJ to SN 12196</i>	1				
12B	139584	HARNESS, JIB MANIFOLD, NON RJ.....1 <i>Z30N from SN 12102</i>	1				
12C	139585	HARNESS, JIB MANIFOLD, RJ.....1 <i>Z30NRJ from SN 12197</i>	1				
13	110255	ASSEMBLY FOOT SWITCH.....1	1				
14	43956	WIRE CABLE,14/3 CON.TPE JKT*.....600	600				
15A	147251	HARNESS, LOAD SENSE.....1 <i>CE market only</i>	1				



401.1 Secondary Boom - View 1

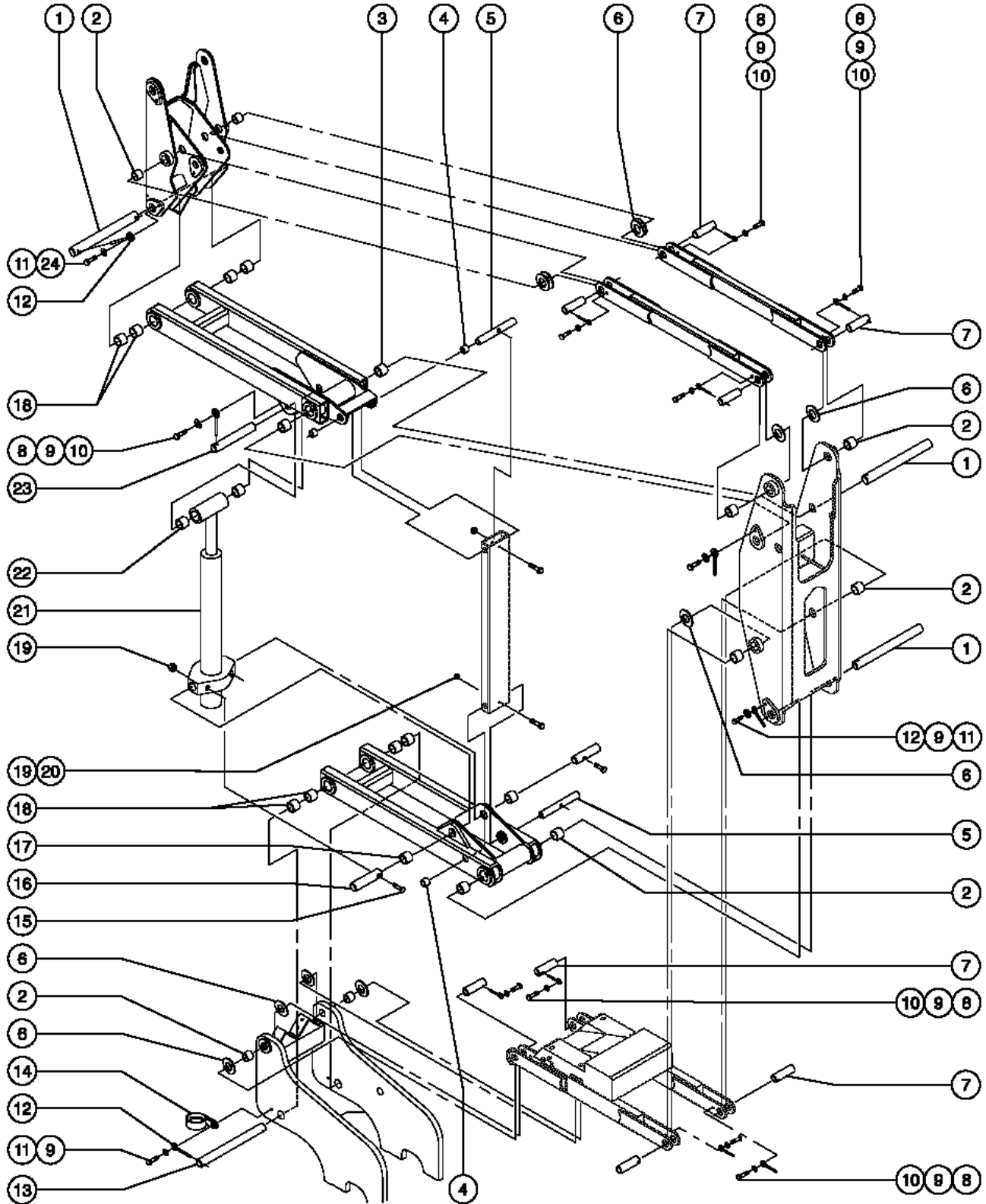


401.1 Secondary Boom - View 1

Item	Part No.	Description	Qty.	Item	Part No.	Description	Qty.
1	49821	SCREW,PHILLIPS,PHM,8-32 X 1.25		19	56051	WIRE	
2	6607	WASHER,LOCK,#10 PLTD				CABLE,16/2,WHT/BLK,SJEOW.72-inches	
3	88356-116R3	SWITCH,LIMIT,W/ROLLER ARM***.....1	1	20	7056	CONN,SQUEEZE,1/2NPT .38-.50,SM	
--	106086	HARNESS,LS,SEC LIFT LS4 Z30/34		21	8914	SCREW,HHC,1/4-20 X .625	
--	106427	LS ROT.HEAD W/O LEVER (ZCE01)		22	6356	WASHER,LOCK,,25	
--	106428	LS STL ROLLER PLUNGER (ZCE02)		23	42413	ANGLE,SWITCH MOUNT***.....1	1
--	106429	LS METAL END PLUNGER (ZCE10)		24	45425	SCREW,FHS,3/8-16 X .75 to SN 4469	
--	106434	LS BLUE PLASTIC BODY (XCKP)		--	8516	SCREW,HHC,3/8-16 X 1.50,GR5 from SN 4470	
--	19491	CONTACTOR,LIMIT SWITCH		25	36366	PAD,UPPER PIVOT REST.....2 to SN 4469	2
--	76450	CONN.SQZ,PG 11,.07-.26,W/ORING		--	74085	REST PAD,UPPER PIVOT Z30N from SN 4470	
--	88356-12103	SWITCH,LIMIT,W/ROLLER ARM***.....1	1	26	4828	NUT,NYLOCK,3/8-16 from SN 4470	
--	97128	ROLLER ARM,LIMIT SWITCH***		27	27497	CLAMP,RUBBER CUSHIONED-2 5/32	
4	37125	UPPER MIDPIVOT ASSEMBLY,Z30N.....1	1	28	37127	LOWER SECONDARY BOOM ASSEMBLY*.....1	1
5	6889	NUT,LP NYLOCK,1/4-20		--	42610	HOSE TRACK,LOWER ARM Z30N from SN 2654	
6	5397	WASHER,FLAT,USS,5/16",Y		--	42611	HOSE TRACK COVER,LOWER ARM from SN 2654	
7	4266	SCREW,HHC,1/4-20 X 2		29	94211	CYLINDER,ELEVATE***.....1 to SN 6843	1
8	74945	COMPRESSION ARM WLDMT 38.50 **.....2	2	--	101349	CYLINDER,ELEVATE.....1 from SN 6844	1
9	40446	LOWER MIDPIVOT ASSY,Z34 &Z34N*.....1	1	--	31106	VALVE,CNTERBAL,CBBB-LHN@3000**	
10	74232	CONNECTING LINK Z30N & Z34***.....1 to SN 4427	1	--	56757	SEAL KIT 42412 ELEVATE** to SN 6843	
--	74232	CONNECTING LINK Z30N & Z34***.....1 from SN 4428	1	--	94254	SEAL KIT*** from SN 6844	
11	42939-18700	WIRE LOOM,1.88 DIA.....187-inches		30	37126	UPPER SECONDARY BOOM ASSEMBLY*.....1 to SN 4115	1
12	21604	SCREW,HHC,3/8-16 X 3.25		--	74334	UPPER SECONDARY BOOM ASSEMBLY from SN 4116	
13	6021	WASHER,LOCK,,375		31	74271	HOSE TRACK,UPPER	
14	80605	WASHER,FLAT,3/8X1.5X.06		32	42609	HOSE TRACK COVER,UPPER ARM	
15	29868	SPRING CLIP,3/8-16		33	44133	WIRE CABLE,16GA/4 CON.TPE JKT.....184-inches	
16	36620	COUNTERWEIGHT,CAST,400 LBS.....1	1	34	45444	NUT,ACORN 3/8-16 PLATED.....4	4
17	94425	COMP ARM WELD LOWER, RIGHT***.....1	1				
18	128632	KIT, SERVICE, Z30 LWR COMP ARM.....1 to SN 11268	1				
18	128634	WELDMENT, LWR COMPRESION ARM from SN 11269					

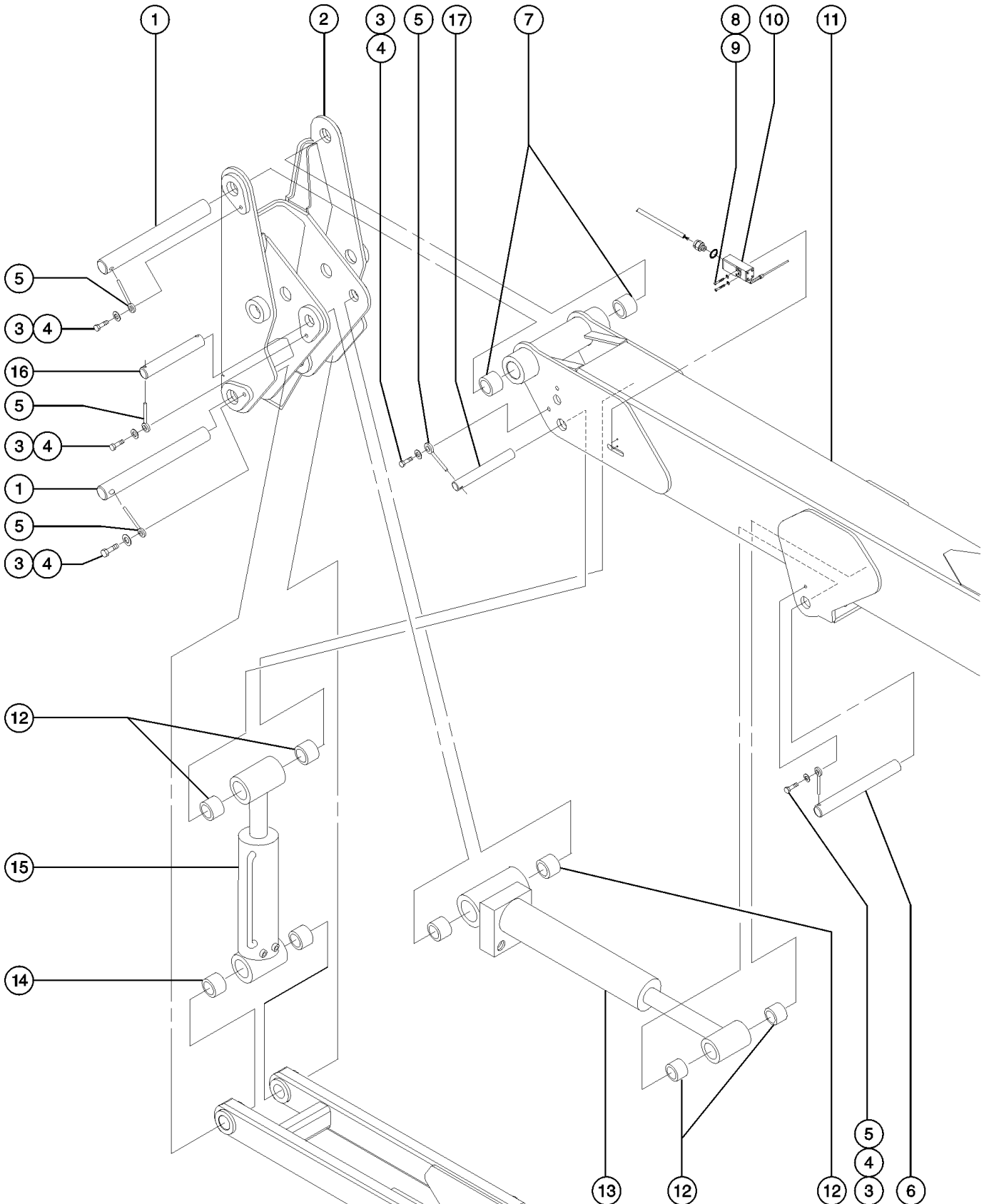


402.1 Secondary Boom - View 2



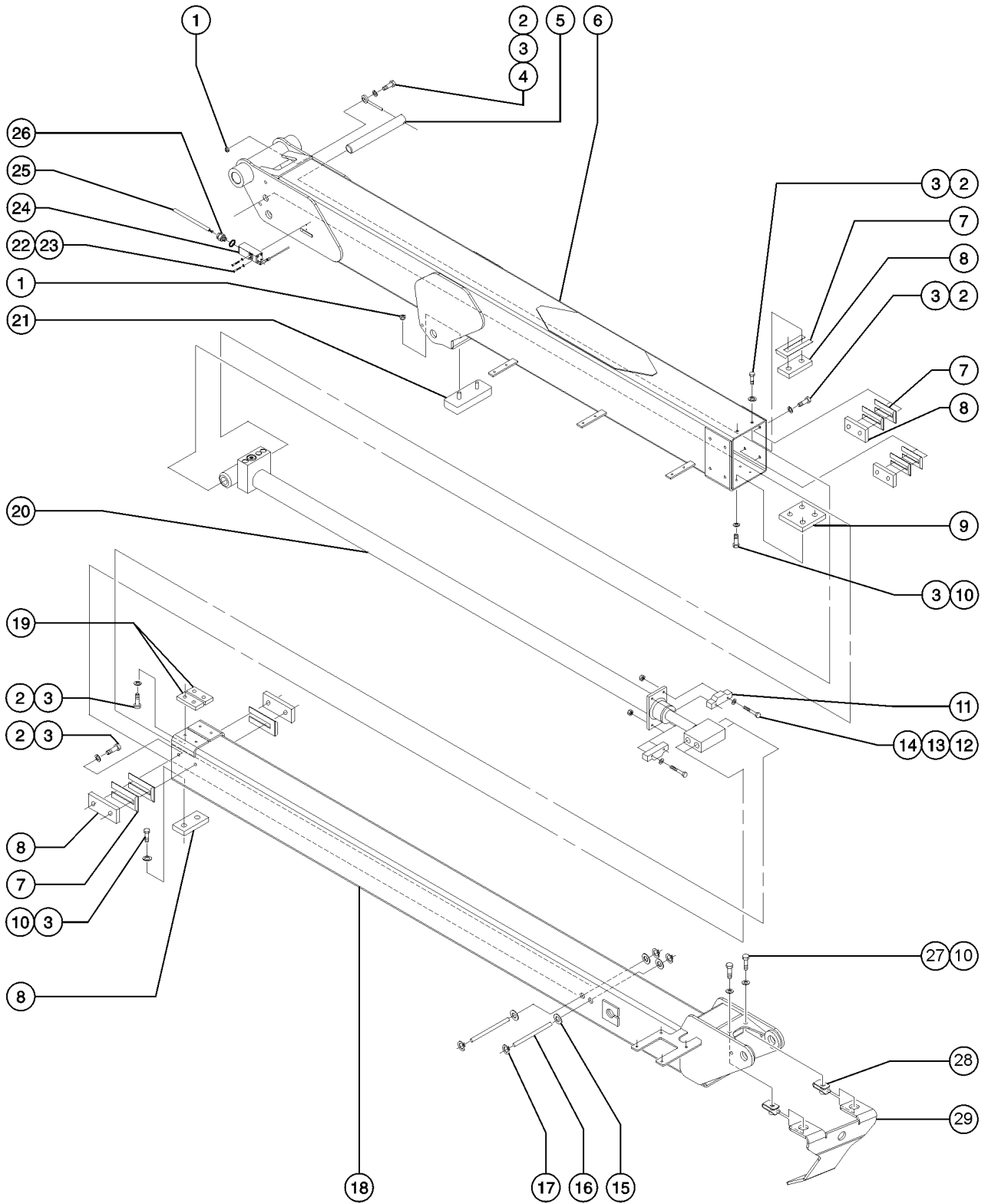
Item	Part No.	Description	Qty.
1	36194	PIN,1.50DIAX15.13LG,1HOLE.....3	
2	34245	BEARING,1.25IDX1.50X1.25L.....10	
3	45071	BEARING,1.5IDX1.75ODX1.5L.....2	
4	36245	BEARING,FL,1.00IDX1.25ODX0.84L.4	
5	36202	PIN,1.00DIAX7.25LG,1HOLE.....2	
6	30255	WASHER,SHIM,1.27 X 2.13 X .062	
7	36390	PIN,1.25DIAX3.63LG,THREADED...8	
8	77692	SCREW,HHC,3/8-16 X 1 GRD 8	
9	6021	WASHER,LOCK,.375	
10	25284	ROD END,.375 X 2.25***.....7	
11	6019	SCREW,HHC,3/8-16 X 1.25 GRD 5	
12	45226	ROD END,.375 X 3.69.....3	
13	36389	PIN,1.50DIAX16.13LG,1HOLE.....1	
14	27497	CLAMP,RUBBER CUSHIONED-2 5/32	
15	6326	SCREW,HHC,3/8-16 X 3	
16	36205	PIN,1.25DIAX3.00LG,THREADED...2	
17	36246	BEARING,FL,1.25IDX1.50ODX1.09L.2	
18	18396	BEARING,1.5IDX1.75ODX1.0L.....4	
19	4828	NUT,NYLOCK,3/8-16	
20	36874	SCREW,BHHS,3/8-16 X 2.5	
21		Ref. Secondary Cylinder (refer to 401.1)	
22	25683	BEARING,POLYGON,20DU12.....2	
23	74089	PIN,1.25DIAx9.63LG,1HOLE.....2	
24	5397	WASHER,FLAT,USS,5/16",Y	

403.1 Upper Pivot



Item	Part No.	Description	Qty.	Item	Part No.	Description	Qty.
1	36194	PIN,1.50DIAX15.13LG,1HOLE.....	1	--	94259	SEAL KIT, 94216 <i>from SN 6089; check stamp on cylinder prior to ordering</i>	
2	40447	UPPER MIDPIVOT ASSY,Z34 & Z34N.....	1	16	36198	PIN,1.25DIAX8.12LG,1HOLE	
3	6019	SCREW,HHC,3/8-16 X 1.25 GRD 5		17	74091	PIN,1.25DIAX9.13LG,1HOLE.....	1
4	6021	WASHER,LOCK,,375					
5	45226	ROD END,,375 X 3.69.....	3				
6	74091	PIN,1.25DIAX9.13LG,1HOLE..... <i>to SN 5932</i>	1				
--	36198	PIN,1.25DIAX8.12LG,1HOLE <i>from SN 5933</i>					
7	45071	BEARING,1.5IDX1.75ODX1.5L.....	2				
8	49821	SCREW,PHILLIPS,PHM,8-32 X 1.25					
9	6607	WASHER,LOCK,#10 PLTD					
10	88356-127J5	SWITCH,LIMIT,W/6.25"SPRING ARM..... <i>to SN 7015</i>	1				
--	106082	HARNES,LS,EXT/RET LS1 Z30					
--	106433	LS SPRING WAND (ZCY91)					
--	19491	CONTACTOR,LIMIT SWITCH					
--	22359	SPRING ARM,LIMIT SWITCH,6.25"					
--	88356-127J5	SWITCH,LIMIT,W/6.25"SPRING ARM..... <i>from SN 7016</i>	1				
11		Ref. Primary Boom Tube Assembly with Decals (refer to 404.1)					
12	47377	BEARING,1.25 ID X 1.5 OD X .75....	6				
13	94215	CYLINDER,PRIMARY..... <i>includes item 12</i>	1				
--	33428	VALVE,COUNTERBALANCE <i>to SN 6461</i>					
--	43937	VALVE,CB.CBBC-LHN@3200*** <i>from SN 6462</i>					
--	48402	SEAL KIT,42407,42559 CYL,TEXAS <i>to SN 5570</i>					
--	83085	SEAL KIT (74588) <i>from SN 5571 to 6041</i>					
--	94258	SEAL KIT, 94215, 94430 <i>from SN 6042</i>					
14	52625	BEARING,1.50 X 1.66 X 1.5					
15	94216	CYLINDER,MASTER <i>includes items 12 and 14</i>					
--	52620	SEAL KIT-EXT CYL & SLAVE CYL.* <i>to SN 6088; check stamp on cylinder prior to ordering</i>					

404.1 Primary and Extension Booms



404.1 Primary and Extension Booms

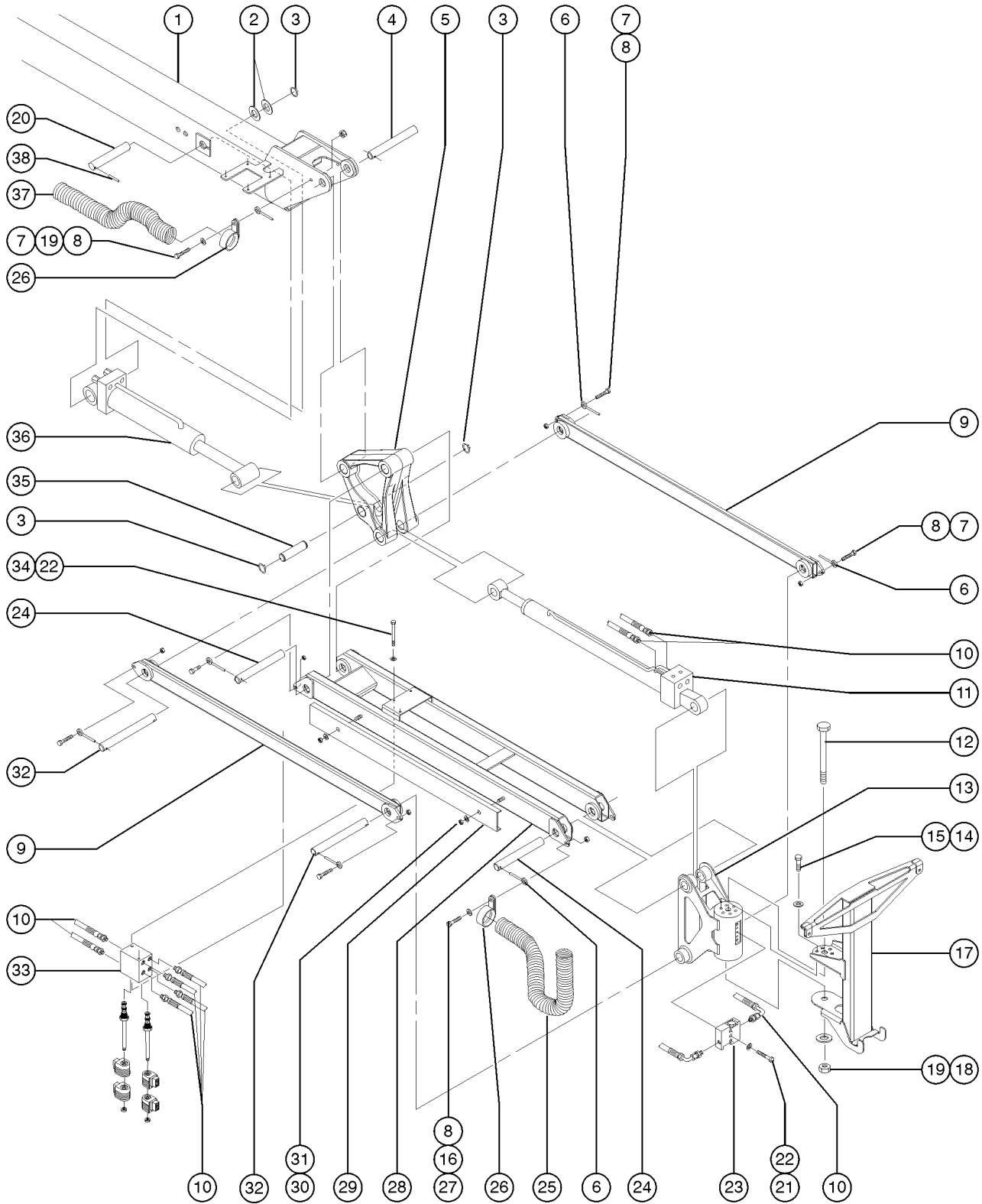
Item	Part No.	Description	Qty.	Item	Part No.	Description	Qty.
--		<i>For models with rotating jib, refer to figures 501.1, 501.2 or 502.1</i>		--	147143	SEAL KIT,147138 & 147139 models without rotating jib (for 147139 cylinder)	
1	7713	NUT,LP NYLOCK,3/8-16		--	36648	VALVE,COUNTERBALANCE 2500 PSI*1 models without rotating jib (for 147139, 94213 cylinder)	
2	6019	SCREW,HHC,3/8-16 X 1.25 GRD 5		--	74508	VALVE,CHECK,COBA-X*N 200PSI PO1 models without rotating jib (for 147139, 94213 cylinder)	
3	6021	WASHER,LOCK,,375		--	74509	VALVE,CHECK,CXAD-XCN,30PSI..1 models without rotating jib (for 147139, 94213 cylinder)	
4	45226	ROD END,,375 X 3.69.....1		--	83086	SEAL KIT,74998 models without rotating jib (for 74568 cylinder)	
5	101557	PIN,1.00DIA X 9.01LG,THREADED...1		--	94256	SEAL KIT, 94213 models without rotating jib (for 94213 cylinder)	
6A	74795	PRIMARY BOOM TUBE ASSY,30N**1 to SN 4116		20B	94214	CYLINDER,EXTENSION,Z30NRJ*** models with rotating jib	
--		BEARING, MID-PIVOT (refer to 403.1)		--	36648	VALVE,COUNTERBALANCE 2500 PSI*2 models with rotating jib	
6B	74795	PRIMARY BOOM TUBE ASSY,30N** from SN 4117		--	94257	SEAL KIT*** models with rotating jib (for 94214 cylinder)	
7	29080	SHIM,WEAR PAD,5X 1.5 16GA		21	36413	REST PAD,PRIMARY BOOM to SN 4113	
--	42502	SHIM,SIDE PAD 22GA.		--	56849	PAD,REST,1"THICK,W/STUDS* from SN 5123	
8	34125	WEAR PAD,5 X 1.5 X .75 W/NUTS.....8		22	49821	SCREW,PHILLIPS,PHM,8-32 X 1.25	
9	42621	WEAR PAD,PRIMARY BOOM.....1		23	6607	WASHER,LOCK,#10 PLTD	
10	6888	SCREW,HHC,1/4-20 X 1		24	88356-127J5	SWITCH,LIMIT,W/6.25"SPRING ARM	
11	74066	WEAR PAD,EXT CYL***1 to SN 6264		--	19491	CONTACTOR,LIMIT SWITCH	
--	74066	WEAR PAD,EXT CYL*** from SN 6265		--	22359	SPRING ARM,LIMIT SWITCH,6.25"	
12	4266	SCREW,HHC,1/4-20 X 2		25	56051	WIRE CABLE,16/2,WHT/BLK,SJEOW.264-inches	
13	6638	WASHER,FLAT,USS,1/4"Y		26	7056	CONN,SQUEEZE,1/2NPT .38-.50,SM	
14	6091	NUT,NYLOCK,1/4-20		27	6356	WASHER,LOCK,,25	
15	6563	WASHER,SHIM,,.75 X 1.125 X.030.....4		28	56912	SPRING CLIP,1/4-20,.025-.15X.5.....2	
16	36192	PIN,0.75DIA X 5.51LG,2RING.....2		29	147079	BRACKET, HOSE ROUTING.....1 from SN Z30N10-12120	
17	10262	SNAP RING,EXTERNAL,.75 DIA.....4		--	56361	CABLE TIE,BUTTON,BLACK,14.75LG	
18A	36281	MACHINED,EXTENSION TUBE.....1 to SN 4623					
18B	139840	EXT BOOM ASSY,Z30N RETROFIT*** from SN 4624 to SN 12119					
18C	147487	WELDMENT, EXT BOOM, Z30N.....1 from SN 12120					
--	35675	BEARING,FL,1.25IDX1.5ODX1.25L from SN 12120					
19	45745	WEAR PAD,4 X 2 X.50 THK.BLACK.....2					
20A	147139	CYLINDER,EXTENSION.....1 models without rotating jib					



Item	Part No.	Description	Qty.
1		Ref. Primary and Extension Booms	
2	6090	SCREW,HHC,1/4-20 X .75	
3	6638	WASHER,FLAT,USS,1/4"Y	
4	6091	NUT,NYLOCK,1/4-20	
5	6833	CLAMP,0.50,#8 X 1/4,RUB CUSH....4	
6A	42763	TRACK,PLASTIC CABLE,25 LINK 4".....1 <i>to SN 11979</i>	
--	58919	REPAIR LINK,7 LINKS*** <i>for 42763</i>	
--	58920	REPAIR LINK END SET (42763)* <i>for 42763</i>	
--	58927	LINK,NYLATRAC KS6-5.4*** <i>for 42763</i>	
6B	139537	CABLE TRACK,NYLATRAC,26 LINK.....1 <i>from SN 11980</i>	
--	139540	REPAIR LINK,NYLATRAC,7 LINKS <i>for 139537</i>	
--	139541	BRACKET SET,NYLATRAC,KS400 <i>for 139537</i>	
--	139542	LINK,NYLATRAC,KS400 <i>for 139537</i>	
7A	42694P	CHANNEL,LWR, TRACK PAINTED**.....1 <i>to SN 4115</i>	
7B	56983P	CHANNEL,LWR TRAY PLASTIC TK ** <i>from SN 4116</i>	
8	6888	SCREW,HHC,1/4-20 X 1	
9A	42693	CHANNEL,UPPER,PLASTIC TRACK,5".....1 <i>to SN 4598</i>	
9B	74119P	CHANNEL,UPPER PLASTIC TRACK <i>from SN 4599</i>	
10	27497	CLAMP,RUBBER CUSHIONED-2 5/32.....3	



406.1 Jib Boom and Platform Rotator



406.1 Jib Boom and Platform Rotator

Item	Part No.	Description	Qty.	Item	Part No.	Description	Qty.
1		EXTENSION BOOM TUBE <i>refer to 404.1</i>		--	56925	SCREW,HHC,3/4-10 X 9.5 GR 8 YE.....1	
2	30255	WASHER,SHIM,1.27 X 2.13 X .062.....6 <i>Qty 2 to SN 11973, QTY 4 from SN 11974</i>		13A	36062	ROTATOR,HELICAL,PLATFORM***.1 <i>from SN 1932 to 3720</i>	
3	74019	SNAP RING,EXTERNAL.....1		--	106422	KIT,SEAL& BEARING,ARC,ROT.9K**	
4A	T107884	PIN,1.25DIAX7.00LG,1HOLE.....1 <i>from SN 1932 to 11922</i>		--	30222	BEARING,FL,1.25IDX1.41ODX1.50L	
4B	128550	PIN,1.25DIAX7.64LG,2RING.....1 <i>from SN 11923</i>		--	31498	BEARING KIT,ROTATOR,9K*** <i>from SN 1932 to 3720</i>	
--	74865	BEARING,FL,1.25IDX1.50ODX1.25L.2 <i>with flange</i>		--	65842	SEAL KIT,UNIVERSAL,9K ROTATOR* <i>from SN 1932 to 3720</i>	
--	74866	BEARING,1.25IDX1.50ODX1.25L....2		13B	56591	ROTATOR,HELICAL PLATFORM***1 <i>from SN 3721 to 7041 (obsolete)</i>	
5A	37128	BELLCRANK ASSEMBLY, Z30N,Z34**1 <i>to SN 4935</i>		--	30222	BEARING,FL,1.25IDX1.41ODX1.50L	
5B	74587	BELLCRANK ASSEMBLY, Z30N,Z34 <i>from SN 4936</i>		--	62509	SEAL KIT,ROTATOR***	
6	45226	ROD END,.375 X 3.69.....6		--	77892	SEAL KIT,ARCTIC,ROTATOR 4.5K**	
7	8516	SCREW,HHC,3/8-16 X 1.50,GR5		--	83042	BEARING KIT,ROTATOR,4.5K***	
8	4828	NUT,NYLOCK,3/8-16		13C	94404	ROTATOR,PLAT JIB.....1 <i>from SN 3721 to 7041 (obsolete)</i>	
9	36054-S	COMPRESSION MEMBER (BORED)***2		--	147369	SEAL AND BRG KIT,4.5K ROTATOR* <i>from SN 3721 to 7041</i>	
10		HYDRAULIC HOSES AND FITTINGS <i>refer to 804.1</i>		--	30222	BEARING,FL,1.25IDX1.41ODX1.50L	
11A	94218	CYLINDER,JIB.....1 <i>from SN 6064 (Identify part number on cylinder before ordering. For cylinder 147142, order 147147)</i>		13D	233717	ROTATOR,PLAT,Z30/34/Z40.....1 <i>(replaced 94404)</i>	
--	25683	BEARING,POLYGON,20DU12		--	233745	SEAL AND BRG KIT,4.5K ROTATOR	
--	31106	VALVE,CNTERBAL,CBBB-LHN@3000**		--	30222	BEARING,FL,1.25IDX1.41ODX1.50L	
--	94261	SEAL KIT,94218 <i>for 94218 cylinder (from SN 6064)</i>		14	10597	SCREW,HHC,1/2-13 X 1.25 GR5 <i>to SN 3720</i>	
11B	147147	SEAL KIT,147142 <i>from SN 6064, for cylinder 147142 (Identify part number on cylinder before ordering. For cylinder 94218, order 94261)</i>		--	94195	SCREW,HHC,3/8-16 X .75,GR 8 <i>from 3721</i>	
11C	83087	SEAL KIT (74593) <i>for 74593 cylinder (from SN 5782 to 6063)</i>		15	6033	WASHER,LOCK,0.5" <i>to SN 3720</i>	
11D	48405	SEAL KIT,CYLINDER*** <i>for 42507, 56152 and 56362 cylinders (to SN 5781)</i>		15	6097	WASHER,FLAT,USS,3/8",Y <i>from SN 3721</i>	
12	73928	SCREW,HHC,1-8 X 11,GRD 5*** <i>to SN 3720</i>		16	5397	WASHER,FLAT,USS,5/16",Y	
				17	36249-S	PLATFORM SUPPORT WELD.Z30N,Z34.....1 <i>to SN 3720</i>	
				--	56500-S	WELDMENT,PLATFORM SUPPORT*** <i>from SN 3721</i>	
				18	33265	NUT,HEX,1-8 <i>to SN 3720</i>	

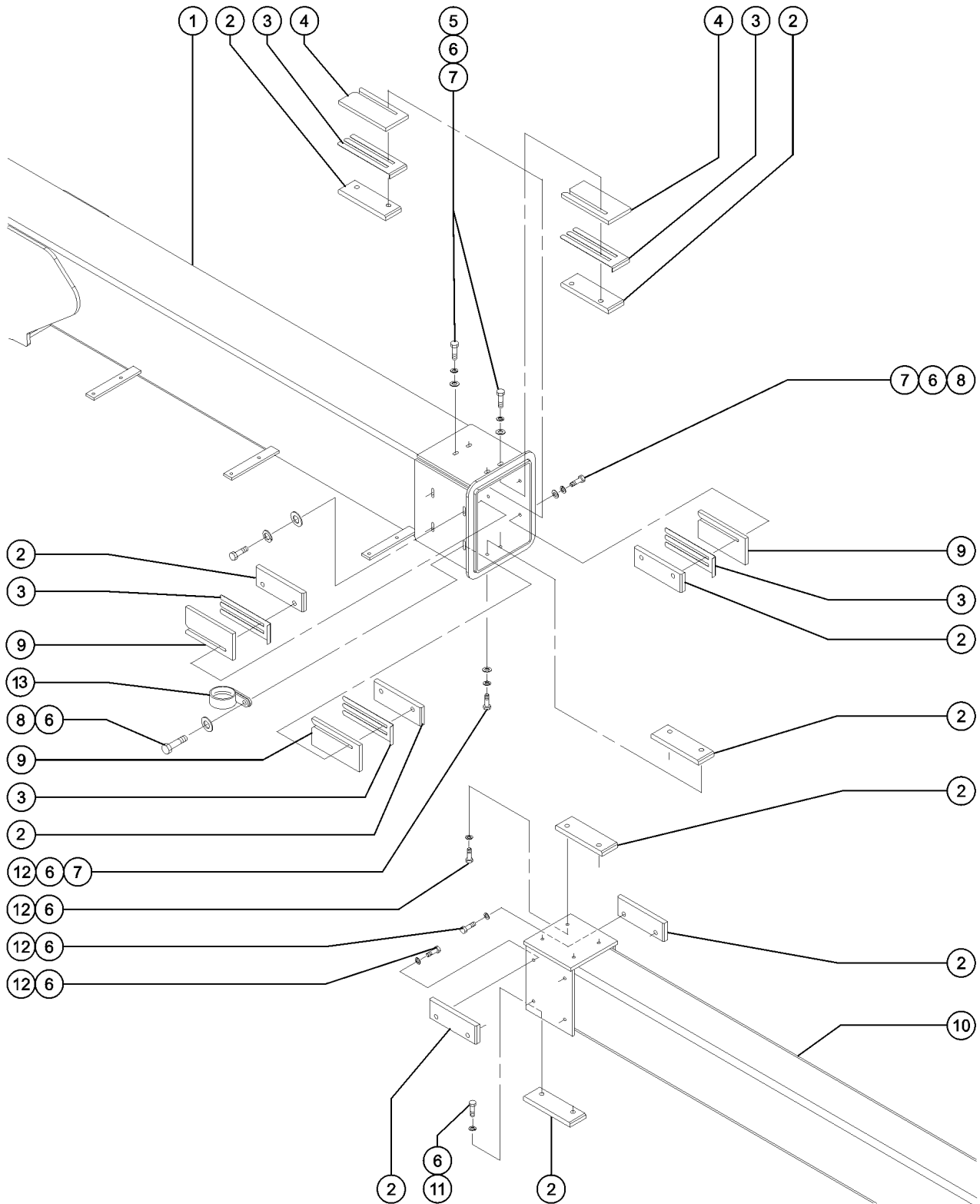


406.1 Jib Boom and Platform Rotator
(continued)

Item	Part No.	Description	Qty.	Item	Part No.	Description	Qty.
--	77051	NUT,NYLOCK,3/4-10,GRD.8 <i>from SN 3721</i>		36	94217	CYLINDER,SLAVE,DONGYANG.....1	
19	29605	WASHER,LOCK,1" <i>to SN 3720</i>		--	147146	SEAL KIT,147141 <i>cylinder 94217 (Dongyang) or 147141 (Shin Hung) may be installed, check stamp on cylinder before ordering</i>	
--	33278	WASHER,FLAT,.75 HARDENED <i>from SN 3721</i>		--	35088	BEARING,FL,1.25IDX1.41ODX.89L <i>rod end, 94217 and 147141</i>	
20A	36190	PIN,SLAVE CYL,1.25 X 6.06*** <i>to SN 5951</i>		--	47377	BEARING,1.25 ID X 1.5 OD X .75 <i>barrel end, 94217 and 147141</i>	
20B	94153	PIN,1.25DIAX5.70LG,2RING <i>from SN 5952 to 12119</i>		--	52620	SEAL KIT-EXT CYL & SLAVE CYL.* <i>for cylinder 74968, 74589, 74454 and 42404; check stamp on cylinder prior to ordering</i>	
20C	50546	PIN,1.25DIAX6.36LG,2RING <i>from SN 12120</i>		--	74614	BUSHING, FLANGED	
21	6145	SCREW,HHC,1/4-20 X 1.5		--	74735	VALVE,COUNTERBALANCE <i>for cylinders 94217 and 147141</i>	
22	6356	WASHER,LOCK,.25		--	94260	SEAL KIT, 94217 <i>for cylinder 94217; check stamp on cylinder prior to ordering</i>	
23	43166	MANIFOLD,ASSY DUAL CNTRBAL.....1 <i>to SN 3720</i>	1	37	42929	HOSE,RET.FILTER DWN TUBE RUBBE.....28-inches	
--	39345	VALVE,COUNTERBAL.CBCA-LHN@3000		38	10665	PIN,ROLL,.25 X 1.5.....1	
--	56929	MANIFOLD,ROTATOR,180 DEG.***1 <i>from SN 3721</i>	1	39	30217	SNAP RING,EXTERNAL,1.25 DIA.** <i>from SN 11974</i>	
--	62506	VALVE - COUNTERBALANCE**					
--	62507	O-RING, ROTATOR MANIFOLD					
24	36199	PIN,1.25DIA.X10.38LG,1HOLE.....2	2				
25	42939	WIRE LOOM,1.88 DIA.....120-inches					
26	27497	CLAMP,RUBBER CUSHIONED-2 5/32					
27	6019	SCREW,HHC,3/8-16 X 1.25 GRD 5					
28	36279	JIB BOOM MACHINED.....1 <i>to SN 4115</i>	1				
28	56976	JIB BOOM MACH <i>from SN 4116</i>					
29	36561-S	HOSE COVER,JIB BOOM**.....1	1				
30	6091	NUT,NYLOCK,1/4-20					
31	6638	WASHER,FLAT,USS,1/4"Y					
32	42797	PIN,1.25DIAX12.50LG,2HOLE.....2	2				
33		JIB MANIFOLD <i>refer to 705.1</i>					
34	6090	SCREW,HHC,1/4-20 X .75					
35	36189	PIN,SLAVE CYL,1.25 X 4.38.....1 <i>to SN 4029</i>	1				
--	139655	PIN,SLAVE CYLINDER.....1 <i>from SN 11974</i>	1				
--	56749	PIN,SLAVE CYLINDER.....1 <i>from SN 4030 to 11973</i>	1				

This Page Intentionally Left Blank

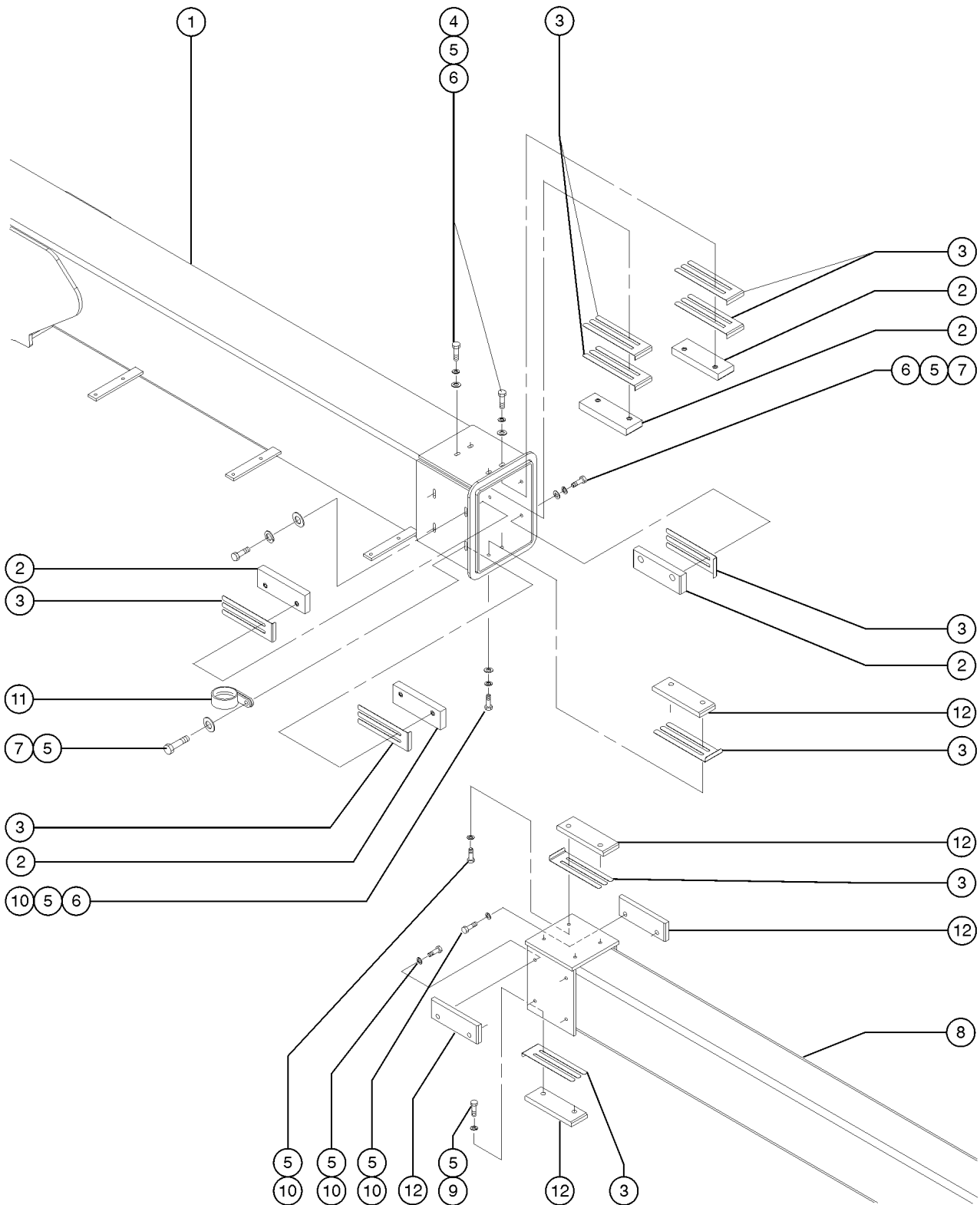
501.1 Primary Boom Wear Pads (to SN 6456)



501.1 Primary Boom Wear Pads (to SN 6456)

Item	Part No.	Description	Qty.
--		<i>For models without rotating jib, refer to figure 404.1</i>	
1	74345	PRIMARY BOOM TUBE ASSEMBLY.....	1
2	74044	WEAR PAD,EXT BOOM***	16
3	74134	SHIM,WEAR PAD .030.....as-needed	
4	74056	SPACER PLATE,PRIMARY TOP.....	2
5	6145	SCREW,HHC,1/4-20 X 1.5	
6	6356	WASHER,LOCK,.25	
7	6638	WASHER,FLAT,USS,1/4"Y	
8	8915	SCREW,HHC,1/4-20 X 1.25	
9	74057	SPACER PLATE,PRIMARY SIDE.....	4
10	56961	MACH,EXTENSION BOOM.....	1
11	6090	SCREW,HHC,1/4-20 X .75	
12	6888	SCREW,HHC,1/4-20 X 1	
13	27497	CLAMP,RUBBER CUSHIONED-2 5/32.....	1

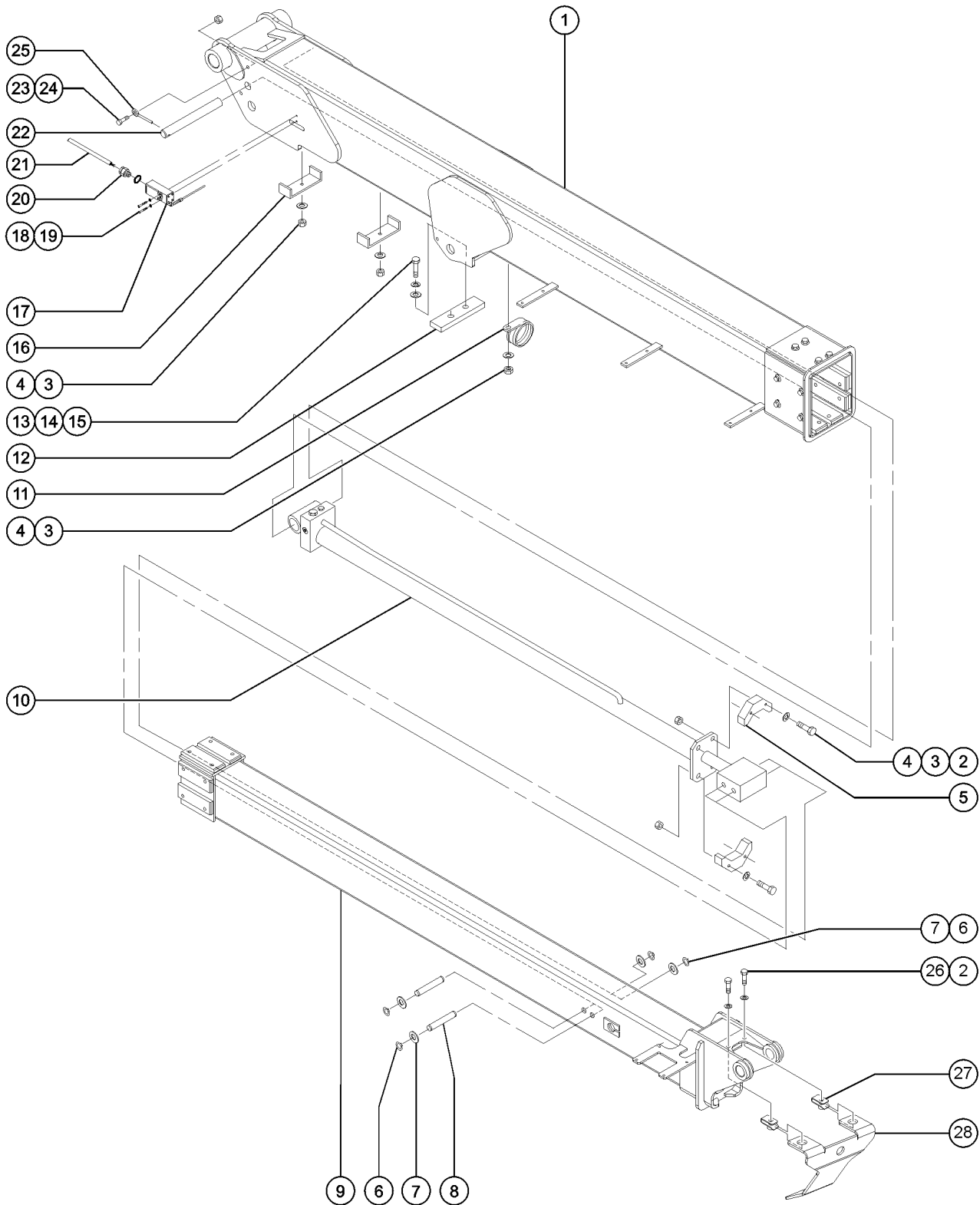
501.2 Primary Boom Wear Pads (from SN 6457)



501.2 Primary Boom Wear Pads (from SN 6457)

Item	Part No.	Description	Qty.
--		<i>For models without rotating jib, refer to figure 404.1</i>	
1	94032	WELDMENT,PRIMARY BOOM.....1	
2	101429	WEAR PAD,EXT BOOM***6	
3	74134	SHIM,WEAR PAD .030.....as-needed	
4	6145	SCREW,HHC,1/4-20 X 1.5	
5	6356	WASHER,LOCK,.25	
6	6638	WASHER,FLAT,USS,1/4"Y	
7	8915	SCREW,HHC,1/4-20 X 1.25	
8	56961	MACH,EXTENSION BOOM.....1	
9	6090	SCREW,HHC,1/4-20 X .75	
10	6888	SCREW,HHC,1/4-20 X 1	
11	27497	CLAMP,RUBBER CUSHIONED-2 5/32.....1	
12	74044	WEAR PAD,EXT BOOM***10	

502.1 Primary and Extension Booms

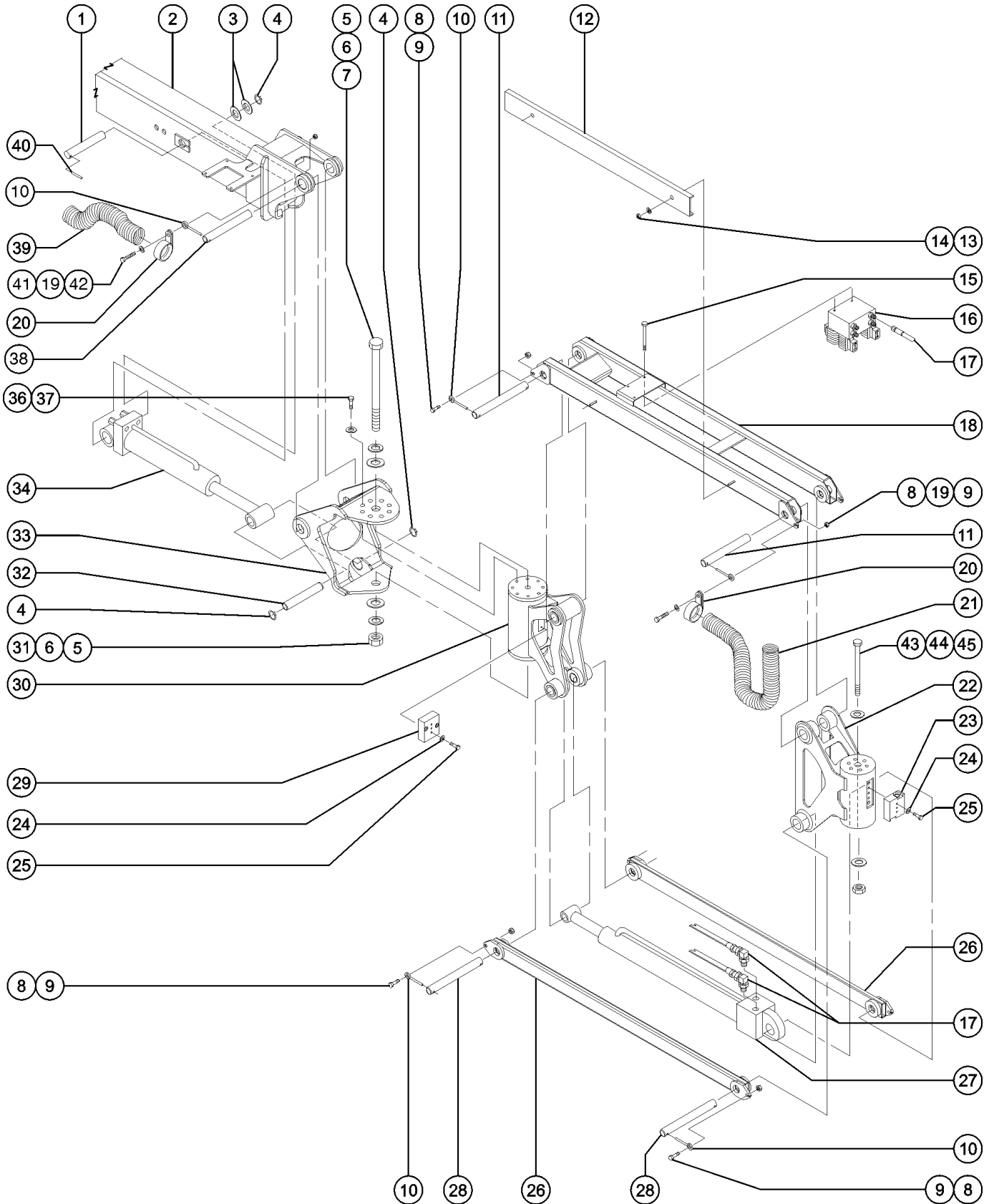


502.1 Primary and Extension Booms

Item	Part No.	Description	Qty.	Item	Part No.	Description	Qty.
--		<i>For models without rotating jib, refer to figure 404.1</i>		18	16486	SCREW,RHM,10-32 X 1.75	
--		BEARING, MID-PIVOT.....2 <i>(refer to 403.1)</i>	2	19	6607	WASHER,LOCK,#10 PLTD	
1A	74345	PRIMARY BOOM TUBE ASSEMBLY.....1	1	20	7056	CONN,SQUEEZE,1/2NPT .38-.50,SM	
1B	94032	WELDMENT,PRIMARY BOOM.....1	1	21	56051	WIRE CABLE,16/2,WHT/BLK,SJEOW	
2	6888	SCREW,HHC,1/4-20 X 1		22	101557	PIN,1.00DIAX9.01LG,THREADED...1	
3	6638	WASHER,FLAT,USS,1/4"Y		23	13918	SCREW,HHC,3/8-16 X 1.75,GRD.8.....1	
4	6091	NUT,NYLOCK,1/4-20		24	7713	NUT,LP NYLOCK,3/8-16	
5	74066	WEAR PAD,EXT CYL***1	1	25	45226	ROD END,.375 X 3.69.....1	
6	10262	SNAP RING,EXTERNAL,.75 DIA.....2	2	26	6356	WASHER,LOCK,.25	
7	6563	WASHER,SHIM,.75 X 1.125 X.030.....2	2	27	56912	SPRING CLIP,1/4-20,.025-.15X.5.....2	
8	36192	PIN,0.75DIAX5.51LG,2RING.....2	2	28	147079	BRACKET, HOSE ROUTING.....1 <i>from SN Z30N10-12120</i>	
9A	139841	EXT BOOM ASSY, Z30NRJ RETROFIT.....1 <i>to SN 12119</i>	1	--	56361	CABLE TIE,BUTTON,BLACK,14.75LG	
9B	147637	ASSY, EXT BOOM, Z30NRJ.....1 <i>from SN 12120 (decal not included, refer to section one)</i>	1				
--	35675	BEARING,FL,1.25IDX1.5ODX1.25L <i>from SN 12120</i>					
10	94214	CYLINDER,EXTENSION,Z30NRJ***.1	1				
--	36648	VALVE,COUNTERBALANCE 2500 PSI*					
--	48406	SEAL KIT,42411,42408 CYL,TEXAS					
--	94257	SEAL KIT***					
11	27497	CLAMP,RUBBER CUSHIONED-2 5/32.....3	3				
12	56849	PAD,REST,1"THICK,W/STUDS*1	1				
13	77692	SCREW,HHC,3/8-16 X 1 GRD 8					
14	6021	WASHER,LOCK,.375					
15	5397	WASHER,FLAT,USS,5/16",Y					
16	54530	CLAMP,HOSE,ALUMINUM***2	2				
17	88356-127J5	SWITCH,LIMIT,W/6.25"SPRING ARM.....1	1				
--	106082	HARNESS,LS,EXT/RET LS1 Z30					
--	106433	LS SPRING WAND (ZCY91)					
--	19491	CONTACTOR,LIMIT SWITCH					
--	22359	SPRING ARM,LIMIT SWITCH,6.25"					
--	88356-127J5	SWITCH,LIMIT,W/6.25"SPRING ARM.....1	1				



503.1 Rotating Jib Boom Assembly



503.1 Rotating Jib Boom Assembly

Item	Part No.	Description	Qty.	Item	Part No.	Description	Qty.
1	36190	PIN,SLAVE CYL,1.25 X 6.06***.....1		25	6145	SCREW,HHC,1/4-20 X 1.5	
2		Ref. Extension Boom (refer to 502.1)		26	36054-S	COMPRESSION MEMBER (BORED)***.....2	
3A	30255	WASHER,SHIM,1.27 X 2.13 X .062 (to SN 12198)		27		Ref. Jib Boom Cylinder (refer to 406.1)	
3B	128837	WASHER 1.27ID X1.88OD X.062 (from SN 12199)		28	42797	PIN,1.25DIAX12.50LG,2HOLE	
4	74019	SNAP RING,EXTERNAL.....1		29	74051	MANIFOLD,ROTATOR 200 DEG.....1	
5	74255	SCREW,HHC,1-8 X 12.75		--	62506	VALVE - COUNTERBALANCE**	
6	29605	WASHER,LOCK,1"		--	62507	O-RING, ROTATOR MANIFOLD	
7	74323	WASHER,FLAT,.812X2X.14 HARDEN		30A	74070	ROTATOR,JIB,15K,200 DEG***.....1 (obsolete and replaced by 94403)	
8	6019	SCREW,HHC,3/8-16 X 1.25 GRD 5		--	106423	SEAL KIT,ARCTIC,ROTATOR 15K*** (to SN 7041)	
9	4828	NUT,NYLOCK,3/8-16		--	147077	BEARING KIT,ROTATOR*** (to SN 7041)	
10	45226	ROD END,.375 X 3.69.....5		--	83102	SEAL KIT (to SN 7041)	
11	36199	PIN,1.25DIA.X10.38LG,1HOLE.....2		30B	94403	ROTATOR,JIB,180 DEG,15K*** (replaced 74070; obsolete and replaced by 226540)	
12	36561-S	HOSE COVER,JIB BOOM**.....1		--	147370	SEAL KIT,15K ROTATOR (for rotator SN D1A009 and earlier)	
13	6091	NUT,NYLOCK,1/4-20		--	226542	SEAL KIT, 15K ROTATOR (for rotator SN D1A010 and later)	
14	6638	WASHER,FLAT,USS,1/4"Y		--	34245	BEARING,1.25IDX1.50X1.25L	
15	6090	SCREW,HHC,1/4-20 X .75		--	35675	BEARING,FL,1.25IDX1.5ODX1.25L	
16		Ref. Jib Boom/Platform Rotate Manifold (refer to 705.1)		30C	226540	ROTATOR,JIB,180 DEG,15K (replaced 94403; from SN 12639)	
17		Ref. Hydraulic Hoses and Fittings (refer to 804.1)		--	226542	SEAL KIT, 15K ROTATOR	
18	56976-S	JIB BOOM MACH.....1		--	34245	BEARING,1.25IDX1.50X1.25L	
19	6097	WASHER,FLAT,USS,3/8",Y		--	35675	BEARING,FL,1.25IDX1.5ODX1.25L	
20	27497	CLAMP,RUBBER CUSHIONED-2 5/32.....2		31	33265	NUT,HEX,1-8	
21	42939	WIRE LOOM,1.88 DIA.....22-inches		32A	56749	PIN,SLAVE CYLINDER.....1 (to SN 11973)	
22A	94404	ROTATOR,PLAT JIB.....1 (replaced by 233717)		32B	139655	PIN,SLAVE CYLINDER (from SN 11974)	
--	147369	SEAL AND BRG KIT,4.5K ROTATOR* (for 94404)		33	35675	BEARING,FL,1.25IDX1.5ODX1.25L	
--	30222	BEARING,FL,1.25IDX1.41ODX1.50L		33	74347	JIB PIVOT ASSEMBLY.....1	
22B	233717	ROTATOR,PLAT,Z30/34/Z40.....1 (replaced 94404)		34		Ref. Slave Cylinder (refer to 406.1)	
--	233745	SEAL AND BRG KIT,4.5K ROTATOR		36	10597	SCREW,HHC,1/2-13 X 1.25 GR5	
--	30222	BEARING,FL,1.25IDX1.41ODX1.50L		37	13066	WASHER,FLAT,.5 HARDENED	
23	56929	MANIFOLD,ROTATOR,180 DEG.***.....1		38	74089	PIN,1.25DIAX9.63LG,1HOLE.....1	
--	62506	VALVE - COUNTERBALANCE**					
--	62507	O-RING, ROTATOR MANIFOLD					
24	6356	WASHER,LOCK,.25					

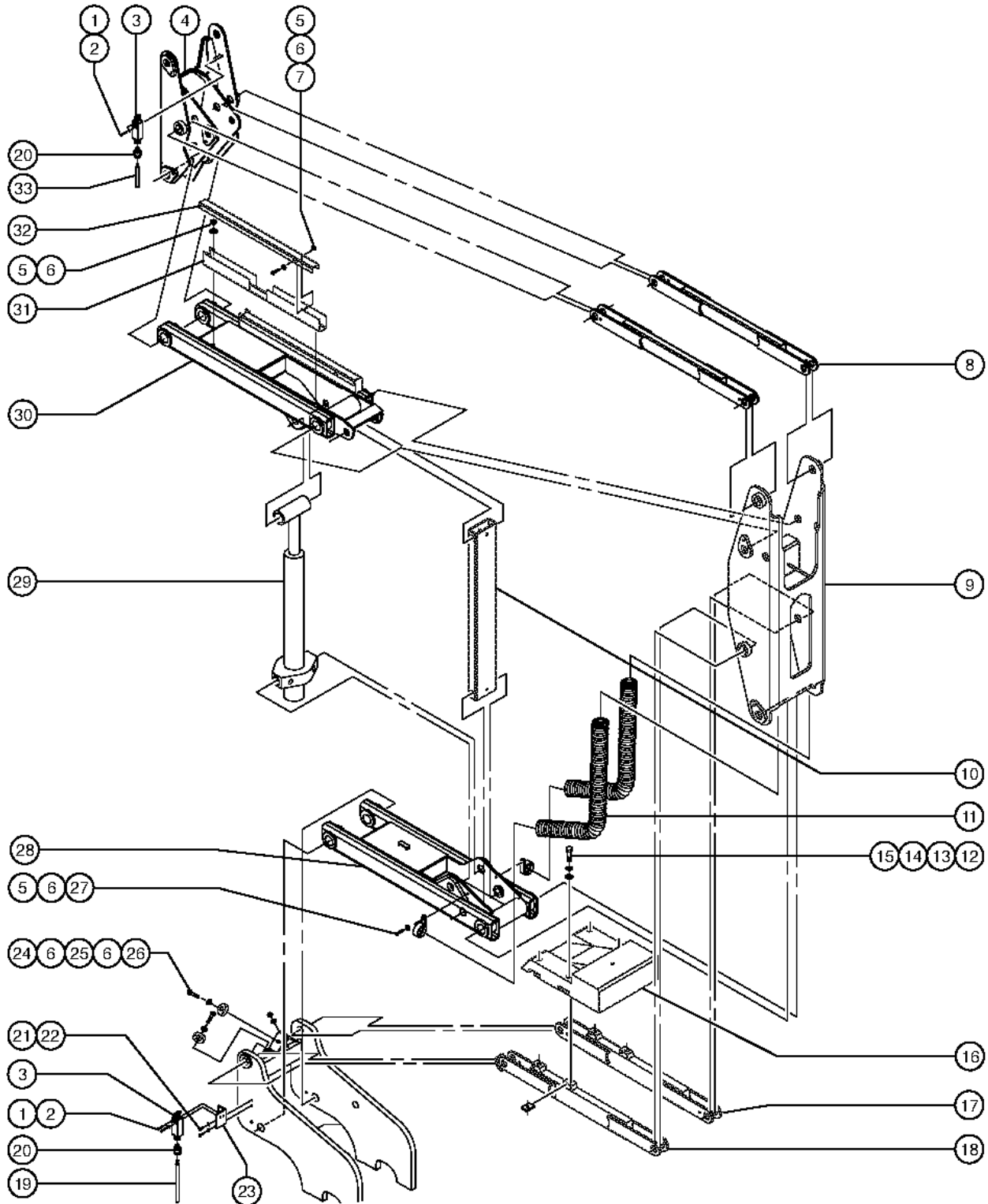


503.1 Rotating Jib Boom Assembly
(continued)

Item	Part No.	Description	Qty.
39	42939	WIRE LOOM,1.88 DIA.....24-inches	
40	10665	PIN,ROLL,.25 X 1.5	
41	6019	SCREW,HHC,3/8-16 X 1.25 GRD 5 (to SN 8808)	
--	77692	SCREW,HHC,3/8-16 X 1 GRD 8 (from SN 8809)	
42	4828	NUT,NYLOCK,3/8-16 (from SN 8809)	
43	77051	NUT,NYLOCK,3/4-10,GRD.8.....1	
44	33278	WASHER,FLAT,.75 HARDENED.....1	
45	56925	SCREW,HHC,3/4-10 X 9.5 GR 8 YE.....1	

This Page Intentionally Left Blank

504.1 Secondary Boom - View 1

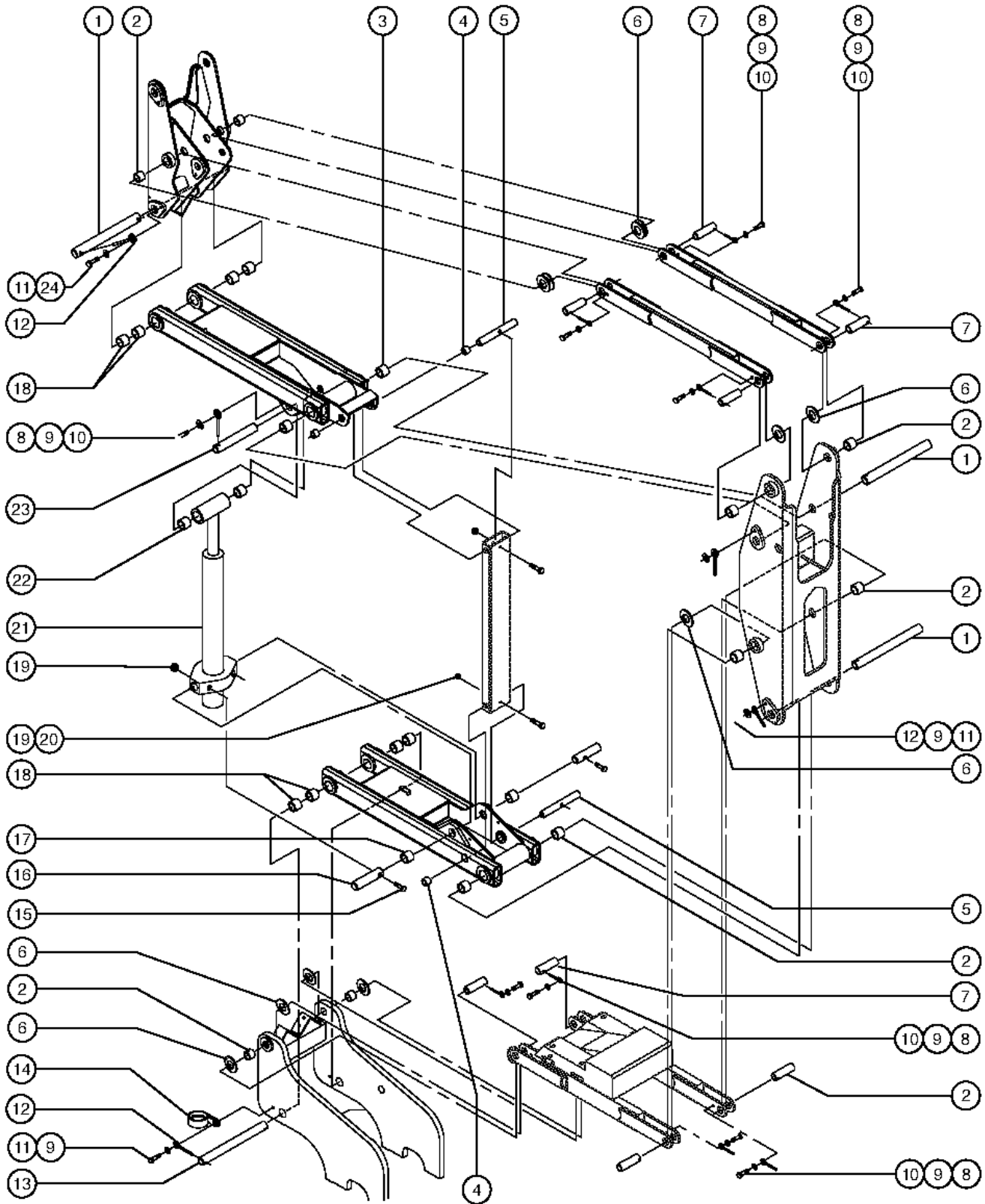


504.1 Secondary Boom - View 1

Item	Part No.	Description	Qty.	Item	Part No.	Description	Qty.
1	49821	SCREW,PHILLIPS,PHM,8-32 X 1.25		22	6356	WASHER,LOCK,,25	
2	6607	WASHER,LOCK,#10 PLTD		23	42413	ANGLE,SWITCH MOUNT***1	
3	88356-116R3	SWITCH,LIMIT,W/ROLLER ARM***1		24	45425	SCREW,FHS,3/8-16 X .75	
--	106086	HARNESS,LS,SEC LIFT LS4 Z30/34		--	8516	SCREW,HHC,3/8-16 X 1.50,GR5	
--	106427	LS ROT.HEAD W/O LEVER (ZCE01)		25	36366	PAD,UPPER PIVOT REST.....2	
--	106428	LS STL ROLLER PLUNGER (ZCE02)		--	74085	REST PAD,UPPER PIVOT Z30N	
--	106429	LS METAL END PLUNGER (ZCE10)		26	4828	NUT,NYLOCK,3/8-16	
--	106434	LS BLUE PLASTIC BODY (XCKP)		27	27497	CLAMP,RUBBER CUSHIONED-2 5/32	
--	19491	CONTACTOR,LIMIT SWITCH		28	128039	UPPER SEC BOOM ASSY Z30N RJ.....1	
--	76450	CONN.SQZ,PG 11,.07-.26,W/ORING		29	94211	CYLINDER,ELEVATE***1	
--	88356-12103	SWITCH,LIMIT,W/ROLLER ARM***1		--	101349	CYLINDER,ELEVATE.....1	
--	97128	ROLLER ARM,LIMIT SWITCH***		--	31106	VALVE,CNTERBAL,CBBB-LHN@3000**	
4	37125	UPPER MIDPIVOT ASSEMBLY,Z30N.....1		--	56757	SEAL KIT 42412 ELEVATE**	
5	6889	NUT,LP NYLOCK,1/4-20		--	94254	SEAL KIT***	
6	5397	WASHER,FLAT,USS,5/16",Y		30	128040	LOWER SECONDARY BOOM ASSEMBLY.....1	
7	4266	SCREW,HHC,1/4-20 X 2		31	74271	HOSE TRACK,UPPER	
8	74945	COMPRESSION ARM WLDMT 38.50 **2		32	42609	HOSE TRACK COVER,UPPER ARM	
9	40446	LOWER MIDPIVOT ASSY,Z34 &Z34N*1		33	44133	WIRE CABLE,16GA/4 CON.TPE JKT	
10	74232	CONNECTING LINK Z30N & Z34***1					
--	74232	CONNECTING LINK Z30N & Z34***					
11	42939-5400	WIRE LOOM,1.88 DIA.....2					
12	21604	SCREW,HHC,3/8-16 X 3.25					
13	6021	WASHER,LOCK,,375					
14	80605	WASHER,FLAT,3/8X1.5X.06					
15	29868	SPRING CLIP,3/8-16					
16	36620	COUNTERWEIGHT,CAST,400 LBS.....1					
17	94425	COMP ARM WELD LOWER, RIGHT***1					
18	128632	KIT, SERVICE, Z30 LWR COMP ARM.....1					
--	128634	WELDMENT, LWR COMPRESION ARM					
19	56051	WIRE CABLE,16/2,WHT/BLK,SJEOV					
20	7056	CONN,SQUEEZE,1/2NPT .38-.50,SM					
21	8914	SCREW,HHC,1/4-20 X .625					

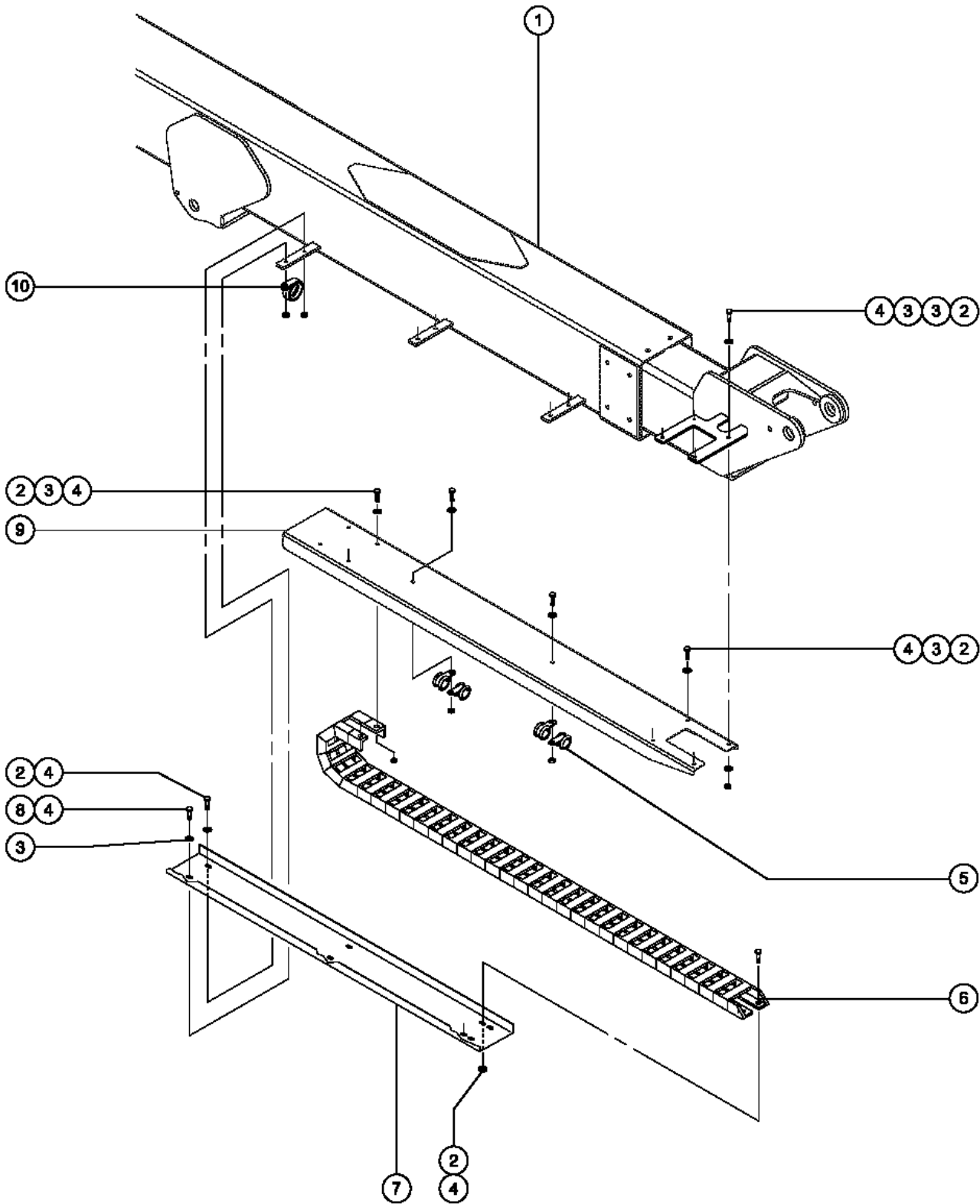


505.1 Secondary Boom - View 2



Item	Part No.	Description	Qty.
1	36194	PIN,1.50DIAX15.13LG,1HOLE.....3	
2	34245	BEARING,1.25IDX1.50X1.25L.....10	
3	45071	BEARING,1.5IDX1.75ODX1.5L.....2	
4	36245	BEARING,FL,1.00IDX1.25ODX0.84L.4	
5	36202	PIN,1.00DIAX7.25LG,1HOLE.....2	
6	30255	WASHER,SHIM,1.27 X 2.13 X .062	
7	36390	PIN,1.25DIAX3.63LG,THREADED...8	
8	77692	SCREW,HHC,3/8-16 X 1 GRD 8	
9	6021	WASHER,LOCK,.375	
10	25284	ROD END,.375 X 2.25***.....7	
11	6019	SCREW,HHC,3/8-16 X 1.25 GRD 5	
12	45226	ROD END,.375 X 3.69.....3	
13	36389	PIN,1.50DIAX16.13LG,1HOLE.....1	
14	27497	CLAMP,RUBBER CUSHIONED-2 5/32	
15	6326	SCREW,HHC,3/8-16 X 3	
16	36205	PIN,1.25DIAX3.00LG,THREADED...2	
17	36246	BEARING,FL,1.25IDX1.50ODX1.09L.2	
18	18396	BEARING,1.5IDX1.75ODX1.0L.....4	
19	4828	NUT,NYLOCK,3/8-16	
20	36874	SCREW,BHHS,3/8-16 X 2.5	
21		Ref. Secondary Cylinder (refer to 504.1)	
22	25683	BEARING,POLYGON,20DU12.....2	
23	74089	PIN,1.25DIAx9.63LG,1HOLE.....1	
24	5397	WASHER,FLAT,USS,5/16",Y	

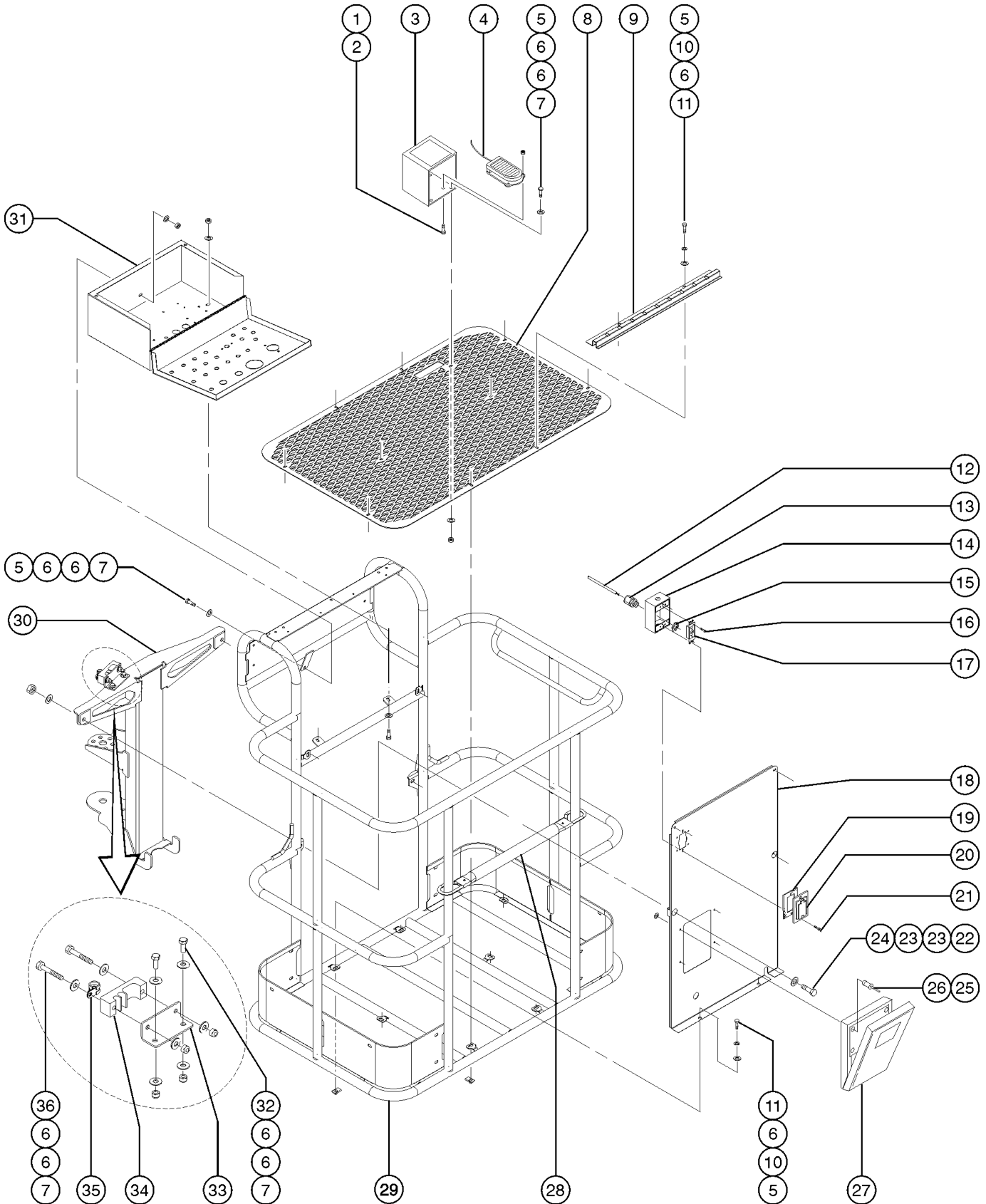
506.1 Cable Track



Item	Part No.	Description	Qty.
1		Ref. Primary and Extension Booms	
2	6090	SCREW,HHC,1/4-20 X .75	
3	6638	WASHER,FLAT,USS,1/4"Y	
4	6091	NUT,NYLOCK,1/4-20	
5	6833	CLAMP,0.50,#8 X 1/4,RUB CUSH....4	
6A	42763	TRACK,PLASTIC CABLE,25 LINK 4".....1 <i>to SN 11979</i>	
--	58919	REPAIR LINK,7 LINKS*** <i>for 42763</i>	
--	58920	REPAIR LINK END SET (42763)* <i>for 42763</i>	
--	58927	LINK,NYLATRAC KS6-5.4*** <i>for 42763</i>	
6B	139537	CABLE TRACK,NYLATRAC,26 LINK.....1 <i>from SN 11980</i>	
--	139540	REPAIR LINK,NYLATRAC,7 LINKS <i>for 139537</i>	
--	139541	BRACKET SET,NYLATRAC,KS400 <i>for 139537</i>	
--	139542	LINK,NYLATRAC,KS400 <i>for 139537</i>	
7A	42694P	CHANNEL,LWR, TRACK PAINTED**.....1 <i>to SN 4115</i>	
7B	56983P	CHANNEL,LWR TRAY PLASTIC TK ** <i>from SN 4116</i>	
8	6888	SCREW,HHC,1/4-20 X 1	
9A	42693	CHANNEL,UPPER,PLASTIC TRACK,5".....1 <i>to SN 4598</i>	
9B	74119P	CHANNEL,UPPER PLASTIC TRACK <i>from SN 4599</i>	
10	27497	CLAMP,RUBBER CUSHIONED-2 5/32.....3	



601.1 Platform



601.1 Platform

Item	Part No.	Description	Qty.	Item	Part No.	Description	Qty.
--	101985	PLAT ASSY W/DECAL(US/CANADA) <i>USA/Canada</i>		6	6638	WASHER,FLAT,USS,1/4"Y	
--	101986	PLAT ASSY W/DECAL (CE) <i>Europe</i>		7	6091	NUT,NYLOCK,1/4-20	
--	101987	PLAT ASSY W/DECAL (AUSTRALIA) <i>Australia</i>		8	56465P	FLOORING,PLATFORM 46X30,PAINT	
--	101988	PLAT ASSY W/DECAL (ASIA/S.AMER <i>Asia/South America</i>		9	56656	PLATFORM STEP.....1	
--	54817P-S	TOEBOARD,PLTFM ENTRY EUR,PNTD*		10	6356	WASHER,LOCK,.25	
--	74380	PLAT.ASSY.W/DECAL4'Z30/34ANSI <i>USA/Canada; includes item 11</i>		11	56912	SPRING CLIP,1/4-20,.025-.15X.5	
--	74381	PLAT.ASSY.W/DECAL4'Z30/34,CE <i>CE models; includes item 11</i>		12	43956	WIRE CABLE,14/3 CON.TPE JKT*.....552-inches	
--	74784	PLAT/SUP.UPGRADE KIT 4FT ANSI <i>USA/Canada</i>		13	7056	CONN,SQUEEZE,1/2NPT .38-.50,SM.....1	
--	74785	PLAT/SUPP.UPGRADE KIT 4FT CE <i>CE models</i>		14	10775	T-BOX,2.75 X 4.5 X 2.0.....1	
1	17626	SCREW,FHM,10-32 X .75		15	6935	LOCKNUT,ELEC,1/2".....1	
2	6178	NUT,NYLOCK,10-32		16	13585	OUTLET,110V GFCI***1 <i>North America</i>	
3A	32710	GUARD,FOOTSWITCH,W/DECAL STEEL.....1 <i>USA/Canada/Australia</i>		16	33629	PLATE,UK POWER TO PLATFORM.....1	
3B	30807P-S	FOOTSWITCH HOUSING,PAINTED <i>CE/Asia/South America</i>		16	T112563	SVC KIT,UK RECEPT.REPLACEMENT <i>AC British</i>	
4A	74298	FOOTSWITCH ASSEMBLY 30N.....1 <i>(to SN 12864)</i>		17	33759	SCREW,PHILLIPS,PHM,8-32 X.375	
--	13482	FOOT SWITCH*** <i>for PN 74298</i>		18	101980	DECAL PLATE ASSY,W/SYM DECALS <i>CE/Asia/South American</i>	
--	20262	MICROSWITCH,13482 FOOTSWITCH <i>for PN 74298</i>		18	231204	ASSY,DECAL PLATE,Z30 AUS <i>Australain models from SN 12531</i>	
--	228469	KIT, FOOTSWITCH, Z30/Z34 WORD <i>upgrade kit (to SN 12864)</i> <i>USA/Canada/Australia</i>		18	62508	DECAL PLATE W/D,PLAT,Z30/34.....1 <i>USA/Canada; Australian to SN 12530</i>	
--	228470	KIT, FOOTSWITCH, Z30/Z34 SYM <i>upgrade kit (to SN 12864)</i> <i>CE/Asia/South America</i>		19	74052	GASKET,COVER,GFCI,WEATHERPROOF	
--	56051	WIRE CABLE,16/2,WHT/BLK,SJEOW.65-inches <i>for PN 74298</i>		20	45437	COVER,GFCI,WEATHERPROOF....1 <i>includes mounting fasteners;</i> <i>USA/Canada</i>	
4B	227620	ASSEMBLY,FOOT SWITCH.....1 <i>(from SN 12865) for PNs 228469 & 228470</i>		21	63375	SCREW,FHM,6-32 X .75	
5	6888	SCREW,HHC,1/4-20 X 1		22	6019	SCREW,HHC,3/8-16 X 1.25 GRD 5	
				23	5397	WASHER,FLAT,USS,5/16",Y	
				24	4828	NUT,NYLOCK,3/8-16	
				25	12037	RIVET,STL,STL,P,.25 X .5	
				26	56660	WASHER,RIVETING	
				27	24514	BOX,INSTRUCTION STORAGE <i>CE/Asia/South American</i>	
				27	44743	MANUAL BOX W/DECALS***1 <i>USA/Canada/Australian</i>	
				28	102992	SLIDING MIDRAIL KIT,PTD.....1	
				--	102992	SLIDING MIDRAIL KIT,PTD	

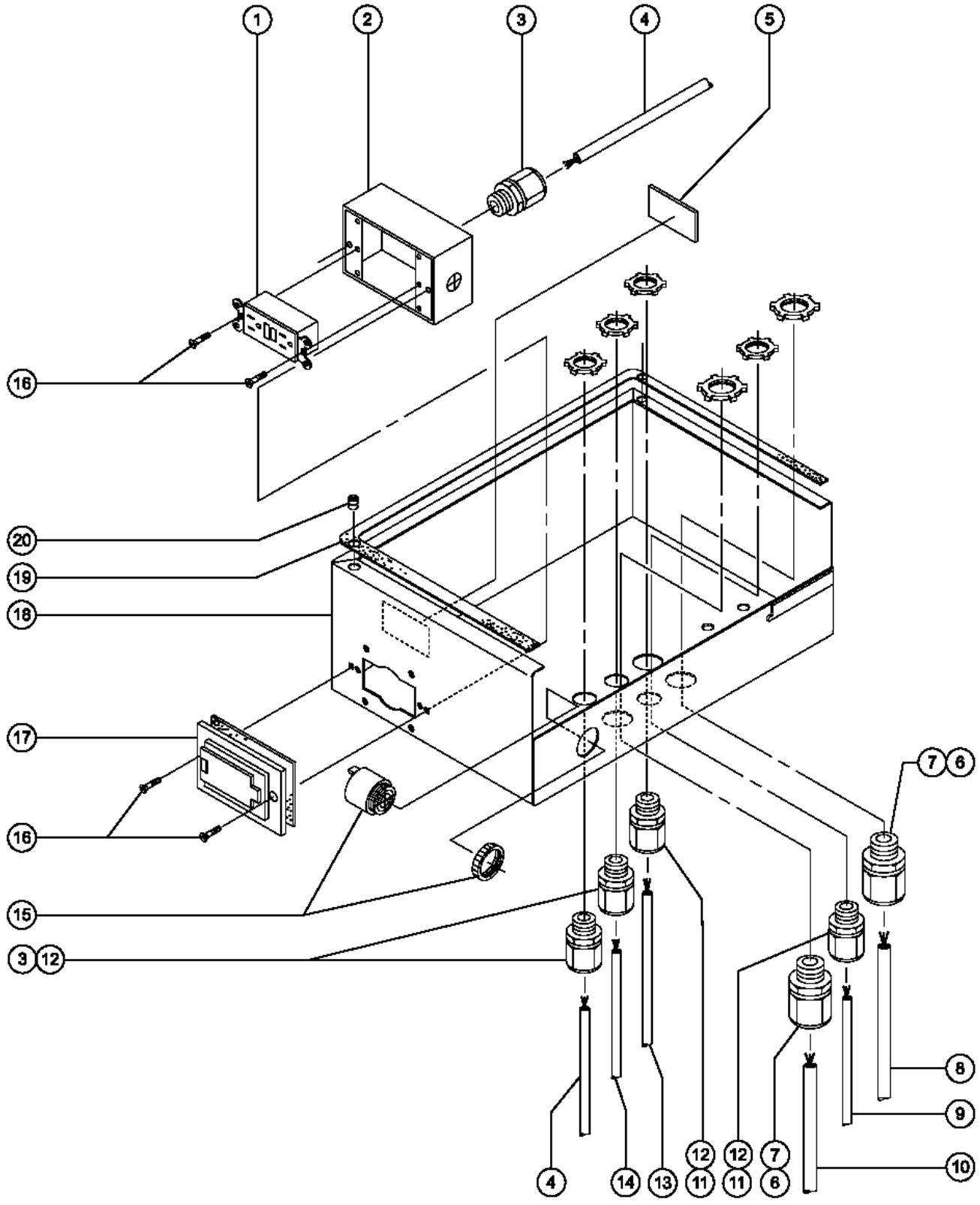


601.1 Platform
(continued)

Item	Part No.	Description	Qty.
--	12443	MIDRAIL GUIDE (HOOK)	
--	20973-2600	WIRE LOOM,3/8 POLY SLIT 26 inches	
--	20973-8000	WIRE LOOM,3/8 POLY SLIT 80 inches	
--	21121	CABLE TIE,4" BLK,HEAT RESISTNT	
29	101981	PLAT RAIL ASSY 4'ANSI/CSA***.....1 USA/Canada (railing only; refer to top of parts list for complete platform)	
--	101982	PLAT RAIL ASSY, 4' CE*** CE (railing only; refer to top of parts list for complete platform)	
--	101983	PLAT RAIL ASSY 4' AUS*** Australia (railing only; refer to top of parts list for complete platform)	
--	101984	PLAT RAIL ASSY 4' ASIA/S.AMER* Asia/South America (railing only; refer to top of parts list for complete platform)	
30	56500-S	WELDMENT,PLATFORM SUPPORT***.....1	
31	46993	CONT.BOX ASSY.PLAT Z30N,Z34DC.....1	
--	62517	CONT.BOX ASSY.PLAT Z30N,Z34DC	
--	74353	CONTROL BOX ASSY.Z30/34N/34DC	
32	6090	SCREW,HHC,1/4-20 X .75	
33	77993	BRACKET, CABLE STRAIN RELEIF.....1 to SN 12118	
--	128667	BRACKET, CABLE STRAIN RELIEF from SN 12119	
34	77994	CLAMP,CABLE STRAIN RELIEF.....1 to SN 12118	
--	128668	CLAMP,CABLE STRAIN RELIEF from SN 12119	
35	6833	CLAMP,0.50,#8 X 1/4,RUB CUSH....1 to SN 12118	
--	128669	BACKING PLATE, PLATFORM CLAMP from SN 12119	
36	6637	SCREW,HHC,1/4-20 X 1.75	

This Page Intentionally Left Blank

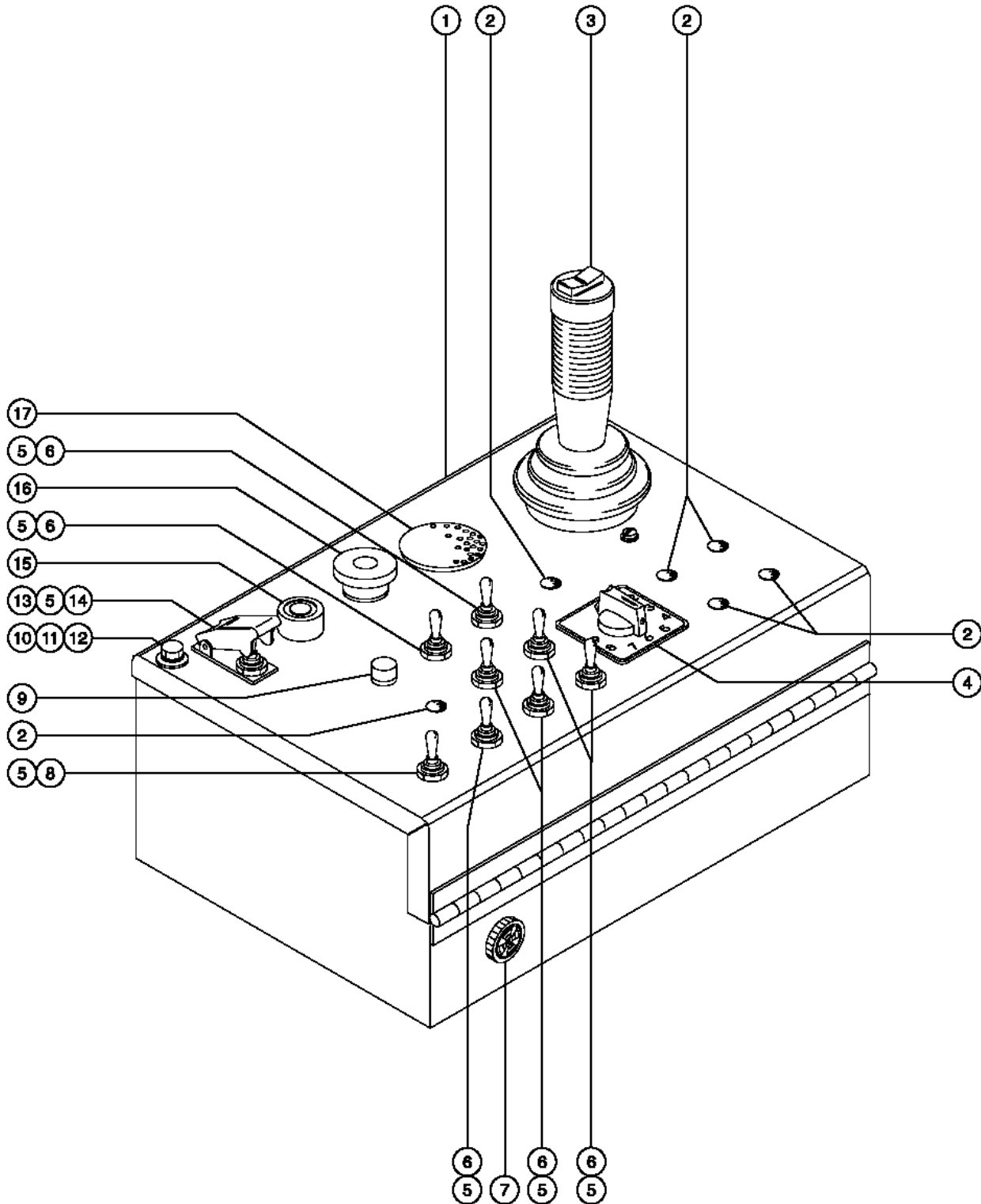
602.1 Platform Controls - View 1 (to SN 4082)



602.1 Platform Controls - View 1 (to SN 4082)

Item	Part No.	Description	Qty.
1	13585	OUTLET,110V GFCI***1 <i>AC USA/Canada</i>	1
--	35003	RECEPTACLE, BRITISH, 110V <i>AC British</i>	
2	10775	T-BOX,2.75 X 4.5 X 2.0.....1	1
3	7056	CONN,SQUEEZE,1/2NPT .38-.50,SM.....3	3
4	43956	WIRE CABLE,14/3 CON.TPE JKT*606-inches	
5	30997	CORROSION INHIBITOR,FOAM.....1	1
6	12960	CABLE SQUEEZE CONN.,XTRA LRG.....1	1
7	14041	LOCKNUT,ELECTRIC,3/4"2	2
8	35934	WIRE CABLE,18/19 CON.TPRJKT.....600-inches	
9	43955	WIRE CABLE,12GA/3 CON.TPE JKT*600-inches	
10	35934	WIRE CABLE,18/19 CON.TPRJKT.....600-inches	
11	7057	CONN. SQZ,1/2NPT .39-.56 MED.	
12	6935	LOCKNUT,ELEC,1/2"	
13	43961	WIRE CABLE,16GA/6 CON.TPE J.....136-inches	
14	36600	FOOT SWITCH WIRE ASSY W/CONN.....1	1
15	45383	ALARM,WARBLE TONE 5-30 VDC***	
16	63375	SCREW,FHM,6-32 X .75	
17	74006	COVER,GFCI,HORIZONTAL,WEATHER.1 <i>USA/Canada; includes mounting fasteners</i>	1
18	46993	CONT.BOX ASSY.PLAT Z30N,Z34DC.....1 <i>includes items 19 and 20</i>	1
19	36235	GASKET,PLAT.CONTROL BOX.....1	1
20	23404	NUTSERT,1/4-20,STEEL CAD PLTD	

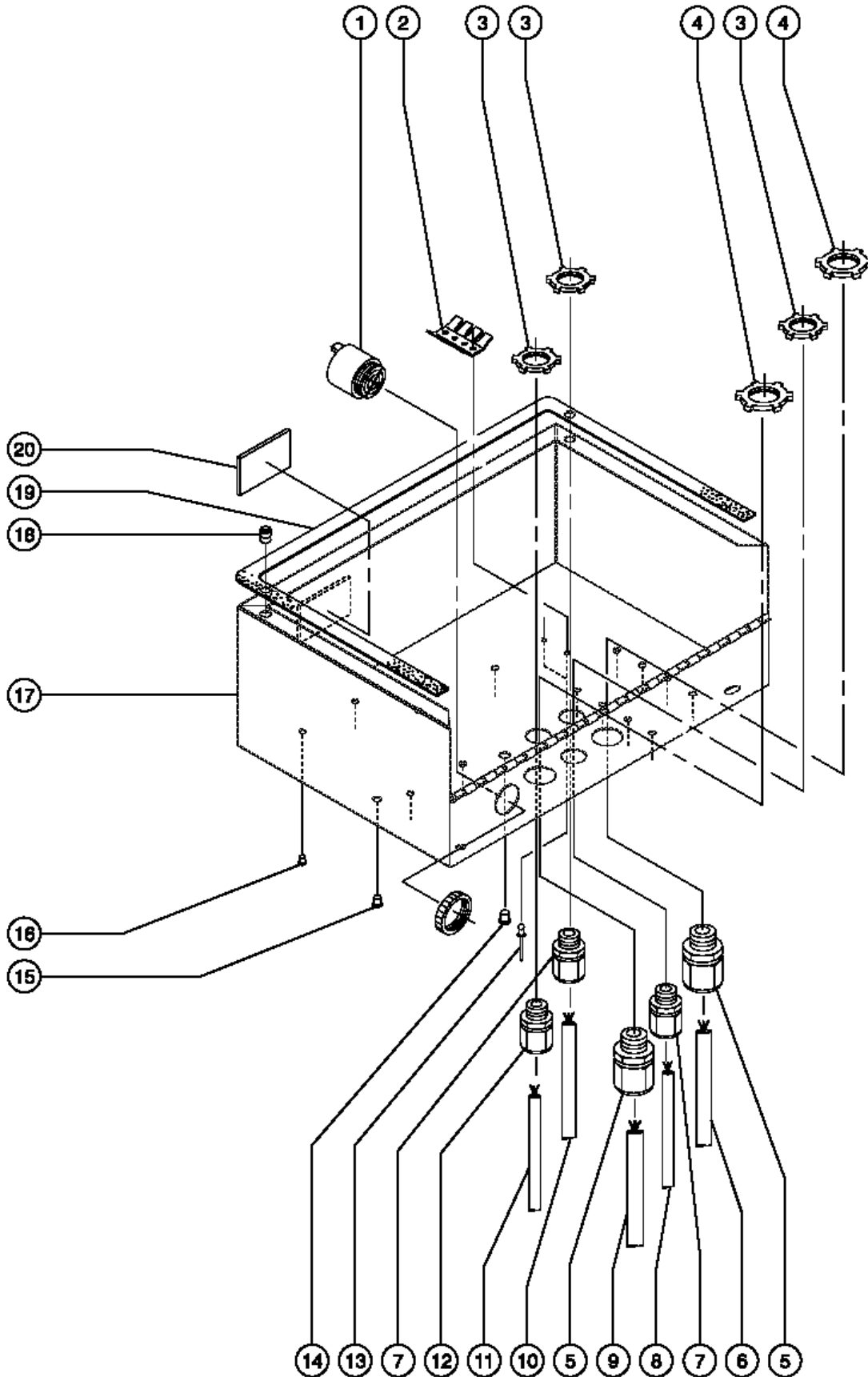
603.1 Platform Controls - View 2 (to SN 4082)



603.1 Platform Controls - View 2 (to SN 4082)

Item	Part No.	Description	Qty.
1	46993	CONT.BOX ASSY.PLAT Z30N,Z34DC.....	1
2	45384	PLUG,NYLON .50 BLACK DOMED.....	6
3A		Ref., JOYSTICK..... <i>refer to 606.1</i>	1
3B		Ref., JOYSTICK..... <i>refer to 607.1</i>	1
4	56886	CONTROLLER,ROTARY 24V W/RAMP.....	1
5	27246	BOOT,TOGGLE SWITCH,SHORT*.....	8
6	16397-S	SWITCH,TOGGLE,DPDT,3POS MOMEN..... <i>includes mounting fasteners</i>	7
7	45383	ALARM,WARBLE TONE 5-30 VDC***..... <i>Does not include 72326 nut</i>	1
--	72326	NUT - PLASTIC,RING FOR ALARMS	
8	13037-S	SWITCH,TOGGLE,SPDT,3POS MOMEN*..... <i>includes mounting fasteners</i>	1
9A	36373	LED,RED 24V..... <i>includes mounting fasteners</i>	1
9B	824878	LIGHT,LED IND. RED 24V NH <i>includes mounting fasteners</i>	
10	6090	SCREW,HHC,1/4-20 X .75	
11	6356	WASHER,LOCK,.25	
12	6638	WASHER,FLAT,USS,1/4"Y	
13	13471	COVER, AUXILIARY POWER SWITCH.....	1
14	13480-S	SWITCH,TOGGLE,DPDT,2POS MOMEN..... <i>includes mounting fasteners</i>	1
15	122513	KIT,HORN SVC BB&SM BOOM.....	1
--	66813	BUTTON,PUSH,BLACK W/SEAL***	
--	66815	BASE, W/1 N.O. CONTACTS***	
16	122514	KIT,ESTOP SVC BB&SM BOOM.....	1
--	66818	CONTACT,NC	
--	66821	BASE,WITHOUT CONTACTS	
17	45840	PLUG,NYLON 2.00 BLACK DOMED.....	1

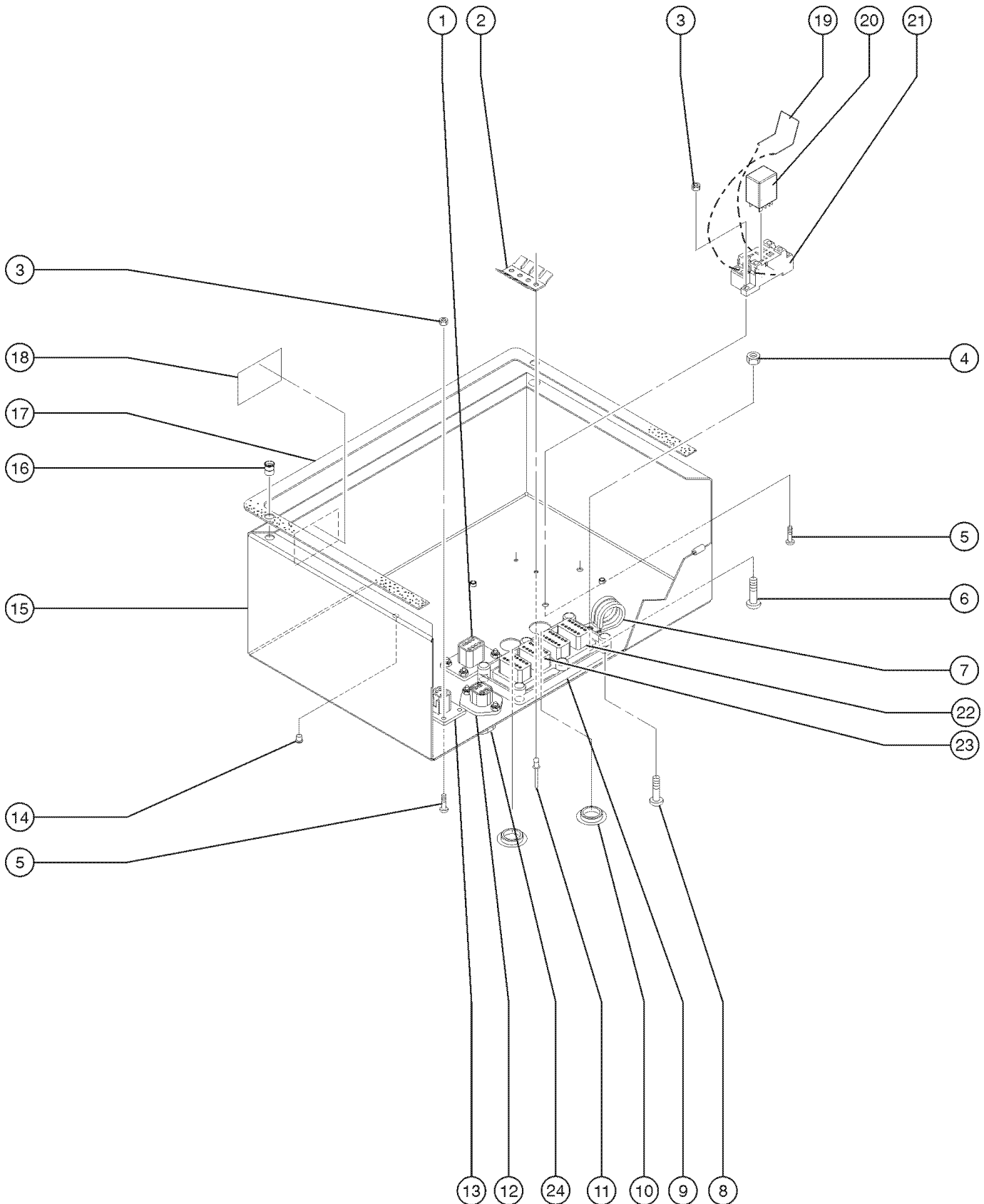
604.1 Platform Controls - View 1 (from SN 4083 to 8354)



604.1 Platform Controls - View 1 (from SN 4083 to 8354)

Item	Part No.	Description	Qty.
1	45383	ALARM,WARBLE TONE 5-30 VDC***.....	1
2	56663	TERMINAL STRIP.....	1
3	6935	LOCKNUT,ELEC,1/2".....	3
4	14041	LOCKNUT,ELECTRIC,3/4".....	2
5	12960	CABLE SQUEEZE CONN.,XTRA LRG.....	2
6	35934	WIRE CABLE,18/19 CON.TPRJKT.....	600-inches
7	7057	CONN. SQZ,1/2NPT .39-.56 MED.....	2
8	43955	WIRE CABLE,12GA/3 CON.TPE JKT*.....	600-inches
9	35934	WIRE CABLE,18/19 CON.TPRJKT.....	600-inches
10	42587	WIRE CABLE,18GA/7CON TPR JKT.....	600-inches
11	56051	WIRE CABLE,16/2,WHT/BLK,SJEOW.....	600-inches
12	7056	CONN,SQUEEZE,1/2NPT .38-.50,SM.....	1
13	6272	RIVET,STL,ST.MAN,P.125 X .25	
14	21858	PLUG,NYLON .38 BLACK DOMED.....	1
15	30996	PLUG,NYLON .313 BLACK DOMED.....	1
16	42781	PLUG,DOWEL,1/4 PLASTIC.....	10
17	101989	PLAT CONTROL BOX W/DECAL <i>includes items 18 and 19</i>	
17	62517	CONT.BOX ASSY.PLAT Z30N,Z34DC.....	1
		<i>includes items 18 and 19</i>	
17	74353	CONTROL BOX ASSY.Z30/34N/34DC <i>includes items 18 and 19</i>	
18	23404	NUTSERT,1/4-20,STEEL CAD PLTD	
19	36235	GASKET,PLAT.CONTROL BOX.....	1
20	30997	CORROSION INHIBITOR,FOAM.....	1

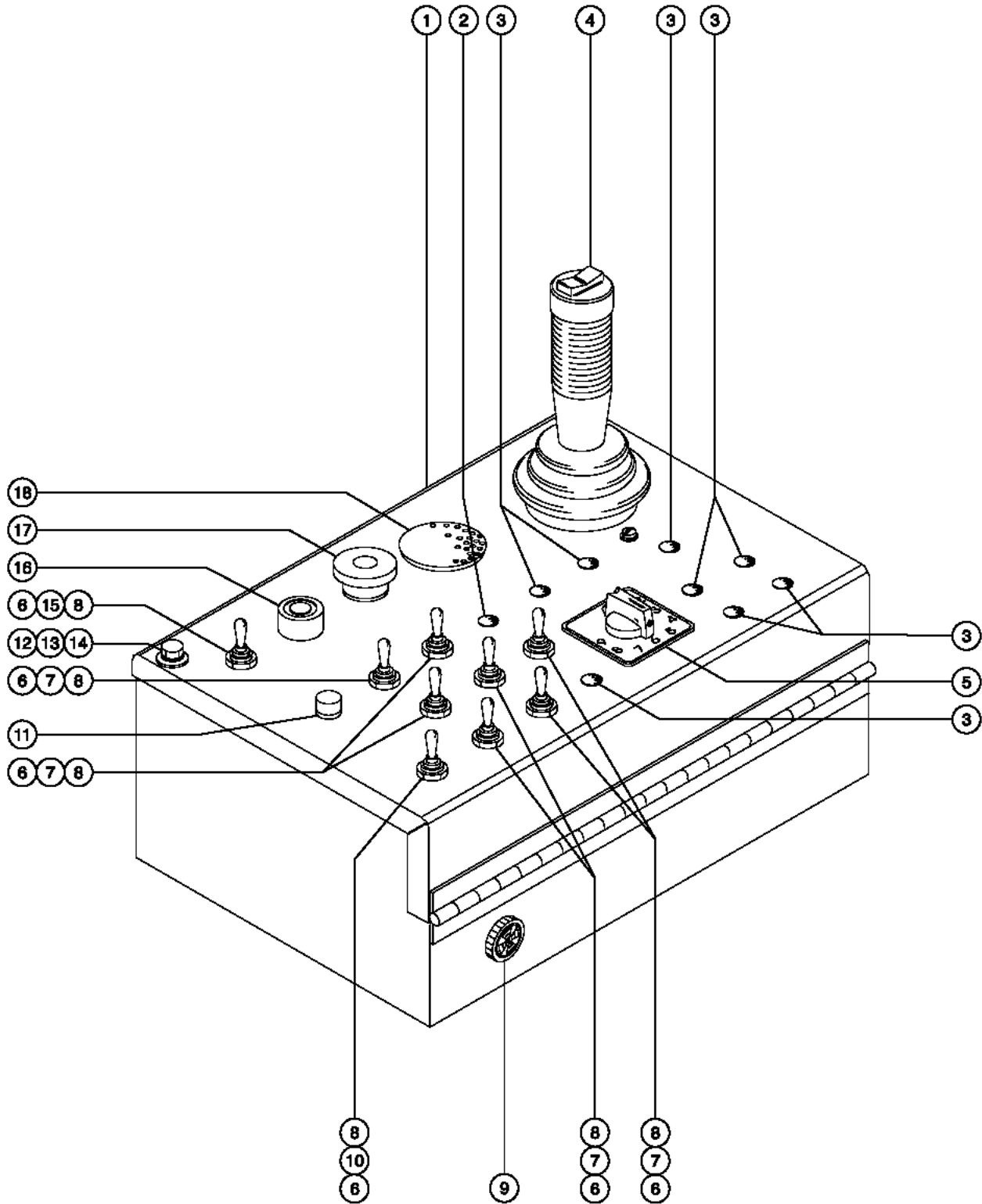
604.2 Platform Controls - View 1 (from SN 8355)



604.2 Platform Controls - View 1 (from SN 8355)

Item	Part No.	Description	Qty.
--	147253	TIME DELAY RELAY <i>from SN 12120</i>	
--	147389	HARNESS, LOAD SENSE, Z30/34DC <i>from SN 12120</i>	
1	87755	CONN,RECEP 8 WAY 14-18GA,FL.....	1
2	56663	TERMINAL STRIP.....	1
3	12344	NUT,NYLOCK,6-32	
4	6178	NUT,NYLOCK,10-32	
5	49820	SCREW,PHILLIPS,PHM,6-32 X .5	
6	54365	SCREW,PHIL,PHM,10-32 X .5,SSTL	
7	13268	CLAMP,0.75,#12 X 1/4,RUB CUSH.....	1
8	73803	SCREW,SHM,PHP, #12 X .75	
9	54255	LOCK,RECEP 12 WAY, 14-18GA	
9	73713	TERM,NI PIN,S&F,16-18GA,REEL	
9	73736	CONN,RECEP 48 WAY,4 X 12.....	1
10	15243	PLUG,NYLON .875 BLACK DOMED.....	2
11	6272	RIVET,STL,ST.MAN,P,.125 X .25....	4
12	73717	CONN,RECEP 4 WAY,12-14GA FL***.....	1
--	60526	LOCK,RECEP 4 WAY,12-14GA	
--	73711	TERM,DEUTSCH, PIN #12-14	
13	73723	CONN RECEPT,FLANGED.....	1
--	54259	TERM,NI PIN, 14-16GA,BULK	
--	60443	LOCK,RECEP 4 WAY,14-18GA	
14	42781	PLUG,DOWEL,1/4 PLASTIC.....	4
15	110649	PLATFORM CONTROL BOX W/DECAL..... <i>includes items 16, 17 and 18</i>	1
16	23404	NUTSERT,1/4-20,STEEL CAD PLTD	
17	36235	GASKET,PLAT.CONTROL BOX.....	1
18	30997	CORROSION INHIBITOR,FOAM.....	1
19	42617	CLIP,SPRING,POTTER BRUMFIELD.....	1
20	823226	POWER RELAY, 24V COIL..... <i>(for drive light option)</i>	1
21	61226	RELAY SOCKET,70AMP.....	1
22	110243	HARNESS CABLE1 18/19 COND....	1
23	110239	HARNESS CABLE3 18/19 COND....	1
24	110235	HARNESS CABLE2 12/3 COND.....	1

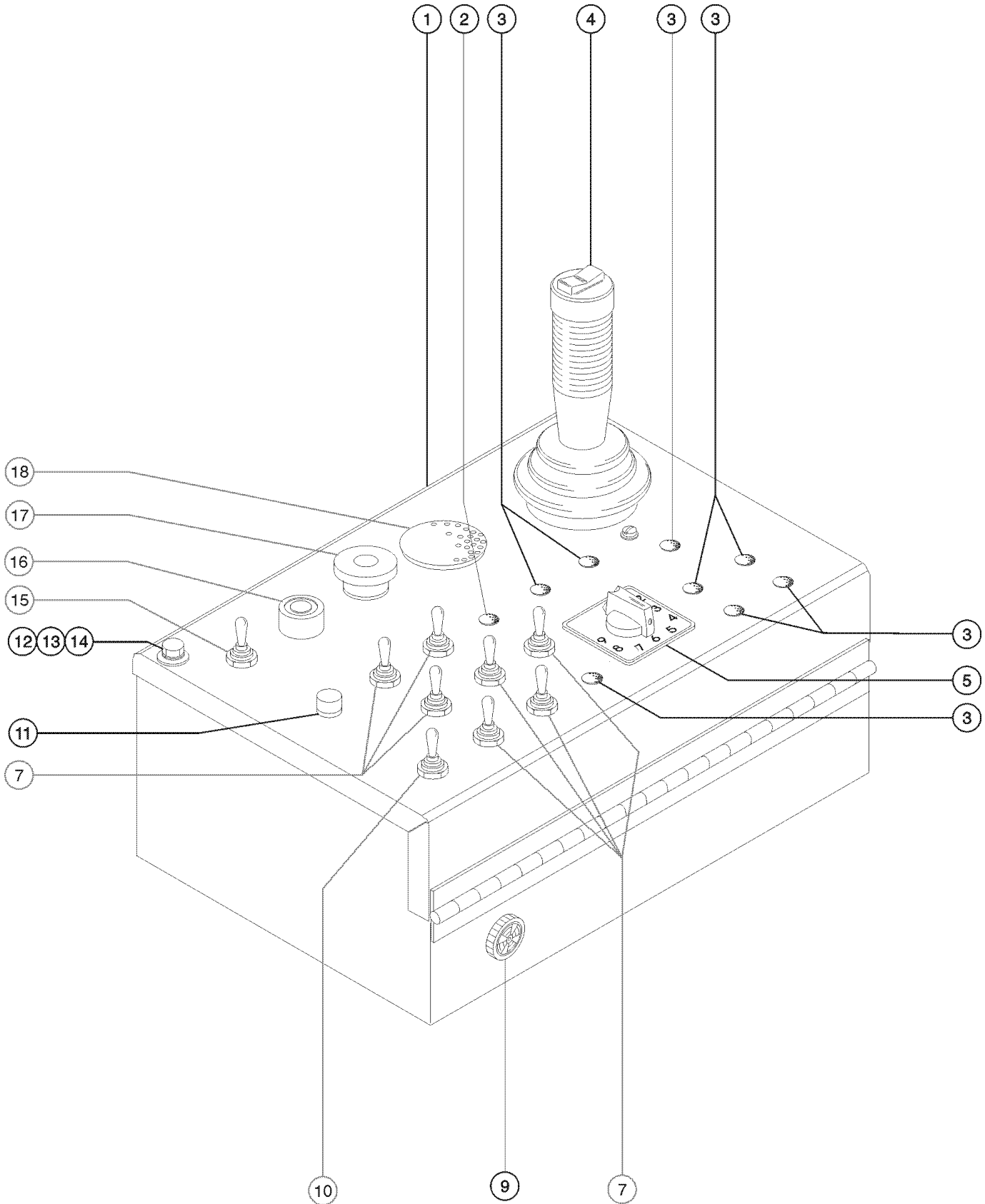
605.1 Platform Controls - View 2 (from SN 4083 to 11193)



605.1 Platform Controls - View 2 (from SN 4083 to 11193)

Item	Part No.	Description	Qty.
1		Ref. Control Box with Lid and Decal (refer to 604.1)	
2	45384	PLUG,NYLON .50 BLACK DOMED.....	1
--	16397-S	SWITCH,TOGGLE,DPDT,3POS MOMEN	
3	45384	PLUG,NYLON .50 BLACK DOMED.....	5
4		Ref., JOYSTICK <i>refer to 607.1</i>	
5	56886	CONTROLLER,ROTARY 24V W/RAMP.....	1
6	27246	BOOT,TOGGLE SWITCH,SHORT*.....	9
7	16397-S	SWITCH,TOGGLE,DPDT,3POS MOMEN.....	7
8	54692	SPACER,NYLON,.718 X .526 X.219.....	10
9	45383	ALARM,WARBLE TONE 5-30 VDC***	1
		<i>Does not include 72326 nut</i>	
--	72326	NUT - PLASTIC,RING FOR ALARMS	
10	13037-S	SWITCH,TOGGLE,SPDT,3POS MOMEN*.....	1
11	824878	LIGHT,LED IND. RED 24V NH.....	1
		<i>includes mounting fasteners</i>	
12	6090	SCREW,HHC,1/4-20 X .75	
13	6356	WASHER,LOCK, .25	
14	6638	WASHER,FLAT,USS,1/4"Y	
15	42730-S	SWITCH,TOGGLE SPDT,2POS MOMEN.....	1
		<i>includes mounting fasteners</i>	
16	122513	KIT,HORN SVC BB&SM BOOM.....	1
--	66813	BUTTON,PUSH,BLACK W/SEAL ***	
--	66815	BASE, W/1 N.O. CONTACTS***	
17	122514	KIT,ESTOP SVC BB&SM BOOM.....	1
--	66818	CONTACT,NC	
--	66821	BASE,WITHOUT CONTACTS	
18	45840	PLUG,NYLON 2.00 BLACK DOMED.....	1

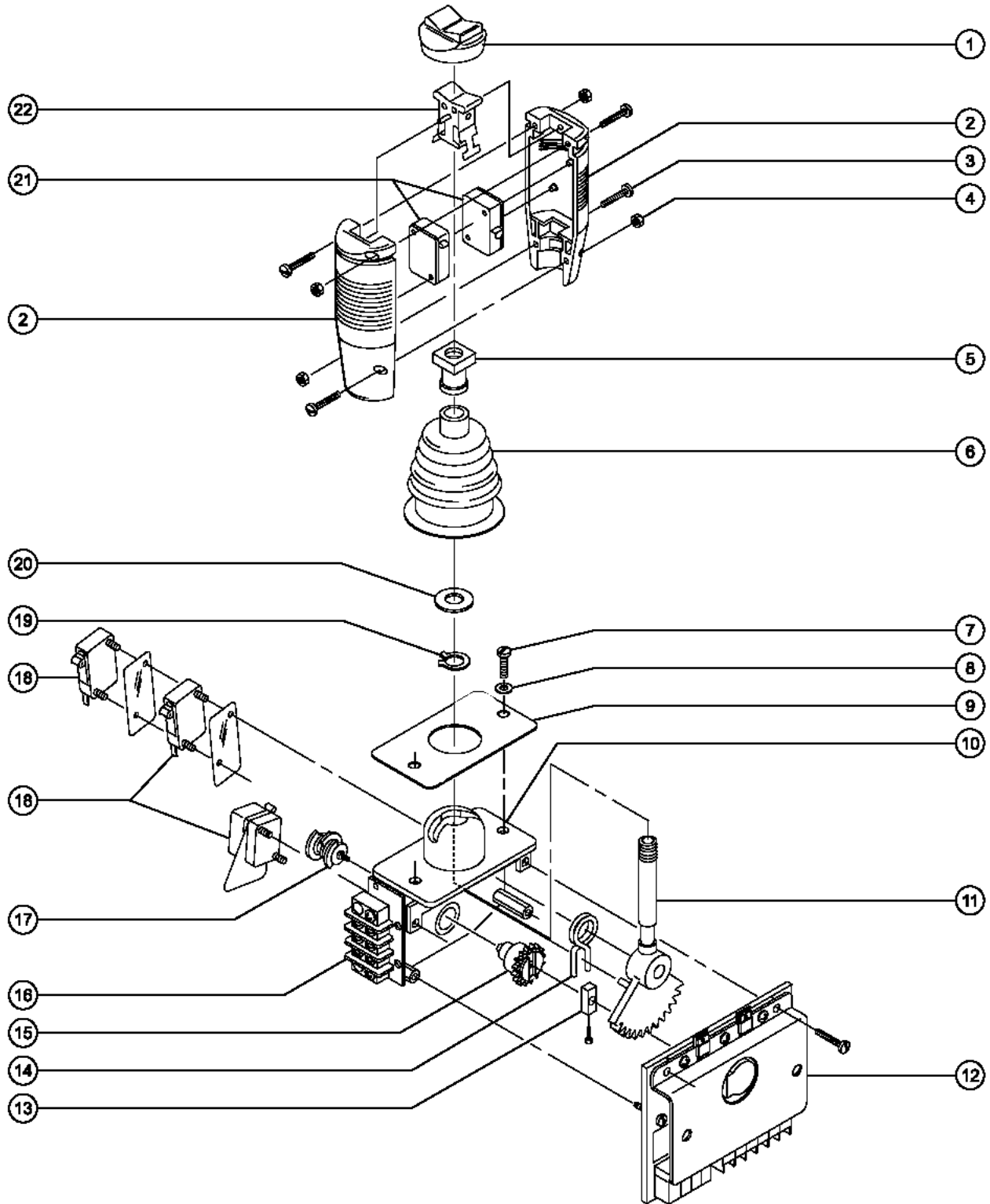
605.2 Platform Controls - View 2 (from SN 11194)



605.2 Platform Controls - View 2 (from SN 11194)

Item	Part No.	Description	Qty.	Item	Part No.	Description	Qty.
1		Ref. Control Box with Lid and Decal (refer to 605.1)		18	45840	PLUG,NYLON 2.00 BLACK DOMED.....	1
2	128202	SWITCH TOGGLE ASSY DPDT 3P MOM.....	1				
--	229567	PLUG, SANTOPRENE .5 BLACK DOME <i>from SN 14164</i>					
--	45384	PLUG,NYLON .50 BLACK DOMED.....	1				
		<i>to SN 14163</i>					
3	229567	PLUG, SANTOPRENE .5 BLACK DOME <i>from SN 14164</i>					
3	45384	PLUG,NYLON .50 BLACK DOMED.....	5				
		<i>to SN 14163</i>					
4		Ref., JOYSTICK.....	1				
		<i>refer to 607.1</i>					
5	56886	CONTROLLER,ROTARY 24V W/RAMP.....	1				
7	128202	SWITCH TOGGLE ASSY DPDT 3P MOM.....	7				
9	45383	ALARM,WARBLE TONE 5-30 VDC***	1				
		<i>Does not include 72326 nut</i>					
--	72326	NUT - PLASTIC,RING FOR ALARMS					
10	128200	SWITCH TOGGLE ASSY SPDT 3P MOM.....	1				
11	824878	LIGHT,LED IND. RED 24V NH.....	1				
		<i>includes mounting fasteners</i>					
12	6090	SCREW,HHC,1/4-20 X .75					
13	6356	WASHER,LOCK,.25					
14	6638	WASHER,FLAT,USS,1/4"Y					
15	128203	SWITCH TOGGLE ASSY SPDT 2P MOM.....	1				
		<i>includes mounting fasteners</i>					
16	122513	KIT,HORN SVC BB&SM BOOM.....	1				
--	66813	BUTTON,PUSH,BLACK W/SEAL ***					
--	66815	BASE, W/1 N.O. CONTACTS***					
17	122514	KIT,ESTOP SVC BB&SM BOOM.....	1				
--	146478	BOOT(BELLOWS),E-STOP,BLACK <i>(from SN 12402)</i>					
--	66818	CONTACT,NC					
--	66821	BASE,WITHOUT CONTACTS					

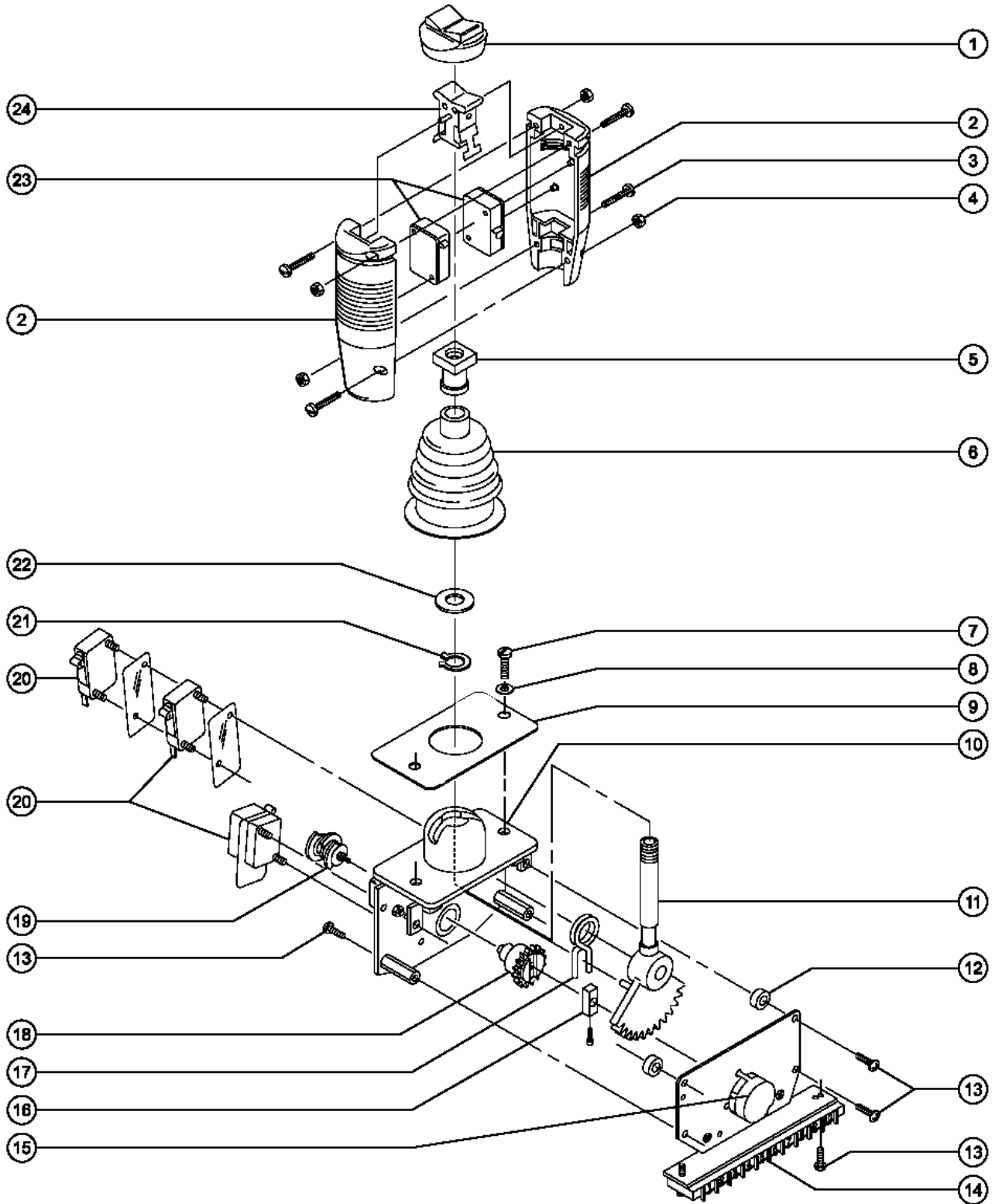
606.1 Joystick Controller (to SN 3446)



606.1 Joystick Controller (to SN 3446)

Item	Part No.	Description	Qty.
--	42032H	JOYSTICK,CNTRLLR SINGLE BRD <i>aftermarket joystick replacement</i>	
--	42032	JOYSTICK,CNTRLLR SINGLE BRD <i>OEM joystick, contains all shown service parts</i>	
1	43038	BOOT-THUMB ROCKER** BLACK.....	1
2	52887	HANDLE HALF (56274).....	2
3	52895	SCREW,PHM,M3 X .5 X 12MM	
4	52928	NUT-HEX,3M X 0.5MM	
5	43040	NUT,JS,36867/42032/44988/40612	
6	21427	BOOT,CONTROLLER**	1
7	49816	SCREW,PHILLIPS,PHM,10-32 X .75	
8	74362	WASHER,NYLON, JOYSTICK	
9	43042	GASKET,JOYSTK.SHAFT36867/42032.1	
10	58987	CASTING 42032.....	1
11	46227	SHAFT ASSY, JOYSTICK***	1
		<i>includes gear</i>	
12	43045	PCB,ASSY,42032 CONTROLLER....	1
13	65529	COUPLING-POT,JOYSTICK (56579).....	1
14	21434	SPRING & BUSHING KIT,RETURN***	1
15	19731	GEAR, SLAVE, MS4,45048.....	1
16	74363	TERMINAL BUSS,JOYSTICK(42032).....	1
17	74364	CAM ASSEMBLY, JOYSTICK(42032).....	1
18	19712	MICROSWITCH,V3L-139-D8.....	4
19	74365	C-CLIP, SHAFT, JOYSTICK.....	1
20	74366	WASHER, FLAT, SHAFT, JOYSTICK	
21	19722	MICROSWITCH-V319M.....	2
22	58986	ROCKER ASSY (42032)***	1
--	65178	ROCKER ASSY W/ROLLPIN***	

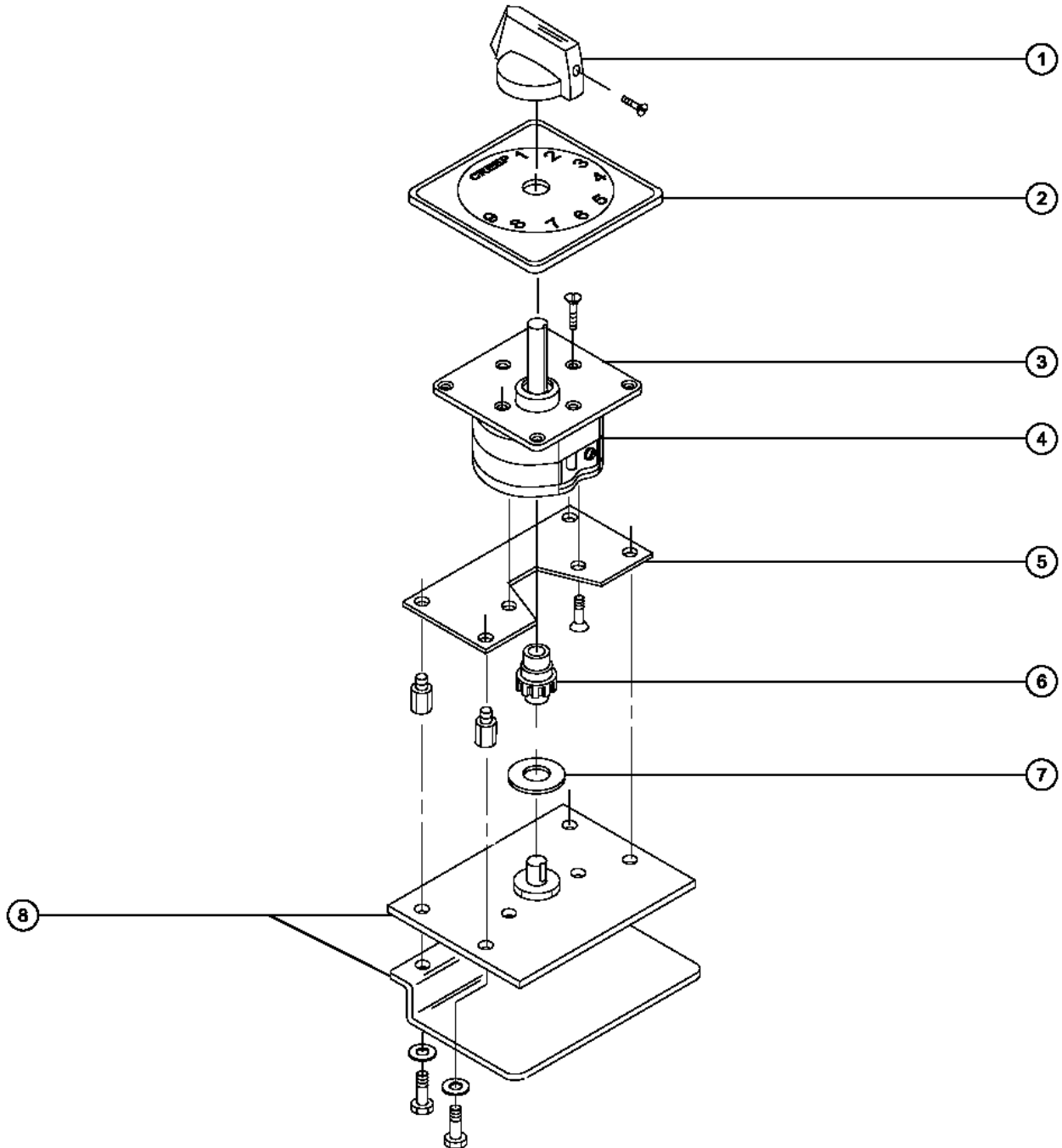
607.1 Joystick Controller (from SN 3447)



607.1 Joystick Controller (from SN 3447)

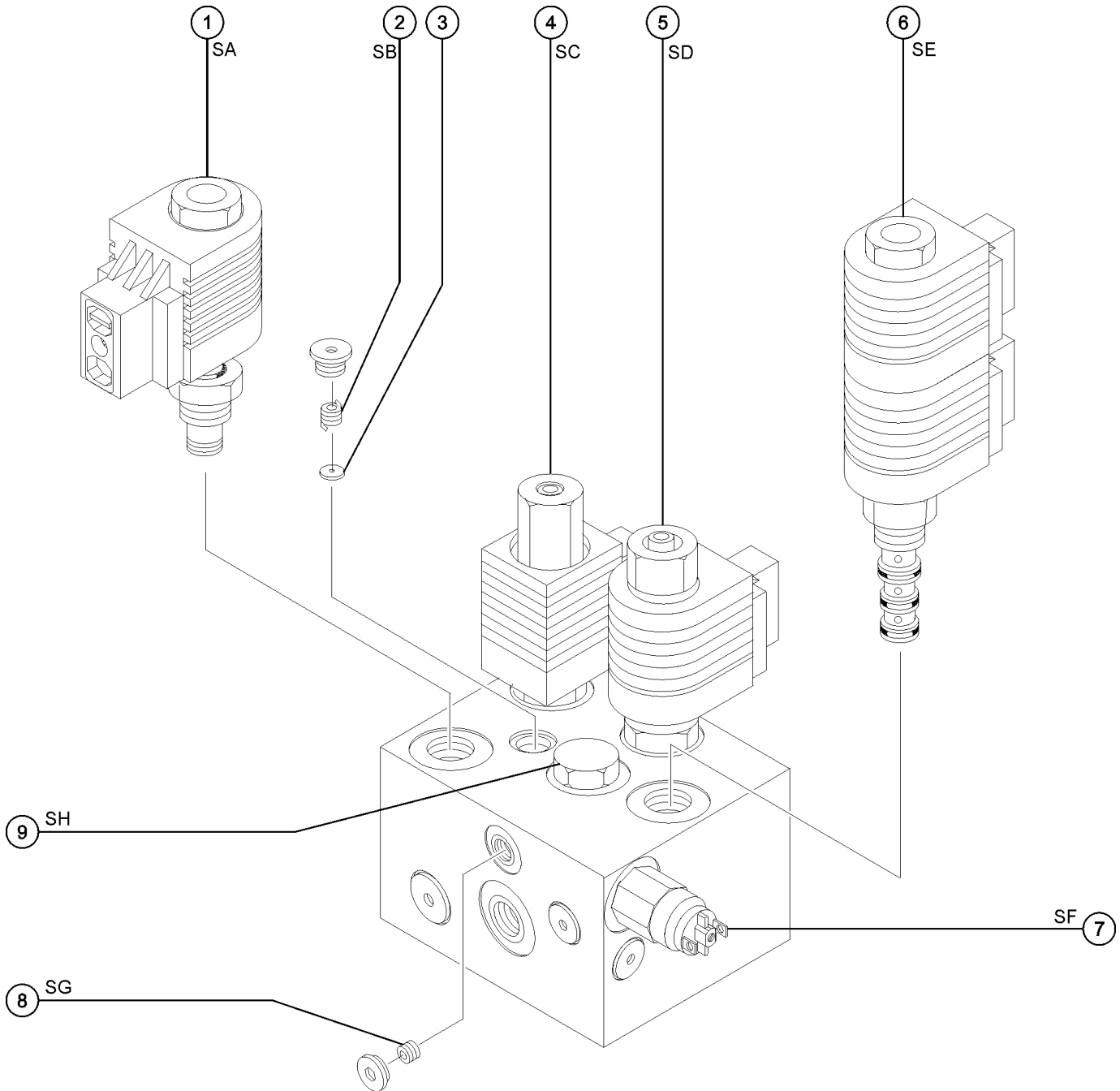
Item	Part No.	Description	Qty.
--	234923	JOYSTICK,5K-0 OHM,W/RELAY (12-pin connector) (replaced PN 56773 from SN's Z452513A-45735 DC/Bi, Z30N13-14696, Z34N13-10623 and Z3413-9442 DC/Bi	
--	56773	JOYSTICK,5K-0 OHM (10-pin connector) (to SN's Z452513A-45734 DC/Bi, Z30N13-14695, Z34N13-10622 and Z3413-9441 DC/Bi)	
1	43038	BOOT-THUMB ROCKER** BLACK.....1	1
2	52887	HANDLE HALF (56274).....2	2
3	52895	SCREW,PHM,M3 X .5 X 12MM	
4	52928	NUT-HEX,3M X 0.5MM	
5	43040	NUT,JS,36867/42032/44988/40612	
6	21427	BOOT,CONTROLLER**1	1
7	49816	SCREW,PHILLIPS,PHM,10-32 X .75	
8	74362	WASHER,NYLON, JOYSTICK	
9	43042	GASKET,JOYSTK.SHAFT36867/42032.1	1
10	58987	CASTING 42032.....1	1
11	46227	SHAFT ASSY, JOYSTICK***1 <i>includes gear</i>	1
12	74368	SPACER-POT.PLATE,JOYSTICK56773.1	1
13	65546	SCREW,PHM,M3.5 X 12MM (57890)	
14	74367	TERM.BUSS,10POLE,JOYSTICK56773.1	1
15	72298	POTENTIOMETER (56773).....1	1
16	65529	COUPLING-POT,JOYSTICK (56579).....1	1
17	21434	SPRING & BUSHING KIT,RETURN***.....1	1
18	19731	GEAR, SLAVE, MS4,45048.....1	1
19	74364	CAM ASSEMBLY, JOYSTICK(42032).....1	1
20	19712	MICROSWITCH,V3L-139-D8.....4	4
21	74365	C-CLIP, SHAFT, JOYSTICK.....1	1
22	74366	WASHER, FLAT, SHAFT, JOYSTICK	
23	19722	MICROSWITCH-V319M.....2	2
24	58986	ROCKER ASSY (42032)***1	1
--	65178	ROCKER ASSY W/ROLLPIN***	

608.1 Rotational Controller



Item	Part No.	Description	Qty.
--	56886	CONTROLLER,ROTARY 24V W/RAMP	
1	35679	KNOB, 45048 CONTROLLER.....	1
2	35680	LEGEND,PLSTC,"CREEP TO 9"***	1
3	35678	MOUNTING PLATE, 45048.....	1
4	74356	SWITCH ASSEMBLY (56886).....	1
5	74357	PLATE,ROTARY CNTRL (56886)....	1
6	74358	COUPLING,POT SHAFT (56886)....	1
7	74359	GASKET-ROTARY CNTRL 56886....	1
8	74384	PRINTED CIRCUIT BOARD 56886.....	1

701.1 Steer/Brake Manifold (to SN 3446)

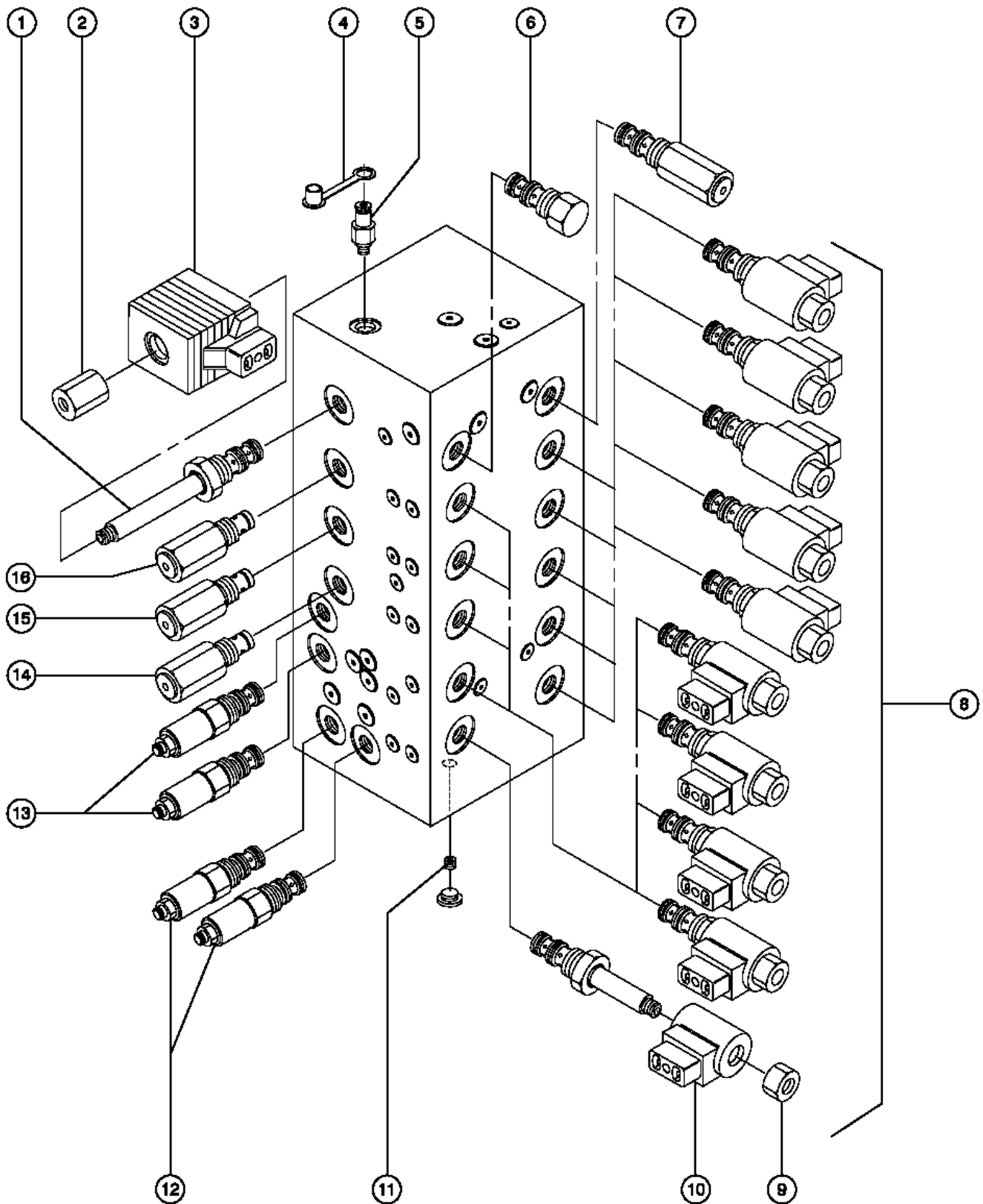


701.1 Steer/Brake Manifold (to SN 3446)

Item	Part No.	Description	Qty.	Item	Part No.	Description	Qty.
--	28750	O-RING KIT,FIELD SVC,ALL PROD*		9	45543	VALVE,CHECK, 50 PSI.....1 <i>SH, Check Valve</i>	
--	33994	PLUG AND CAP KIT-SERVICE,37ø**					
--	42764	MANIFOLD,STEER/BRAKE*** <i>includes items 1-6, 8 and 9; not used after SN 3446</i>					
--	49612	O-RING KIT (ORFS FITTINGS)					
--	49613	PLUG AND CAP KIT-SERVICE,ORFS*					
--	58989	PLUG KIT MANIFOLD					
1	45544	VALVE SOLENOID.....1 <i>SA, Brake Circuit</i>					
--	40413	COIL,SOLND,W/D,20V SGL SPADE <i>(single-spade coil)</i>					
--	52339	COIL,SOLND,W/D,20V DUAL SPADE <i>(dual-spade coil)</i>					
--	52943	NUT,SOLENOID VALVE					
--	74902	SEAL KIT, VALVE <i>for 45544</i>					
2	18920	SPRING-DRIVE MANIFOLD/520131.....1 <i>SB, Orifice</i>					
3	40424	PLUG,ORIFICE, .052 INCH.....1					
4	58965	VALVE, PROPORTIONAL (42764).....1 <i>SC, includes items 13 and 14</i>					
--	29032	COIL,24V SOLENOID VALVE					
--	62276	NUT,SOLENOID VALVE					
--	T112540	SEAL KIT,VALVE					
5	44956	VALVE,SOLENOID 20V W/DIODE.....1 <i>SD</i>					
--	40413	COIL,SOLND,W/D,20V SGL SPADE					
--	45912	NUT,SOLENOID,2POS 3WAY					
--	74902	SEAL KIT, VALVE					
6	52885	VALVE,SOLENOID,3POS 4WAY.....1 <i>SE, Steer</i>					
--	40413	COIL,SOLND,W/D,20V SGL SPADE					
--	52943	NUT,SOLENOID VALVE					
--	72047	SEAL KIT, SOLENOID VALVE <i>for 52885</i>					
7	56820	SWITCH,PRESS,#6SAE,600 PSI F**1 <i>SF, Pressure Switch</i>					
8	37075	PLUG,ORIFICE,0.040.....1 <i>SG, Orifice</i>					



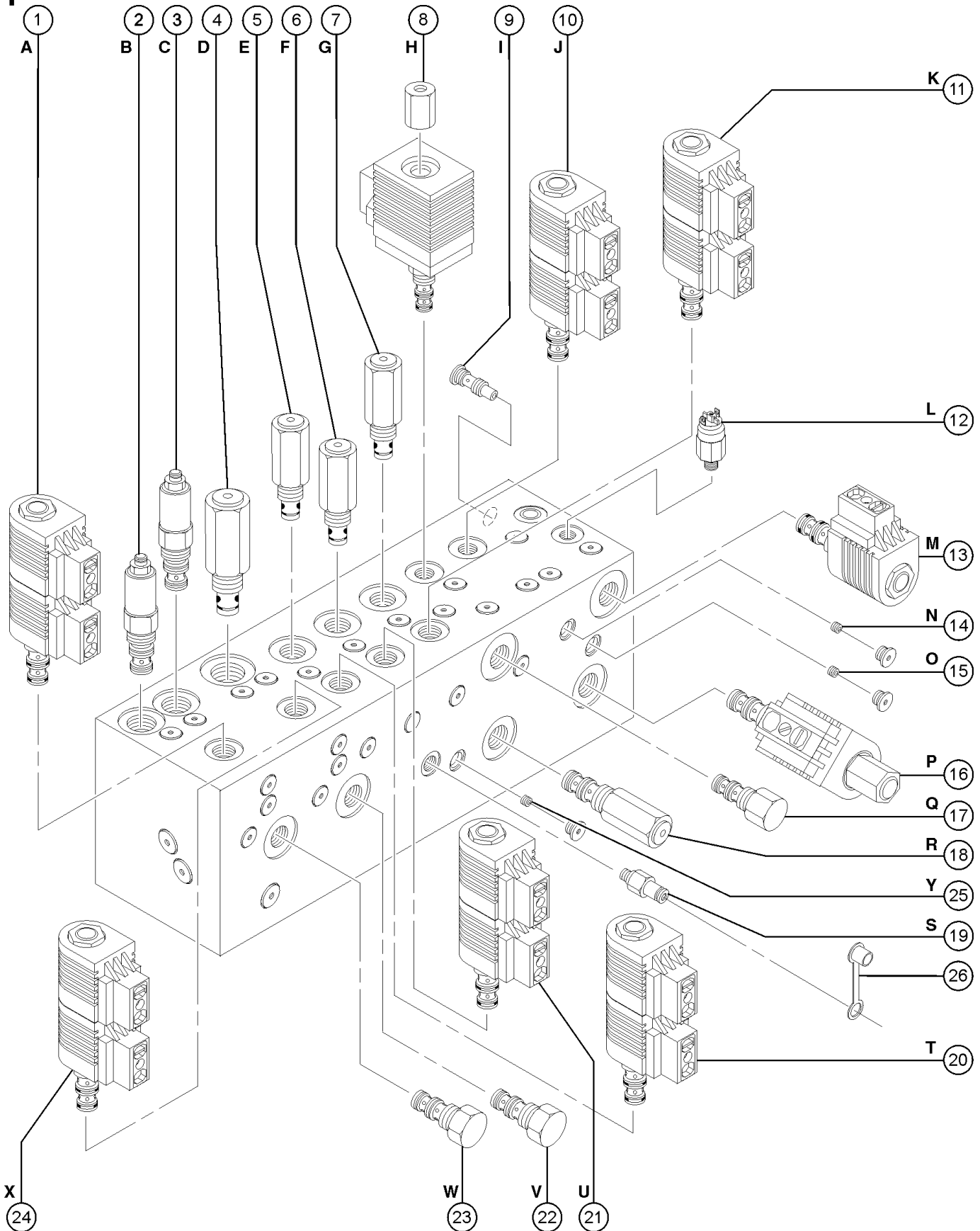
702.1 Function Manifold (to SN 3446)



702.1 Function Manifold (to SN 3446)

Item	Part No.	Description	Qty.
--	28750	O-RING KIT,FIELD SVC,ALL PROD*	
--	33994	PLUG AND CAP KIT-SERVICE,37ø**	
--	36659	MANIFOLD,FUNCTION*** <i>Complete</i>	
1	40410	VALVE,PROPORTIONAL **1 <i>includes items 2 and 3</i>	1
2	52718	NUT-VALVE,PROP. SOLENOID-50683.....1	1
3	29032	COIL,24V SOLENOID VALVE.....1	1
4	48880	CAP,DIAGNOSTIC NIPPLE.....1	1
5	48997	NIPPLE,DIAGNOSTIC,#4 PORT***1	1
--	20224	DIAGNOSTIC FEMALE Q-DSCNT	
6	27532	VALVE,DIFFERENTIAL SENSING.....1	1
7	37080	VALVE,RELIEF, 2800 PSI.....1	1
8	44954	VALVE,SOLENOID,20V W/ DIODE **10 <i>includes items 9 and 10</i>	10
9	52943	NUT,SOLENOID VALVE.....10	10
10	40413	COIL,SOLND,W/D,20V SGL SPADE.....10	10
11	29737	PLUG,ORIFICE,0.052 INCH.....1	1
12	37079	VALVE,COUNTERBALANCE.....2	2
13	74378	VALVE,COUNTERBALANCE (36659).....2	2
14	31528	VALVE,RELIEF 1600 PSI.....1	1
15	40412	VALVE,RELIEF,1400PSI.....1	1
16	31527	VALVE,RELIEF 1800 PSI.....1	1

703.1 Function Manifold (from SN 3447)



703.1 Function Manifold (from SN 3447)

Item	Part No.	Description	Qty.	Item	Part No.	Description	Qty.
--	128443	MANIFOLD,FUNC,Z30NRJ		9	43599	VALVE,CHECK.....1 <i>I, brake circuit</i>	1
--	128444	MANIFOLD,FUNC,Z30N/Z34DC/BE.1		--	110200	SEAL KIT, VALVE, #4	
--	28750	O-RING KIT,FIELD SVC,ALL PROD*		10	52885	VALVE,SOLENOID,3POS 4WAY.....1 <i>J, steer left/right</i>	1
--	33994	PLUG AND CAP KIT-SERVICE,37ø**		--	40413	COIL,SOLND,W/D,20V SGL SPADE	
--	49612	O-RING KIT (ORFS FITTINGS)		--	52943	NUT,SOLENOID VALVE	
--	49613	PLUG AND CAP KIT-SERVICE,ORFS*		--	72047	SEAL KIT, SOLENOID VALVE <i>for 52885</i>	
--	56309	MANIFOLD,FUNCT MULTI Z-34BE <i>Complete to SN 2894</i>		11	52599	VALVE,SOLENOID,3POS/4WAY*.....1 <i>K, primary boom extend/retract</i>	1
--	74512	MAN,FUNC,SM BOOM DC MACHINES <i>Complete from SN 2894 to SN 3215</i>		--	40413	COIL,SOLND,W/D,20V SGL SPADE	
--	74966	MANIFOLD,FUNC.Z30N,Z34DC,BE,N*		--	52943	NUT,SOLENOID VALVE	
1	52599	VALVE,SOLENOID,3POS/4WAY*.....1 <i>A, platform level up/down</i>		--	72047	SEAL KIT, SOLENOID VALVE	
--	40413	COIL,SOLND,W/D,20V SGL SPADE		12	56820	SWITCH,PRESS,#6SAE,600 PSI F**1 <i>L, brake circuit</i>	1
--	52943	NUT,SOLENOID VALVE		13	45544	VALVE SOLENOID.....1 <i>M, brake circuit</i>	1
--	72047	SEAL KIT, SOLENOID VALVE		--	40413	COIL,SOLND,W/D,20V SGL SPADE <i>(single-spade coil)</i>	
2	52604	VALVE,COUNTERBALANCE, 3000PSI.....1 <i>B, platform level down</i>	1	--	52339	COIL,SOLND,W/D,20V DUAL SPADE <i>(dual-spade coil)</i>	
--	58994	SEAL KIT,VALVE (48647)		--	52943	NUT,SOLENOID VALVE	
3	52604	VALVE,COUNTERBALANCE, 3000PSI.....1 <i>C, platform level up</i>	1	--	74902	SEAL KIT, VALVE <i>for 45544</i>	
--	58994	SEAL KIT,VALVE (48647)		14	19789	PLUG,ORIFICE-.045.....1 <i>N, steer circuit</i>	1
4	52603	VALVE,RELIEF,1100PSI***1 <i>D, turntable rotate left/right</i>	1	15	19789	PLUG,ORIFICE-.045.....1 <i>O, brake circuit</i>	1
--	110199	SEAL KIT, VALVE, #10		16	44956	VALVE,SOLENOID 20V W/DIODE.....1 <i>P, brake circuit</i>	1
5	52601	VALVE,RELIEF,1600 PSI.....1 <i>E, secondary boom down</i>	1	--	40413	COIL,SOLND,W/D,20V SGL SPADE	
--	74902	SEAL KIT, VALVE		--	45921	RETAINER-N.C.PROPOR.SOLENOID	
6	52601	VALVE,RELIEF,1600 PSI.....1 <i>F, primary boom down</i>	1	--	74902	SEAL KIT, VALVE	
--	74902	SEAL KIT, VALVE		17	74425	VALVE,DIFF.SENSE***1 <i>Q, differential sensing circuit</i>	1
7	31527	VALVE,RELIEF 1800 PSI.....1 <i>G, primary boom extend</i>	1	--	110197	SEAL KIT, VALVE, #10	
--	74902	SEAL KIT, VALVE		18	52715	VALVE,RELIEF,3200 PSI***1 <i>R, system relief</i>	1
8	40410	VALVE,PROPORTIONAL**1 <i>H, system flow regulating unit</i>	1	--	74902	SEAL KIT, VALVE	
--	29032	COIL,24V SOLENOID VALVE		19	48997	NIPPLE,DIAGNOSTIC,#4 PORT***1 <i>S, testing</i>	1
--	45921	RETAINER-N.C.PROPOR.SOLENOID					
--	89310	SEAL KIT, SOLENOID VALVE					

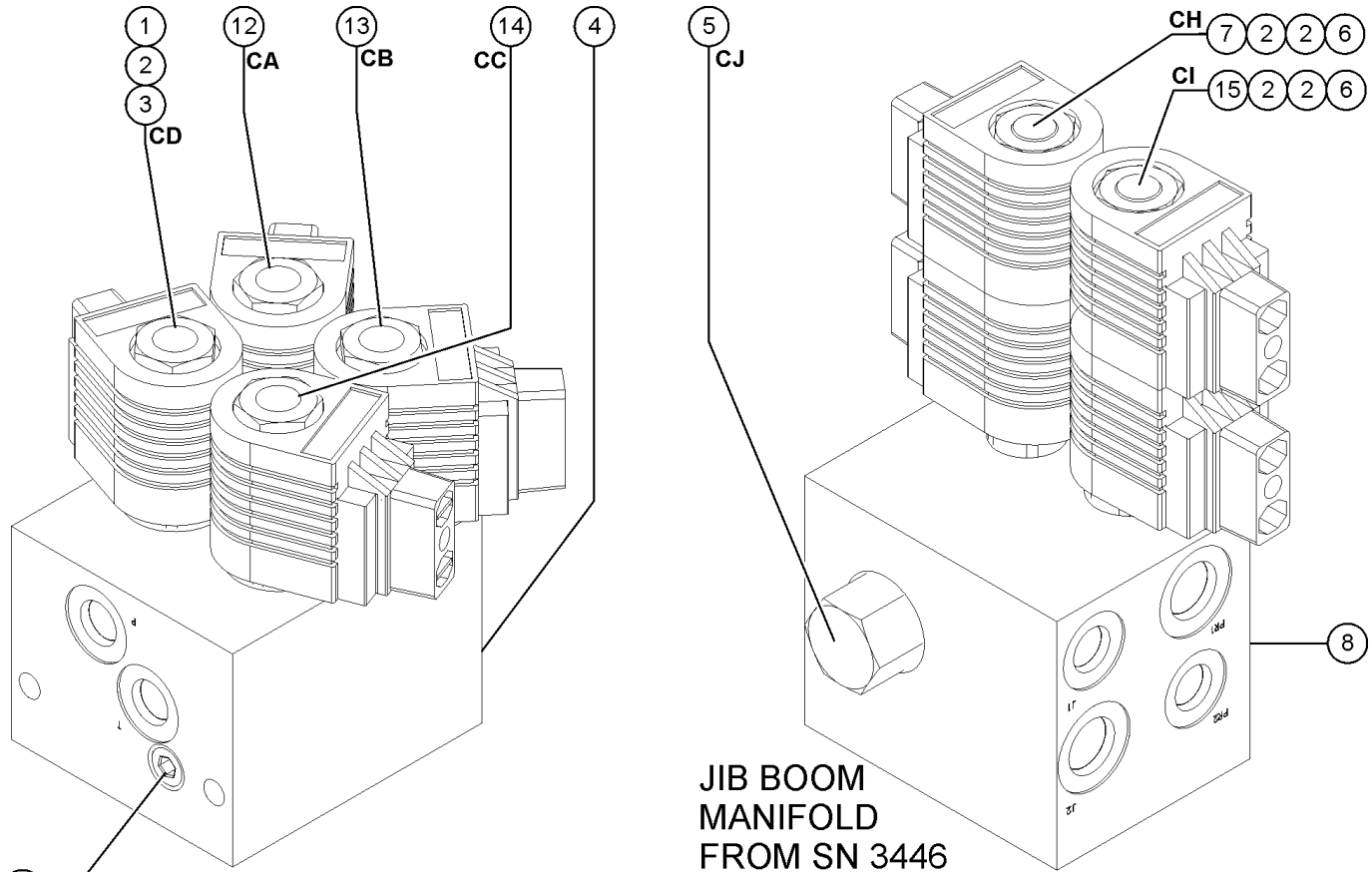


703.1 Function Manifold (from SN 3447)
(continued)

Item	Part No.	Description	Qty.
--	20224	DIAGNOSTIC FEMALE Q-DSCNT	
20	52599	VALVE,SOLENOID,3POS/4WAY*.....1 <i>T, secondary boom up/down</i>	
--	40413	COIL,SOLND,W/D,20V SGL SPADE	
--	52943	NUT,SOLENOID VALVE	
--	72047	SEAL KIT, SOLENOID VALVE	
21	52599	VALVE,SOLENOID,3POS/4WAY*.....1 <i>U, primary boom up/down</i>	
--	40413	COIL,SOLND,W/D,20V SGL SPADE	
--	52943	NUT,SOLENOID VALVE	
--	72047	SEAL KIT, SOLENOID VALVE	
22	19470	VALVE,FLOW REGULATOR.....1 <i>V, turntable rotate circuit</i>	
--	74902	SEAL KIT, VALVE	
23	52598	VALVE,FLOW REGULATOR .8 GPM.....1 <i>W, jib boom/platform rotate circuit</i>	
--	74902	SEAL KIT, VALVE	
24	52885	VALVE,SOLENOID,3POS 4WAY.....1 <i>X, turntable rotate left/right</i>	
--	40413	COIL,SOLND,W/D,20V SGL SPADE	
--	52943	NUT,SOLENOID VALVE	
--	72047	SEAL KIT, SOLENOID VALVE	
25	94019	ORIFICE, 0.035" (74512,74966).....1 <i>Y, jib boom/platform rotate circuit</i>	
26	48880	CAP,DIAGNOSTIC NIPPLE.....1	

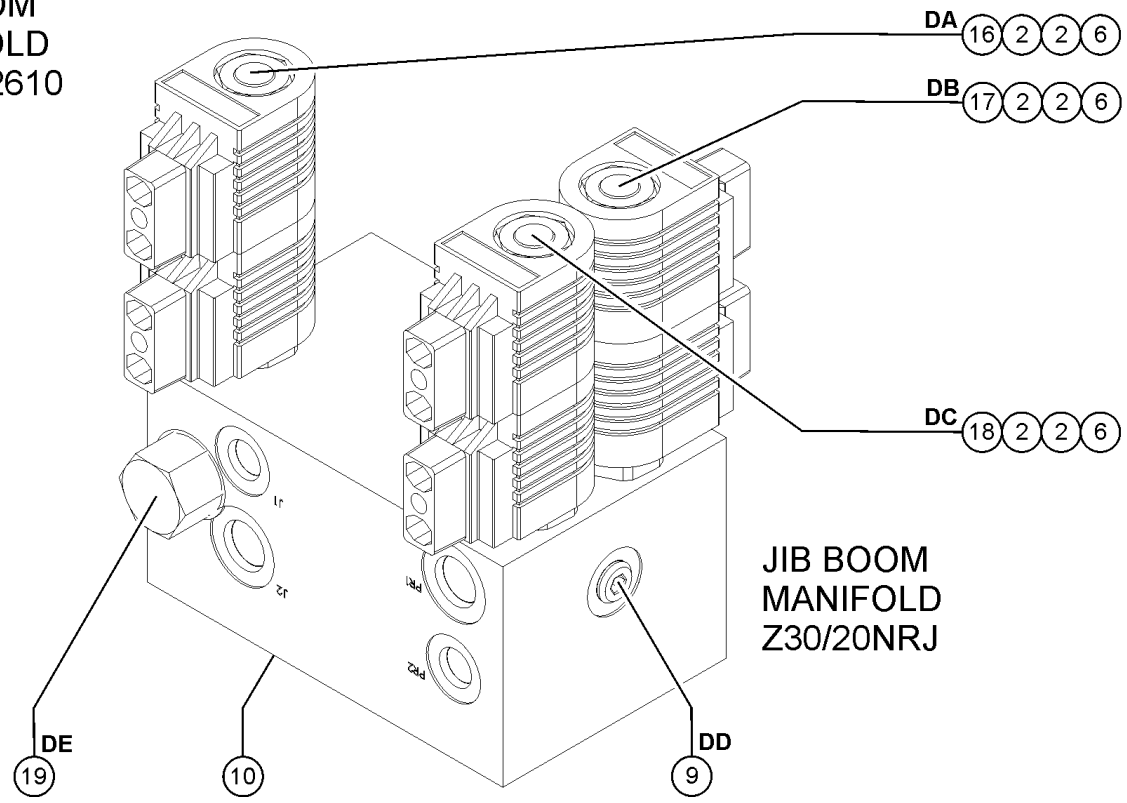
This Page Intentionally Left Blank

704.1 Jib Boom Manifolds



11 CE JIB BOOM MANIFOLD TO SN 2610

JIB BOOM MANIFOLD FROM SN 3446



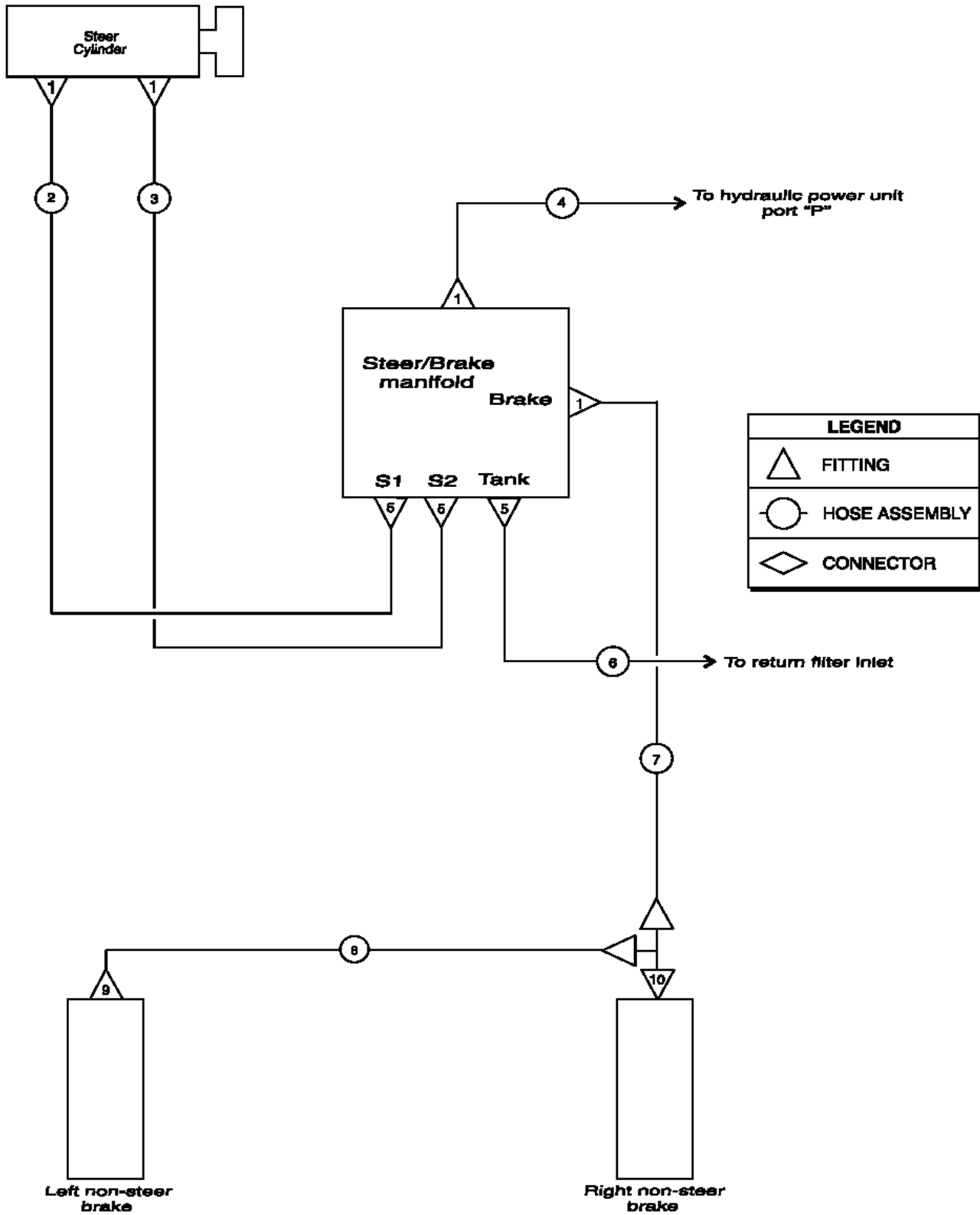
JIB BOOM MANIFOLD Z30/20NRJ

704.1 Jib Boom Manifolds

Item	Part No.	Description	Qty.	Item	Part No.	Description	Qty.
1	44954	VALVE,SOLENOID,20V W/ DIODE **1 <i>CD, Jib Boom Up, includes items 2 and 3; to SN 3720</i>	1	10B	139463	MANIFOLD,JIB, 24V RJ***1 <i>from SN 12102</i>	1
2A	40413	COIL,SOLND,W/D,20V SGL SPADE14 <i>(spade connector) to SN 12101</i>	14	--	139560	SOLENOID VALVE W/NUT***	
2B	139561	COIL, SOLENOID VALVE, 24V*** <i>(Deutsch connector) from 12102</i>		--	139561	COIL, SOLENOID VALVE, 24V***	
3	52943	NUT,SOLENOID VALVE9	9	--	139563	VALVE, FLOW CTRL, PRES COMP***	
4	42422	MANIFOLD,JIB/ROTATE,24V1 <i>includes items 1-3 and 11; to SN 2609</i>	1	--	139565	SEAL KIT, JIB MANIFOLD, RJ***	
--	56177	JIB MAN W/#4 PORTS 20V1 <i>includes items 1-3 and 11; from SN 2610 to SN 3446</i>	1	--	229074	CLAMP,WIRE HARNESS1	1
--	65523	ORIFICE, 0.028" (56179)		--	8915	SCREW,HHC,1/4-20 X 1.251	1
5A	31099	VALVE,FLOW REGULATOR1 <i>CJ, Platform Rotating Circuit</i>	1	11	32669	ORIFICE PLUG,.025 (30551)1 <i>CE, Platform Rotate Circuit</i>	1
5B	139563	VALVE, FLOW CTRL, PRES COMP***		12	44954	VALVE,SOLENOID,20V W/ DIODE **1 <i>CA, Jib Boom Down, includes items 2 and 3; to SN 3720</i>	1
6A	52599	VALVE,SOLENOID,3POS/4WAY*10 <i>includes items 2 and 7; to SN 12101</i>	10	13	44954	VALVE,SOLENOID,20V W/ DIODE **1 <i>CB, Platform Rotate Left, includes items 2 and 3; to SN 3720</i>	1
6B	139560	SOLENOID VALVE W/NUT*** <i>includes items 2 and 7; from SN 12102</i>		14	44954	VALVE,SOLENOID,20V W/ DIODE **1 <i>CC, Platform Rotate Right, includes items 2 and 3; to SN 3720</i>	1
7	52943	NUT,SOLENOID VALVE1 <i>CH, Jib Boom Circuit</i>	1	15	52943	NUT,SOLENOID VALVE1 <i>CI, Platform Rotate Circuit</i>	1
8A	74124	MANIFOLD,JIB Z30N,Z34N,BE,DC1 <i>includes items 2 and 5-7; from SN 3447 to SN 12101</i>	1	16	52943	NUT,SOLENOID VALVE1 <i>DA, Jib Rotator</i>	1
--	48905	CONN,520120-4***		17	52943	NUT,SOLENOID VALVE1 <i>DB, Jib Boom Circuit</i>	1
--	48915	ELBOW,90D,520220-6		18	52943	NUT,SOLENOID VALVE1 <i>DC, Platform Rotate Circuit</i>	1
8B	139462	MANIFOLD,JIB, 24V NON RJ***1 <i>(from SN 12102)</i>	1	19A	31099	VALVE,FLOW REGULATOR1 <i>DE, Platfrom Rotating Circuit; to SN 12101</i>	1
--	139560	SOLENOID VALVE W/NUT***		19B	139563	VALVE, FLOW CTRL, PRES COMP***1 <i>DE, Platfrom Rotating Circuit; from SN 12102</i>	1
--	139561	COIL, SOLENOID VALVE, 24V***					
--	139563	VALVE, FLOW CTRL, PRES COMP***					
--	139564	SEAL KIT, JIB MANIFOLD, NON RJ					
--	229074	CLAMP,WIRE HARNESS					
--	8915	SCREW,HHC,1/4-20 X 1.25					
9	74404	ORIFICE PLUG,M6X1,0.0251	1				
10A	74053	MANIFOLD,JIB Z30NRJ1 <i>includes items 2, 5-7 and 9; to SN 12101</i>	1				

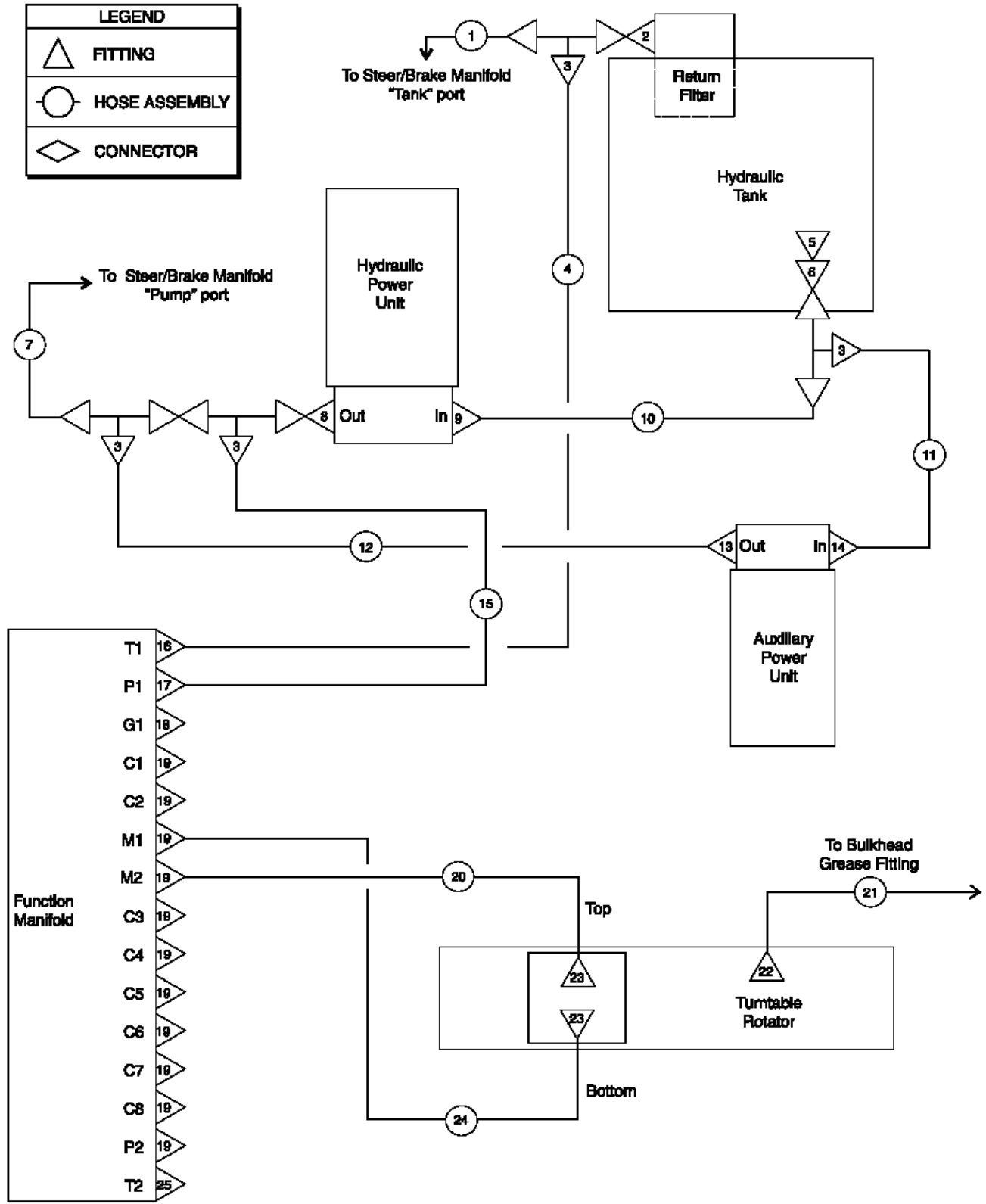


801.1 Drive Chassis



Item	Part No.	Description	Qty.
1	48911	ELBOW,90D,520220-4-6***.....	2
2A	42800	HOSE ASSY,PORT'S1'-END OF CYL*..... (to SN 3446)	1
2B	56895	HOSE ASSY,PORT'S1'-END OF CYL* (from SN 3447 to SN 5119)	
2C	74581	HOSE ASSY, 1/4", 65.00 (from SN 5120)	
3A	42801	HOSE ASSY,PORT'S2'-ROD END*.....	1
		(to SN 3446)	
3B	56896	HOSE ASSY, 1/4", 69.25 (from SN 3447)	
4A	42806	HOSE ASSY-PUMP-HYD PWR UNIT 'P.....	1
		(to SN 3446)	
4B	56894	HOSE ASSY, 1/2", 66.50 (from SN 3447)	
5	48912	CONN,520120-4-6***.....	3
6A	42807	HOSE ASSY-TANK-RET FILTR INLE* (to SN 3221) (also order 48915)	
6A	48915	ELBOW,90D,520220-6 (to SN 3221)	
6B	42807	HOSE ASSY-TANK-RET FILTR INLE*.....	1
		(from SN 3222 to SN 3446)	
6C	74144	HOSE ASSY,3/8",44.00 (from SN 3447)	
7A	42804	HOSE ASSY,STR/BRK MAN-RR BRK*.....	1
		(to SN 3446)	
7B	56897	HOSE ASSY,1/4",77.50 (from SN 3447)	
8	42705	HOSE ASSEMBLY,21.75".....	1
9	48904	ELBOW,90D,520220-4-4.....	1
10	48906	TEE,RUN,520428-4.....	1




802.1 Turntable Components (to SN 3446)



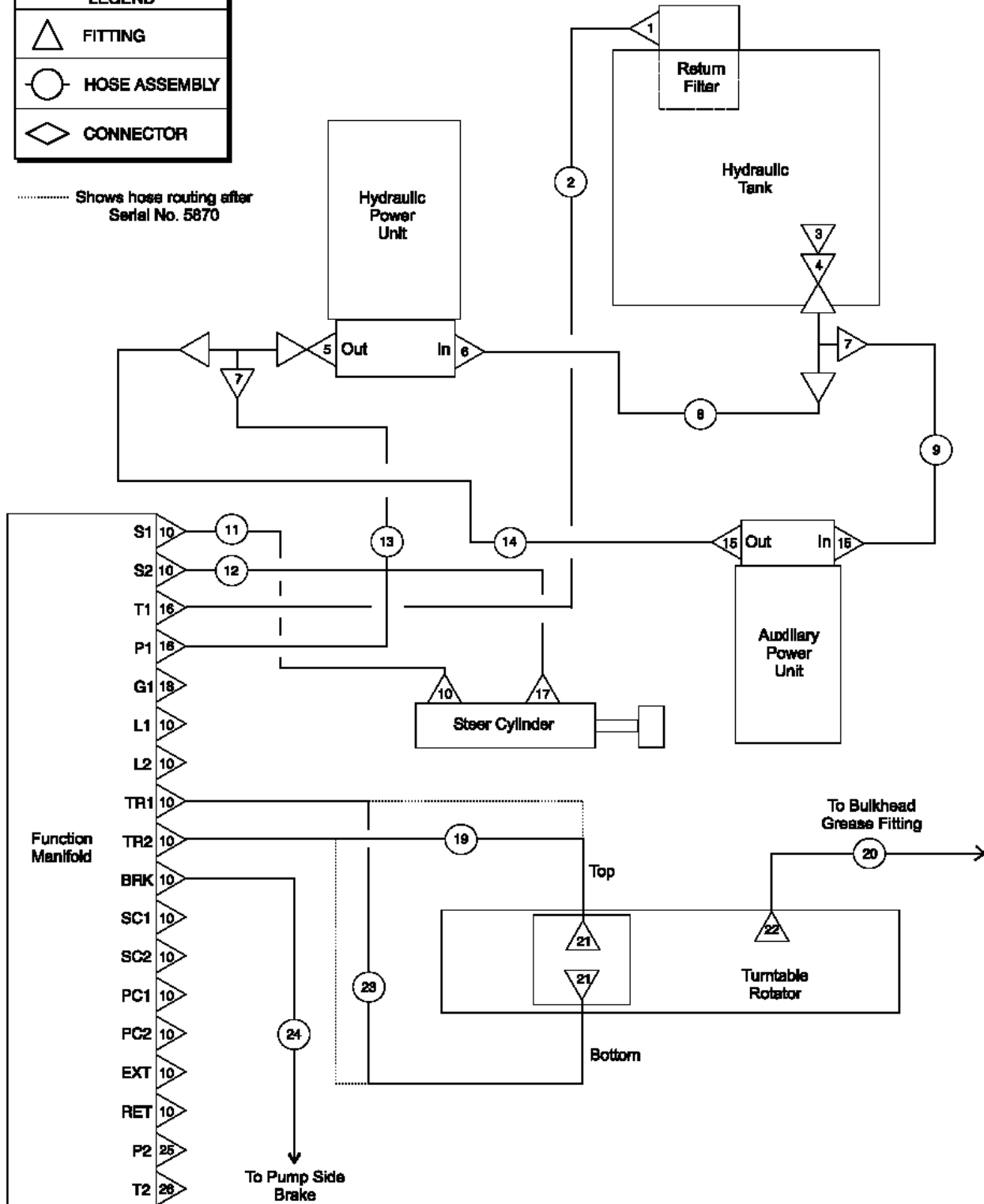
802.1 Turntable Components (to SN 3446)

Item	Part No.	Description	Qty.
1	42807	HOSE ASSY-TANK-RET FILTR INLE.....	1
--	48915	ELBOW,90D,520220-6	
2	48947	ELBOW,90D,520220-8-12.....	2
3	48938	FITTING,TEE,RUN,SWIVEL520432-8.4	
4	42816	HOSE ASSY-RET FIL-'T1'.....	1
5	42920	VALVE,BALL,90DEG.-8NPTF/-8NPTM.1	
6	48944	CONN,520102-8-8.....	1
7	42806	HOSE ASSY-PUMP-HYD PWR UNIT 'P.....	1
8	48999	VALVE,CHK,#8PORT-#8MALEORFS.1	
9	48946	CONN,520120-8-10.....	1
10	42928	HOSE ASSY, 1/2", 28.00.....	1
11	42822	HOSE ASSY, 3/8", 19.00.....	1
12	42821	HOSE ASSEMBLY,26".....	1
13	48915	ELBOW,90D,520220-6.....	1
14	56003	ELBOW,90D,LONG,521520-6.....	1
15	42815	HOSE ASSY-'P1'-HYD POWER UN.....	1
16	48930	FITTING,CONN,520120-6-8***.....	1
17	48916	FITTING,CONN,520120-6.....	1
18	48997	NIPPLE,DIAGNOSTIC,#4 PORT***.....	1
19	48912	CONN,520120-4-6***.....	11
20	42811	HOSE ASSY-'M2'TO ROT FLUID M.....	1
21	42805	HOSE ASSY,1/4", 23.25.....	1
22	31194	ELBOW,070302-4-2.....	1
23	48931	CONN,520120-6-10.....	2
24	42856	HOSE ASSY,1/4",27.50.....	1
25	48900	CONN,520120-4-6,.035,ORI.....	1

803.1 Turntable Components (from SN 3447)

LEGEND	
	FITTING
	HOSE ASSEMBLY
	CONNECTOR

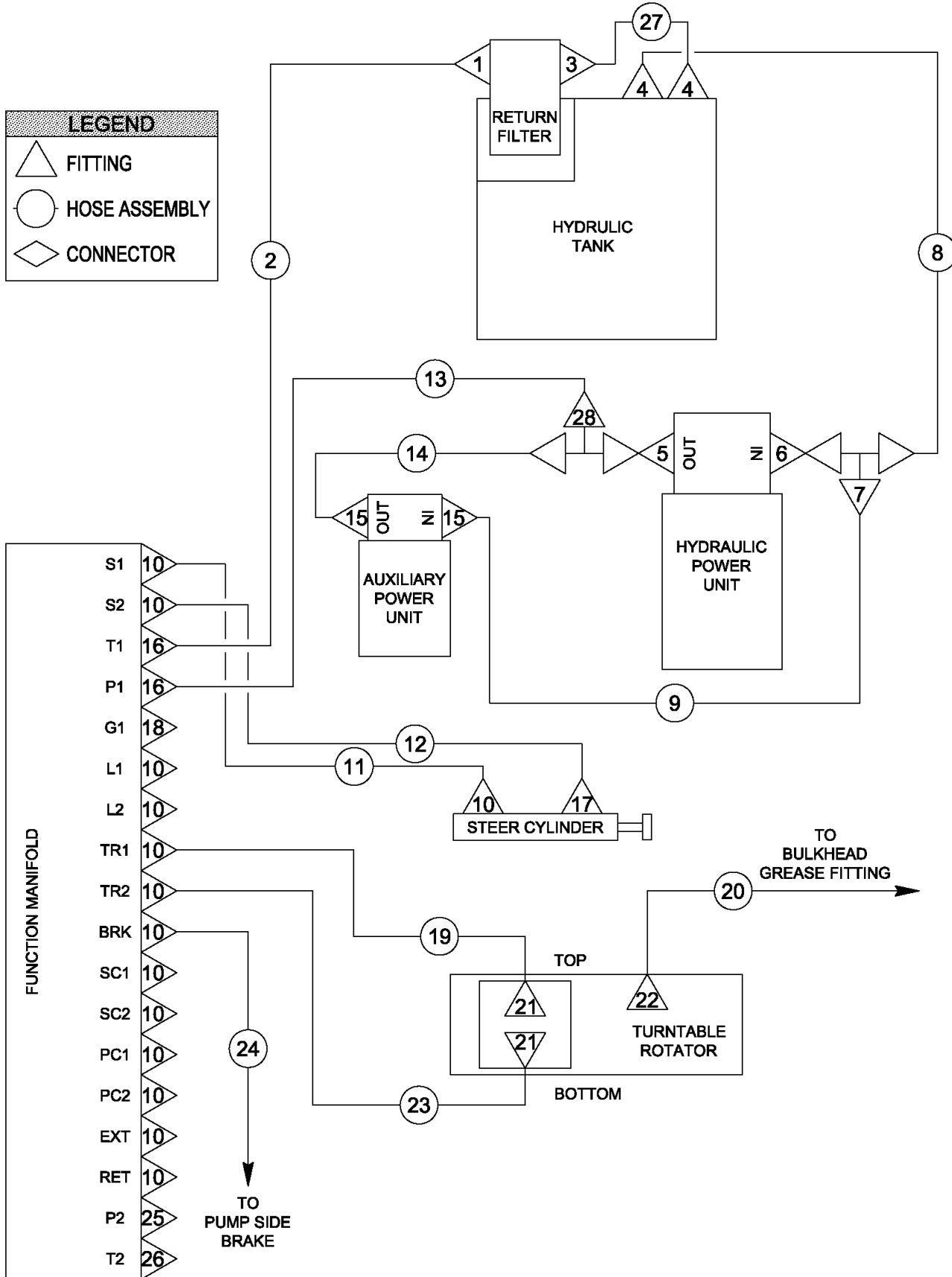
..... Shows hose routing after Serial No. 5870



803.1 Turntable Components (from SN 3447)

Item	Part No.	Description	Qty.
1	48947	ELBOW,90D,520220-8-12.....	1
2	56894	HOSE ASSY, 1/2", 66.50.....	1
3	42920	VALVE,BALL,90DEG.-8NPTF/-8NPTM.1	
4	48944	CONN,520102-8-8.....	1
5	48999	VALVE,CHK,#8PORT-#8MALEORFS.1	
6	48946	CONN,520120-8-10.....	1
7	48938	FITTING,TEE,RUN,SWIVEL520432-8.2	
8	42928	HOSE ASSY, 1/2", 28.00.....	1
9	42822	HOSE ASSY, 3/8", 19.00.....	1
10	48912	CONN,520120-4-6***.....	13
11	74581	HOSE ASSY, 1/4", 65.00.....	1
12	56896	HOSE ASSY, 1/4", 69.25.....	1
13	74144	HOSE ASSY,3/8",44.00.....	1
14	74145	HOSE ASSY, 3/8", 20.50.....	1
15	48915	ELBOW,90D,520220-6.....	2
16	48916	FITTING,CONN,520120-6.....	2
17	48937	ELBOW,45D,520320-8.....	1
18	48911	ELBOW,90D,520220-4-6***.....	1
19	56899	HOSE ASSY, 1/4", 15.00.....	1
20	42805	HOSE ASSY,1/4", 23.25.....	1
21	48931	CONN,520120-6-10.....	2
22	31194	ELBOW,070302-4-2.....	1
23	56898	HOSE ASSY, 1/4", 17.00.....	1
24	56897	HOSE ASSY,1/4",77.50.....	1
--	42705	HOSE ASSY,1/4", 20.00	
25	48905	CONN,520120-4***.....	1
26	48900	CONN,520120-4-6,.035,ORI.....	1

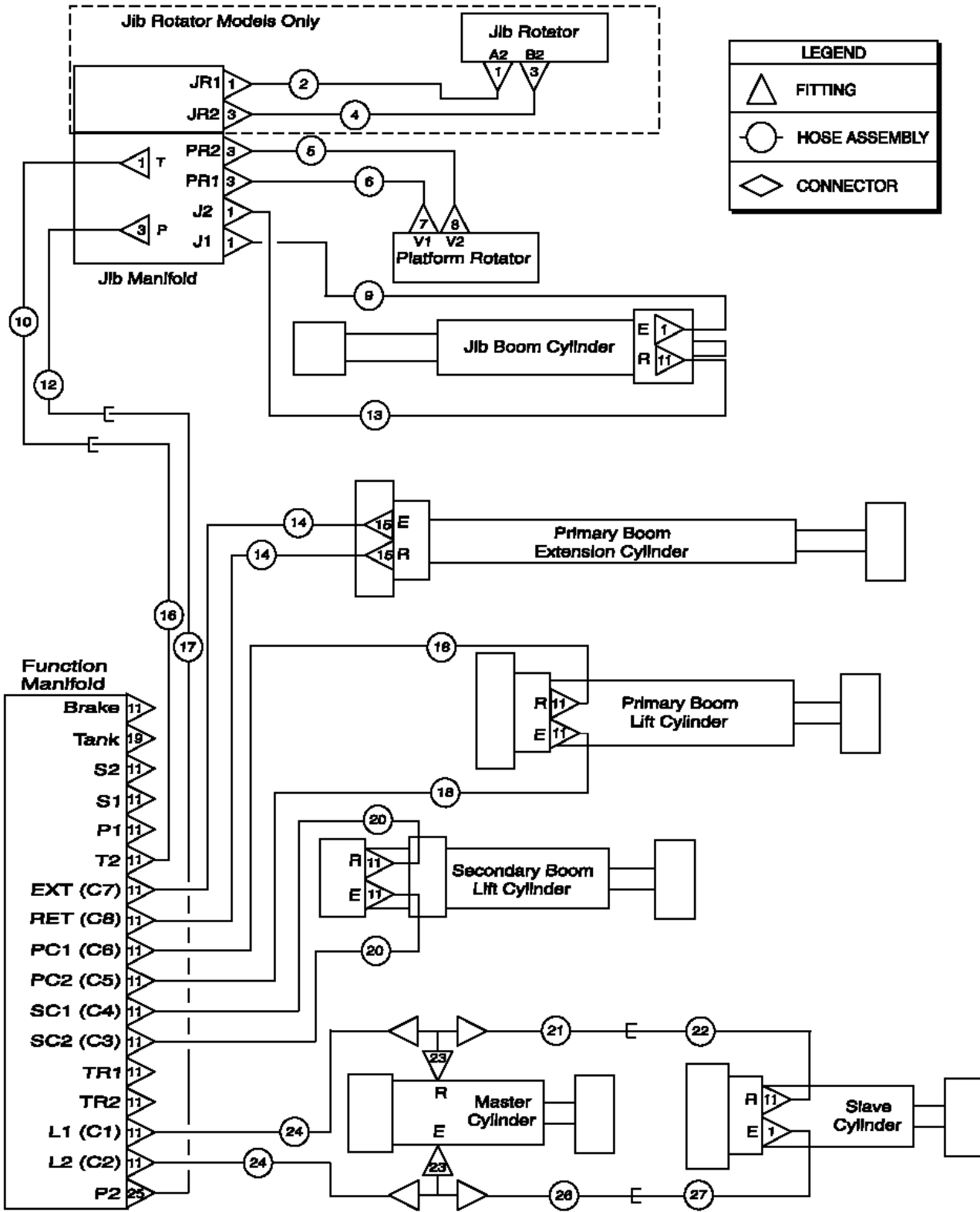
803.2 Turntable Components (from SN 12040)



803.2 Turntable Components (from SN 12040)

Item	Part No.	Description	Qty.
1	48932	FITTING,ELBOW,90D,520220-8***..1	
2	56894	HOSE ASSY, 1/2", 66.50.....1	
3	48937	ELBOW,45D,520320-8.....1	
4	128811	ELBOW,90D,520201-8.....2	
5	74136	VALVE,CHK,#8PORT-#6MALEORFS.1	
6	139877	ELBOW,90D,520220-8-10.....1	
7	48938	FITTING,TEE,RUN,SWIVEL520432-8.1	
8	139871	HOSE ASSY,1/2",21.50".....1	
9	139872	HOSE,ASSY,3/8",20.25".....1	
10	48912	CONN,520120-4-6***.....13	
11	74581	HOSE ASSY, 1/4", 65.00.....1	
12	56896	HOSE ASSY, 1/4", 69.25.....1	
13	74144	HOSE ASSY,3/8",44.00.....1	
14	74145	HOSE ASSY, 3/8", 20.50.....1	
15	48915	ELBOW,90D,520220-6.....2	
16	48916	FITTING,CONN,520120-6.....2	
17	48937	ELBOW,45D,520320-8.....1	
18	48911	ELBOW,90D,520220-4-6***.....1	
19	56899	HOSE ASSY, 1/4", 15.00.....1	
20	42805	HOSE ASSY,1/4", 23.25.....1	
21	48931	CONN,520120-6-10.....2	
22	31194	ELBOW,070302-4-2.....1	
23	56898	HOSE ASSY, 1/4", 17.00.....1	
24	56897	HOSE ASSY,1/4",77.50.....1	
--	42705	HOSE ASSY,1/4", 20.00	
25	48905	CONN,520120-4***.....1	
26	48900	CONN,520120-4-6,.035,ORI.....1	
27	128809	HOSE ASSY,1/2",12.38".....1	
28	48875	TEE,RUN,SWIVEL,520432-6.....1	

804.1 Boom Components (to SN 11304)

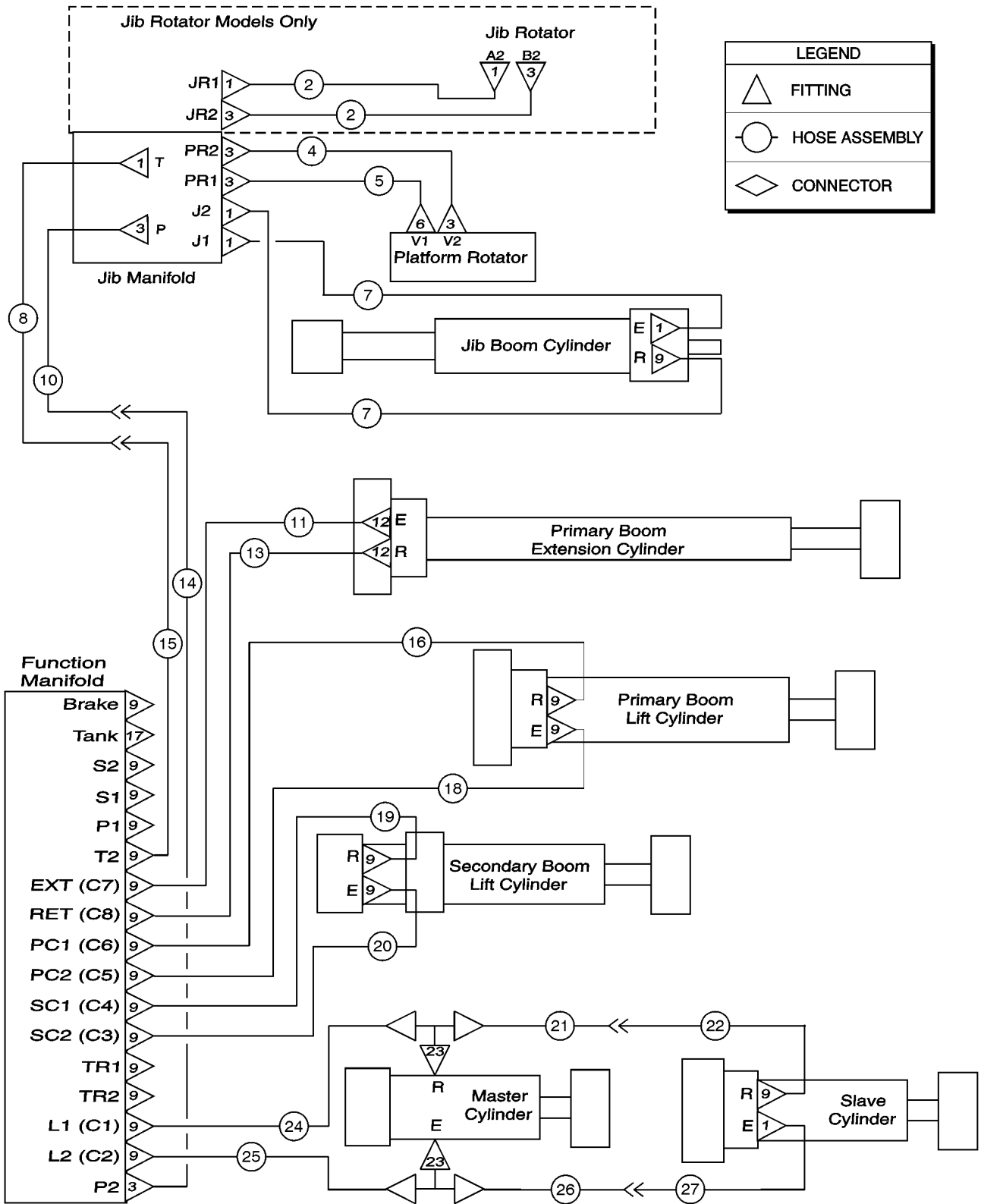


804.1 Boom Components (to SN 11304)

Item	Part No.	Description	Qty.	Item	Part No.	Description	Qty.
1	48916	FITTING,CONN,520120-6.....	7	18	42808	HOSE ASSY-C5/C6 TO PRIM BM C.....	2
2	74171	HOSE ASSY, 31.00.....	1			<i>to SN 5570</i>	
3	48905	CONN,520120-4***.....	5	--	74838	HOSE ASSY,1/4",181.00.....	1
4	74172	HOSE ASSY.....	1			<i>from SN 5571</i>	
--	74171	HOSE ASSY, 31.00.....	1	19	48937	ELBOW,45D,520320-8.....	1
5	74020	HOSE ASSY,PR2 TO PLAT ROT V2.....	1	20	139076	HOSE ASSY,1/4",65.50.....	2
		<i>to SN 4121</i>		21	74483	HOSE ASSY,1/4",168.00.....	1
--	74166	HOSE ASSY,JIB MAN TO PLAT ROT <i>from SN 4122</i>		22	42817	HOSE ASSY, 1/4", 31.50.....	1
6	74309	HOSE ASSY, 1/4", 46.50.....	1	23	48890	FITTING,TEE,BRANCH,520429-4***.2	
7	48926	FITTING,ELBOW,90D,520220-6-4...1 <i>to SN 4121</i>		24	42813	HOSE ASSY, 1/4", 166.00.....	1
--	48927	CONN,520120-6-4 <i>from SN 4122</i>		25	48905	CONN,520120-4***.....	1
8	48904	ELBOW,90D,520220-4-4.....	1	26	74482	HOSE ASSY,1/4",168.00.....	1
		<i>to SN 4121</i>		27	56945	HOSE ASSY, 0.25 X 31 IN.....	1
--	48905	CONN,520120-4*** <i>from SN 4122</i>					
9	56180	HOSE ASSY,JIB J1 TO CYL EXT.....1 <i>to SN 5780</i>					
--	74983	HOSE ASSY, 1/4", 19.00.....	1				
		<i>from SN 5781</i>					
10	56208	HOSE ASSY,JUNC TO JIB MAN T.....	1				
--	94105	HOSE ASSY,1/4",430.00					
11	48912	CONN,520120-4-6***.....	21				
12	42824-S	HOSE ASSY-JUNCTION TO JIB MANI.....	1				
--	94106	HOSE ASSY,1/4",430.00					
13	42818	HOSE ASSY-'J1' TO JIB CYL CAP....1					
--	56180	HOSE ASSY,JIB J1 TO CYL EXT					
--	74983	HOSE ASSY, 1/4", 19.00					
14	42809	HOSE ASSY,1/4",192.00.....	1				
15	49418	FITTING,ELBOW,45D,520320-4-6**.	2				
16	56245	HOSE ASSY,T2 TO JIB JUNCTION.....	1				
		<i>to SN 5944</i>					
16	94103	HOSE ASSY,1/4",481.5.....	1				
		<i>from SN 5945</i>					
17	42812	HOSE ASSY-P2 TO JIB JUNC.....	1				
		<i>to SN 5944</i>					
--	94104	HOSE ASSY,1/4",481.5.....	1				
		<i>from SN 5945</i>					



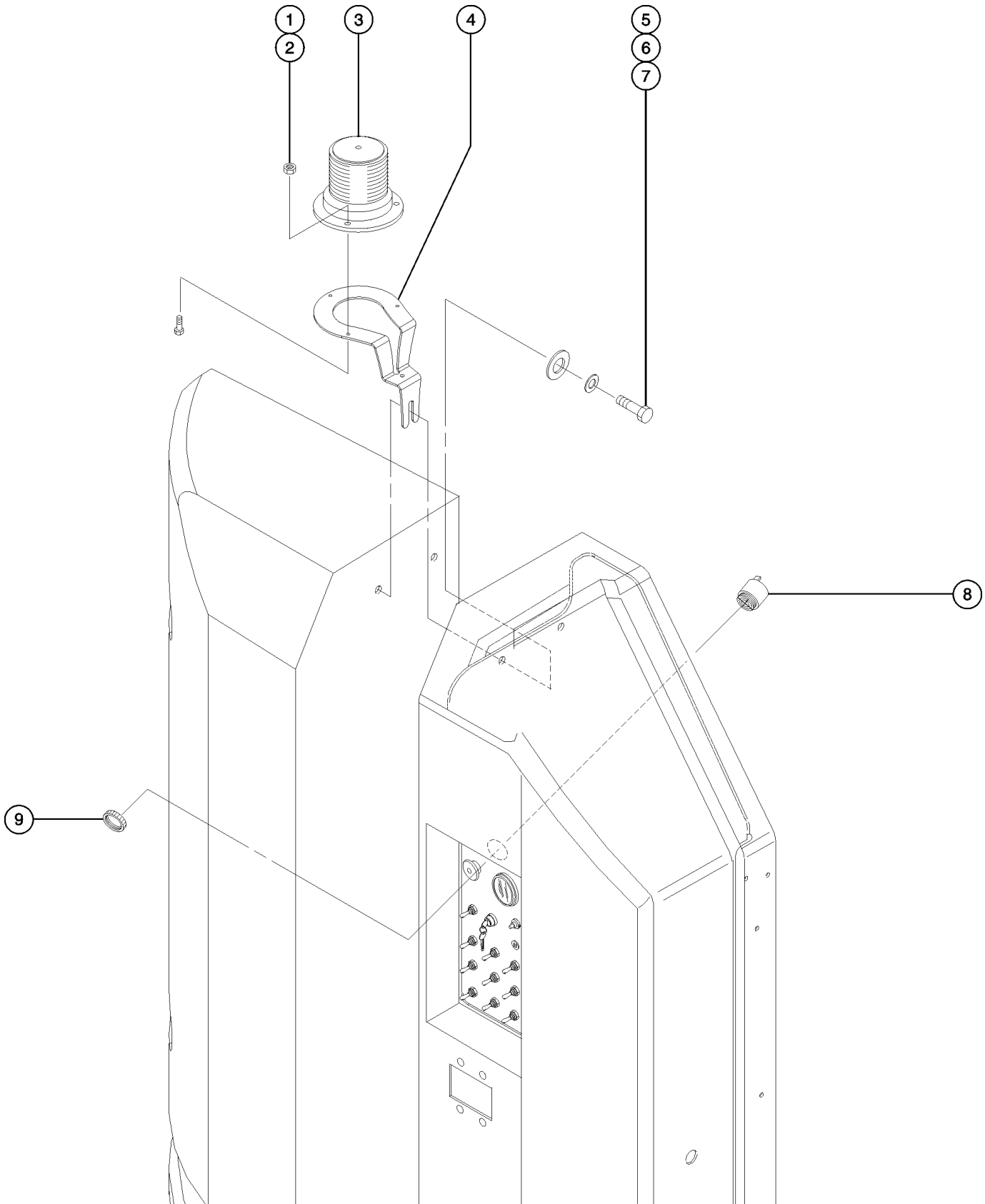
804.2 Boom Components (from SN 11305)



804.2 Boom Components (from SN 11305)

Item	Part No.	Description	Qty.
1	48916	FITTING,CONN,520120-6.....	7
2	74171	HOSE ASSY,1/4",31.00.....	2
3	48905	CONN,520120-4***.....	7
4	74308	HOSE ASSY, 1/4", 46.50.....	1
5	74309	HOSE ASSY, 1/4", 46.50.....	1
6	48927	CONN,520120-6-4.....	1
7	74983	HOSE ASSY, 1/4", 19.00.....	2
8	94105	HOSE ASSY,1/4",430.00.....	1
9	48912	CONN,520120-4-6***.....	21
10	94106	HOSE ASSY,1/4",430.00.....	1
11	42809	HOSE ASSY,1/4",192.00.....	1
12	49418	FITTING,ELBOW,45D,520320-4-6**.	2
13	139073	HOSE ASSY,1/4",192.00.....	1
14	94104	HOSE ASSY,1/4",481.5.....	1
15	94103	HOSE ASSY,1/4",481.5.....	1
16	139075	HOSE ASSY,1/4",181.00.....	1
17	48937	ELBOW,45D,520320-8.....	1
18	74838	HOSE ASSY,1/4",181.00.....	1
19	139077	HOSE ASSY,1/4",65.50.....	1
20	139076	HOSE ASSY,1/4",65.50".....	1
21	74483	HOSE ASSY,1/4",224.00.....	1
22	42817	HOSE ASSY, 1/4", 31.50.....	1
23	48890	FITTING,TEE,BRANCH,520429-4***.	2
24	48213	BUMPER,TURNTABLE STOP TMZ50.....	1
25	139074	HOSE ASSY,1/4",166.00.....	1
26	74482	HOSE ASSY,1/4",224.00.....	1
27	56945	HOSE ASSY, 1/4", 31.00.....	1

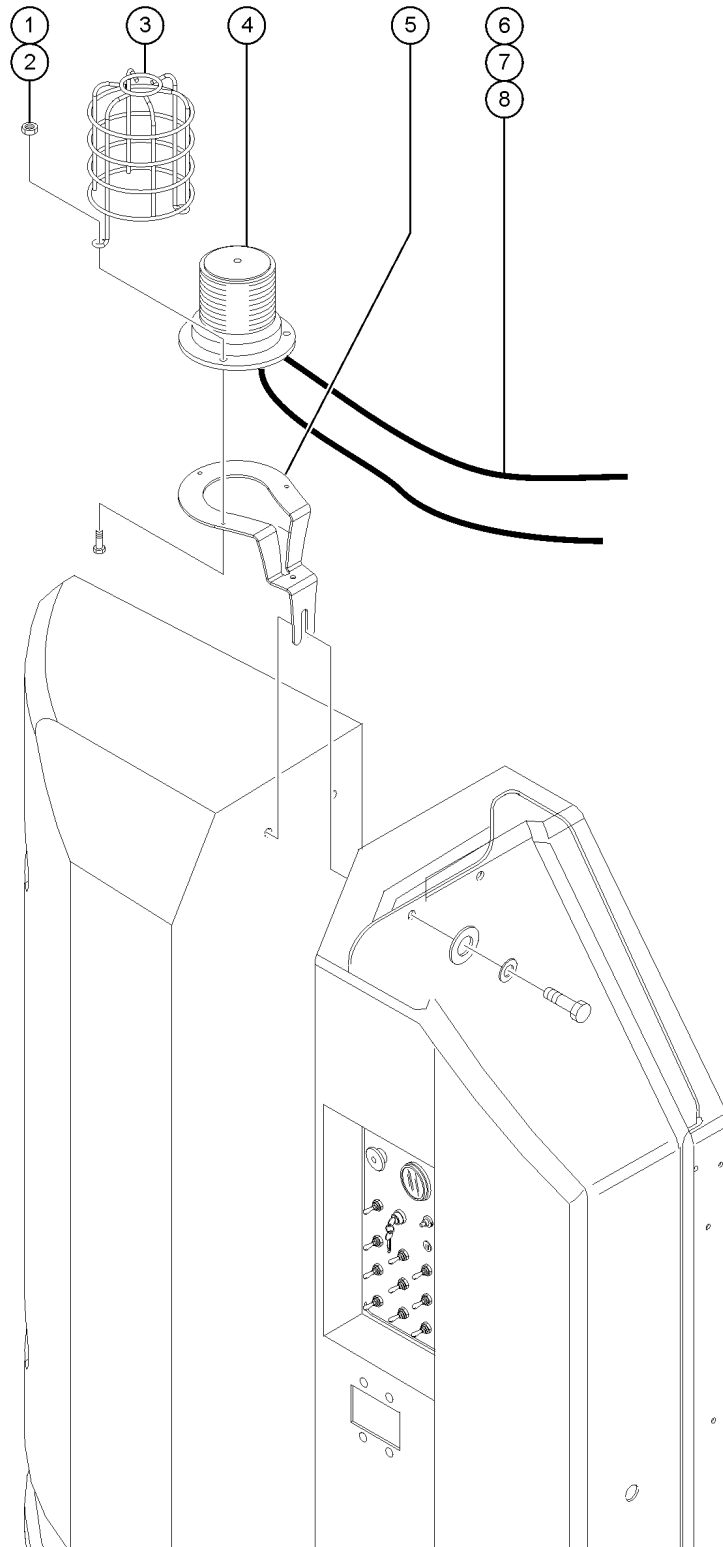
901.1 Flashing Beacon and Descent Alarm (to SN 10538)



901.1 Flashing Beacon and Descent Alarm (to SN 10538)

Item	Part No.	Description	Qty.
1	6178	NUT,NYLOCK,10-32	
2	49816	SCREW,PHILLIPS,PHM,10-32 X .75.....3 <i>(replaced 56716)</i>	
3	56704	STROBE,FIREBOLT,12-80VDC,AMB** <i>(replaced 20189)</i>	1
--	122019	FLASHTUBE,U SHAPED,360DEG,BULB	
--	226393	FLASHTUBE,STRAIGHT,360DEG,BULB	
--	72282	LENS,AMBER,STROBE,FIREBOLT	
4	56289-S	BRACKET,BEACON LIGHT.....	1
5	6019	SCREW,HHC,3/8-16 X 1.25 GRD 5	
6	6021	WASHER,LOCK,.,375	
7	15086	WASHER,FLAT,.375 X 1.5 X .125	
8	45462	ALARM,CHIME TONE 5-25VDC***1 <i>Does not include 72326 nut</i>	
9	72326	NUT - PLASTIC,RING FOR ALARMS.....	1

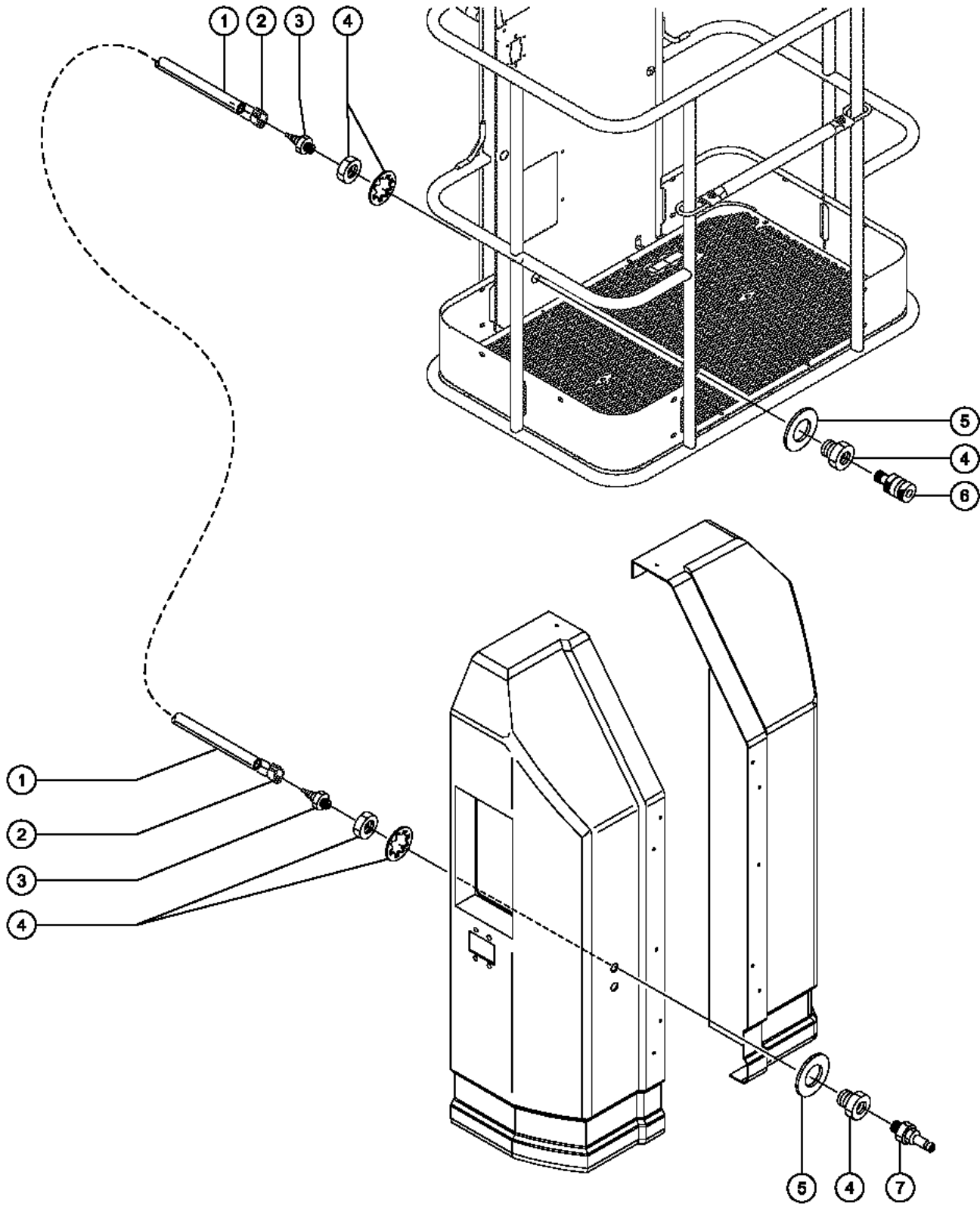
901.2 Flashing Beacon and Descent Alarm (from SN 10539)



901.2 Flashing Beacon and Descent Alarm (from SN 10539)

Item	Part No.	Description	Qty.
1	14392	NUT,LP NYLOCK,10-32.....	3
2	49816	SCREW,PHILLIPS,PHM,10-32 X .75.....	3
3	230645	GUARD,BEACON,NARROW..... (EE Units Only)	1
4A	20189	STROBE,FIREBOLT12-72VDC,AMB***	1
--	122019	FLASHTUBE,U SHAPED,360DEG,BULB	
--	226393	FLASHTUBE,STRAIGHT,360DEG,BULB	
--	72282	LENS,AMBER,STROBE,FIREBOLT	
4B	231931	STROBE,BEACON, AC COMP 12-80V..... (EE Units Only)	1
5	56289-S	BRACKET,BEACON LIGHT.....	1
6	56051	WIRE CABLE,16/2,WHT/BLK,SJEOW.62-inches	
7	38682	COUPLER,MALE,BRAZED SEAM:16/14.....	2
8	40609	TERMINAL,FEMALE COUPLER,BLUE.....	2

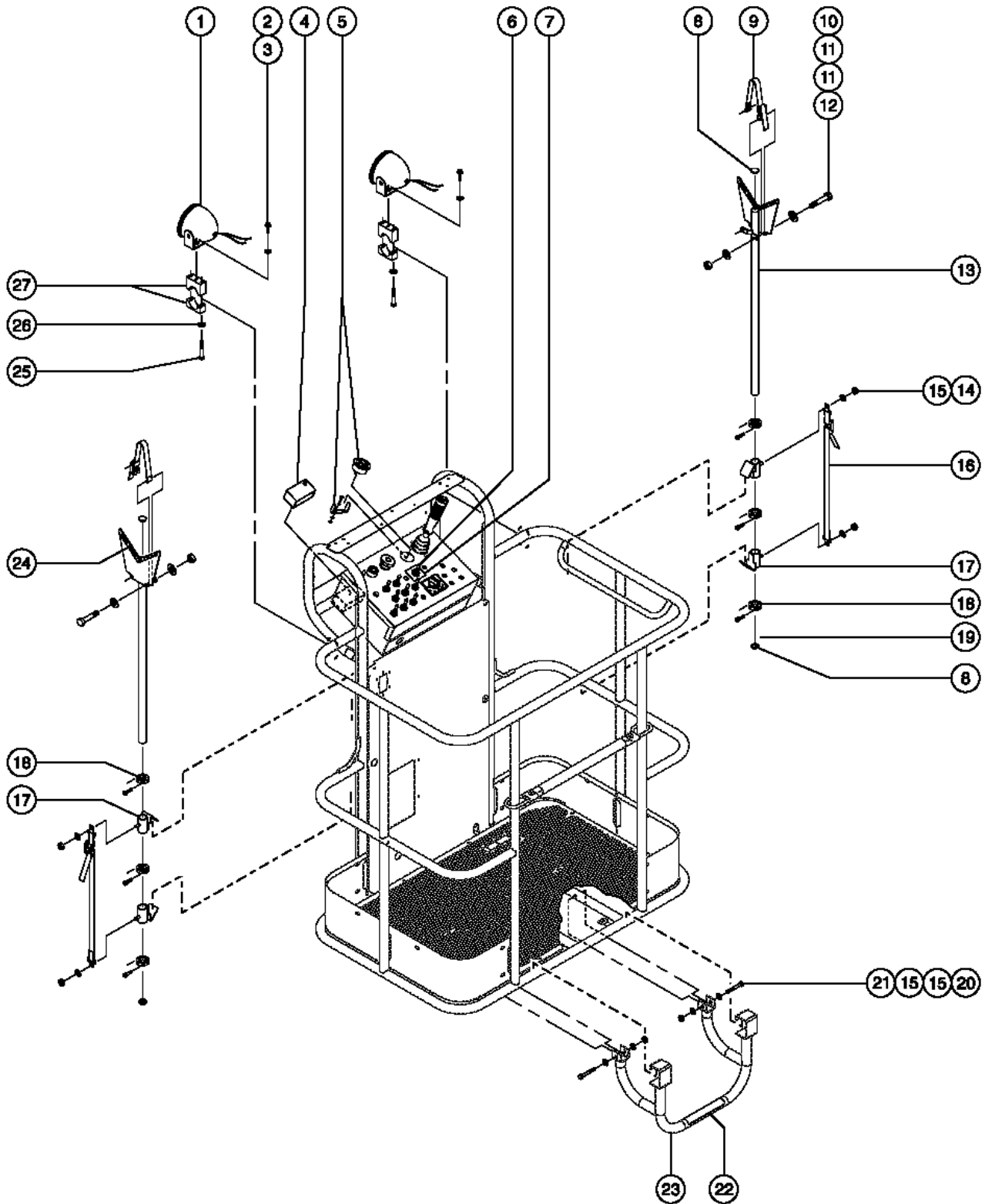
902.1 Air Line to Platform



902.1 Air Line to Platform

Item	Part No.	Description	Qty.
--	56261	HOSE ASSEMBLY,AIRLINE TO PLAT <i>includes items 1, 2 and 3</i>	
1	27903	HOSE,LOW PRESSURE,.375 ID,BLK.....510-inches	
2	27902	CLAMP,HOSE,2 EAR, 5/8.....2	
3	27901	HOSE END,BARBED,RIGID,-6-6.....2	
4	27900	BULKHEAD,FEMALE X 6 X 6.....2 <i>Includes nut and star washer</i>	
5	13775	WASHER,FLAT,1.063 X 2 X .134.....4	
6	27895	COUPLER,1/4"SERIES 3/8 MPT.....1	
7	27894	PLUG,1/4"SERIES,3/8 MPT.....1	
8	21618	CLAMP,1.13,#18 X 1/4,RUB CUSH.....7 <i>not shown</i>	
9	45454	CLAMP,RUB CUSH,0.75,#12 X 3/8*.....1 <i>not shown</i>	
10	27904	HOSE END,BARBED,RIGID,90DEG6-6.....1 <i>not shown</i>	
11	44981	DECAL,LABEL,AIRLINE 110 PSI.....2 <i>not shown</i>	
12	6578	CABLE TIE,7 3/8".....20 <i>not shown</i>	

903.1 Platform Options - View 1

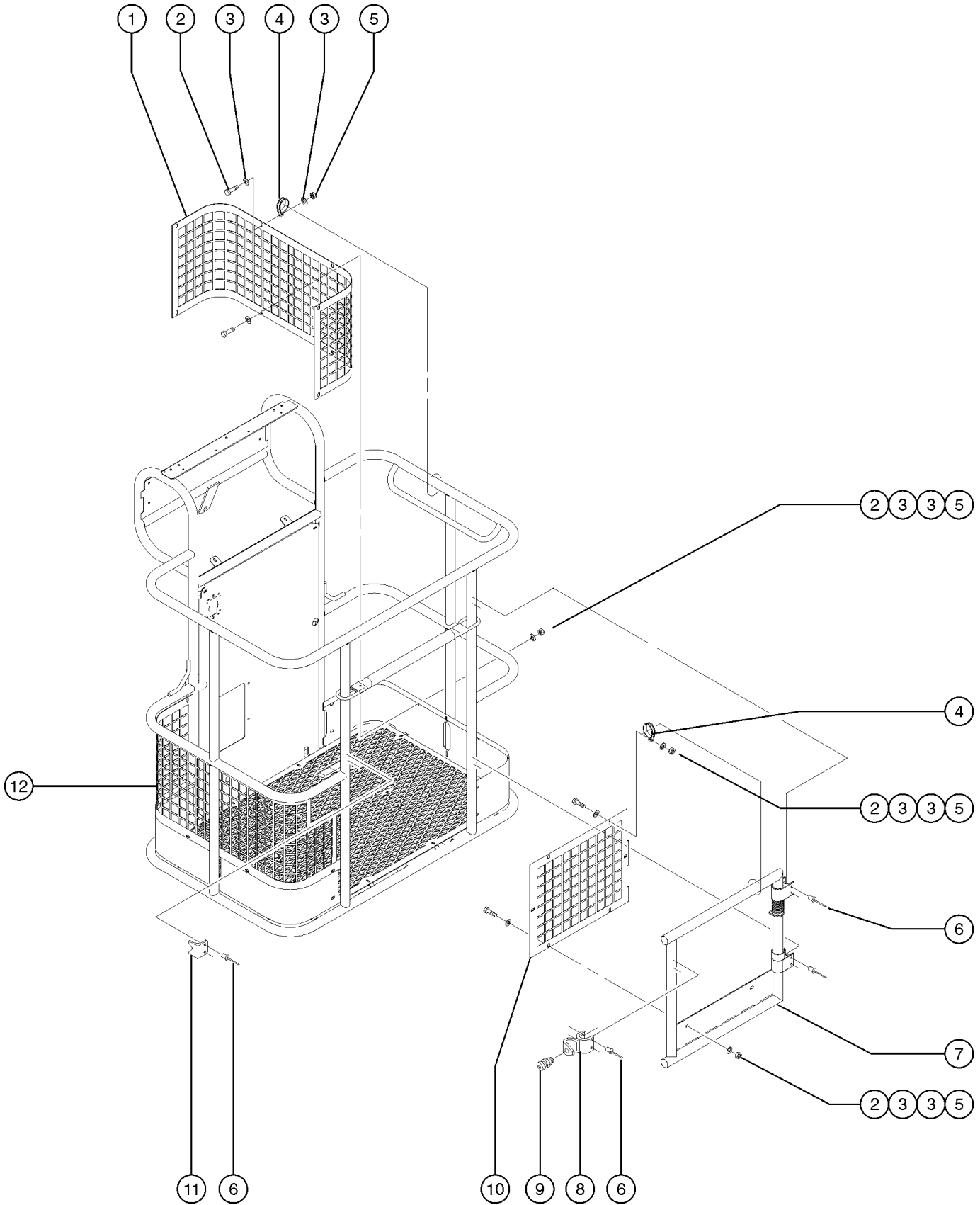


903.1 Platform Options - View 1

Item	Part No.	Description	Qty.	Item	Part No.	Description	Qty.
--	101649	OPTION,CONTROL BOX COVER...1 <i>see 904.2 for illustration</i>		10	6884	SCREW,HHC,1/4-20 X 2.5	
--	139362	POWER TO PLAT, DOMESTIC		11	6638	WASHER,FLAT,USS,1/4"Y	
--	139363	POWER TO PLAT, UK		12	6889	NUT,LP NYLOCK,1/4-20	
--	139364	POWER TO PLAT, NO PLUG		13	56572-S	PIPE CRADLE ASSY. SERV (ONE)**.....1	
--	139365	POWER TO PLAT,EURO PLUG220/50		--	19018	TRIMLOCK,BLACK,5/32"	
--	56486-S	ACCESSORY,WORKLIGHT,48 VOLT <i>Complete from SN 3447</i>		--	45385	PLUG,NYLON 1.12 BLACK DOMED	
--	56486	ACC,WORKLIGHT,48V** <i>Complete to SN 3446</i>		--	6525-S	Pipe Cradle	
--	56903	ACCESSORY,PLATFORM STEP		--	72875	DECAL,WARNING,PIPE CRADLE,BOOM	
--	65630	INSTRUCTIONS-PIPE CRADLE,BOOMS		14	7713	NUT,LP NYLOCK,3/8-16	
--	85300	PIPE CRADLE ASSY. SERV (ONE)**		15	6097	WASHER,FLAT,USS,3/8",Y	
--	94262	OPTION,CONTROL BOX COVER***1		16	56569	STRAP,PIPE CRADLE , 30".....2	
1	107858	WORKLIGHT,48 VOLT***.....2 <i>(replaced PN 35958)</i>		17	56542	WELDMENT, PIPE CRADLE CLAMP.....4	
--	823226	POWER RELAY, 24V COIL <i>(replaced PN 35959)</i>		18	56528	COLLAR, ID 1.25,OD 2.062 W.5.....6	
2	18506	5/16-18 X .75 LG.FLG.LCK.SCREW		19	65533	SCREW,SHC,1/4-28 X 0.75"-56528	
3	5397	WASHER,FLAT,USS,5/16",Y		20	8178	SCREW,HHC,3/8-16 X 2.5	
4	119147	ACC.RETRO KIT LVI/BCI ENGAG II.....1 <i>Can only be used to upgrade machines which already have the LVI/BCI option installed from the factory; to SN 9346</i>		21	4828	NUT,NYLOCK,3/8-16	
--	119129	HARN RETRO LVI/BCI ENGAGE II		22	32358	TAPE,NON-SKID,1" WIDE,BULK	
5A	237145	IND,BAT CHARGE,48V LEAD-ACID.....1 <i>(includes mounting bracket) to sn 9346</i>		23	56903	ACCESSORY,PLATFORM STEP.....1 <i>includes items 15 and 20-22</i>	
--	23083-S	FUSE HOLDER,WATERPROOF		24	19018	TRIMLOCK,BLACK,5/32"	
5B	110651	LVI/BCI 36/48 VOLT ENGAGE II <i>from sn 9347</i>		25	6637	SCREW,HHC,1/4-20 X 1.75	
--	110652	GASKET LVI/BCI ENGAGE II					
--	119133	HARN LVI/BCI ENGAGE II Z34DC					
--	13097	FUSE,10 AMP					
6	56457-S	SWITCH,TOGGLE,SPDT,2 POS MAINT1					
7	72867	DECAL,LABEL,LIGHTS***1					
8	45385	PLUG,NYLON 1.12 BLACK DOMED.....4					
9	56570	STRAP, CONDUIT HOLDER 60".....2					



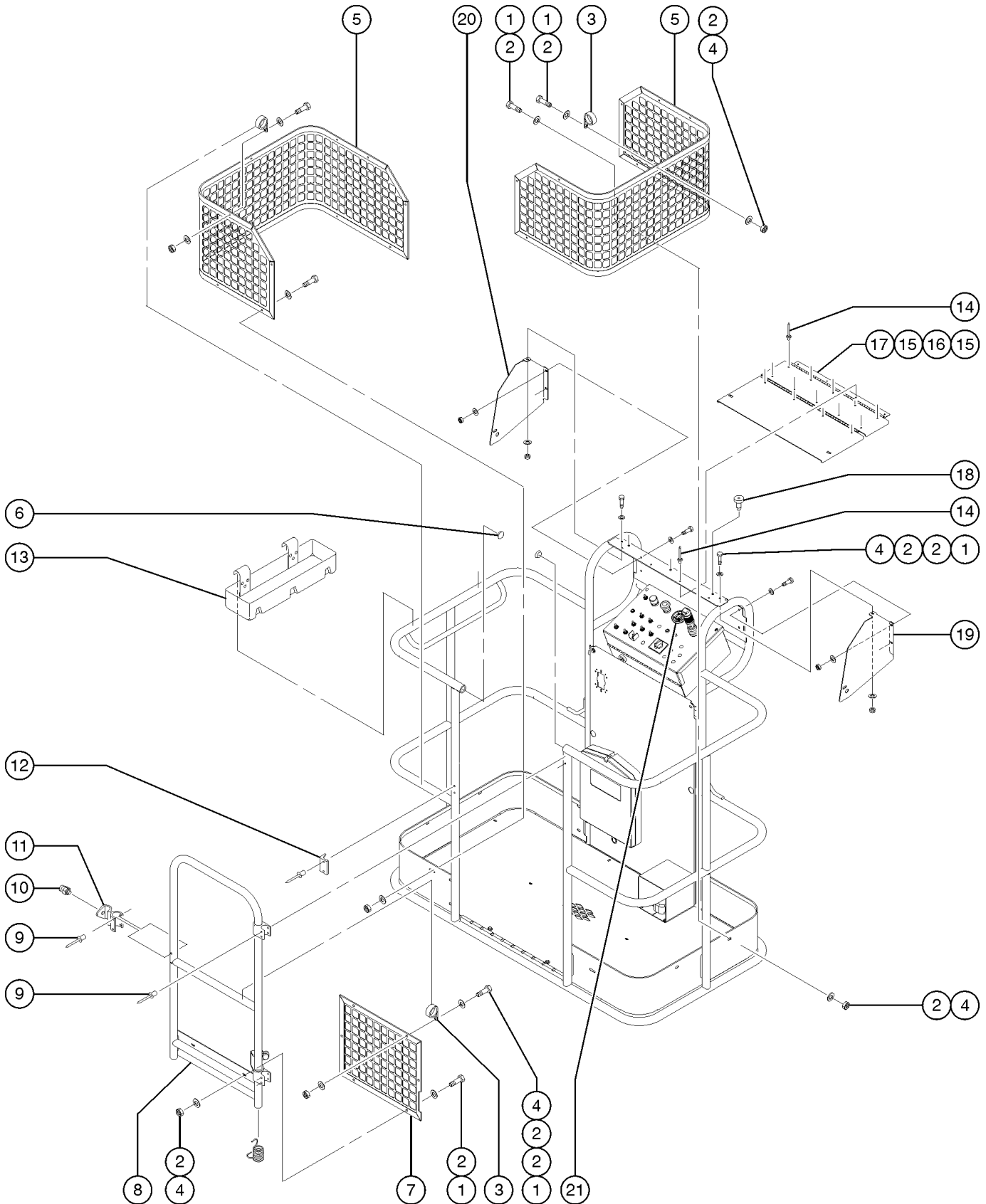
904.1 Platform Options - View 2 (to SN 9308)



904.1 Platform Options - View 2 (to SN 9308)

Item	Part No.	Description	Qty.
--	107610	KIT,HALF SWING GATE*** <i>Complete</i>	
1	74009	MESH,HALF HEIGHT,4'.....	1
2	6090	SCREW,HHC,1/4-20 X .75	
3	6638	WASHER,FLAT,USS,1/4"Y	
4	56424	CLAMP,1.25X.5 RUBBER-CUSHION.....	6
5	6091	NUT,NYLOCK,1/4-20	
6	7265	RIVET,STEEL,P .25 X .375	
7	107609	WELDMENT,HALF SWING GATE....	1
--	43392	BUMPER,BATTERY BOX & RAILS.....	1
--	55753	BUMPER, PLASTIC, 1.25 O.D.....	4
--	9596	HINGE CASTING	
8	1487	GATE LATCH CASTING--DRILLED.....	1
9	63311	SNAP PIN.....	1
10	54457	MESH,HALF,SWING GATE***	1
11	1488	RAILING CATCH CASTING--DRILLED.....	1
12	74011	MESH,HALF HEIGHT LH Z20.....	1

904.2 Platform Options - View 2 (from SN 9309)

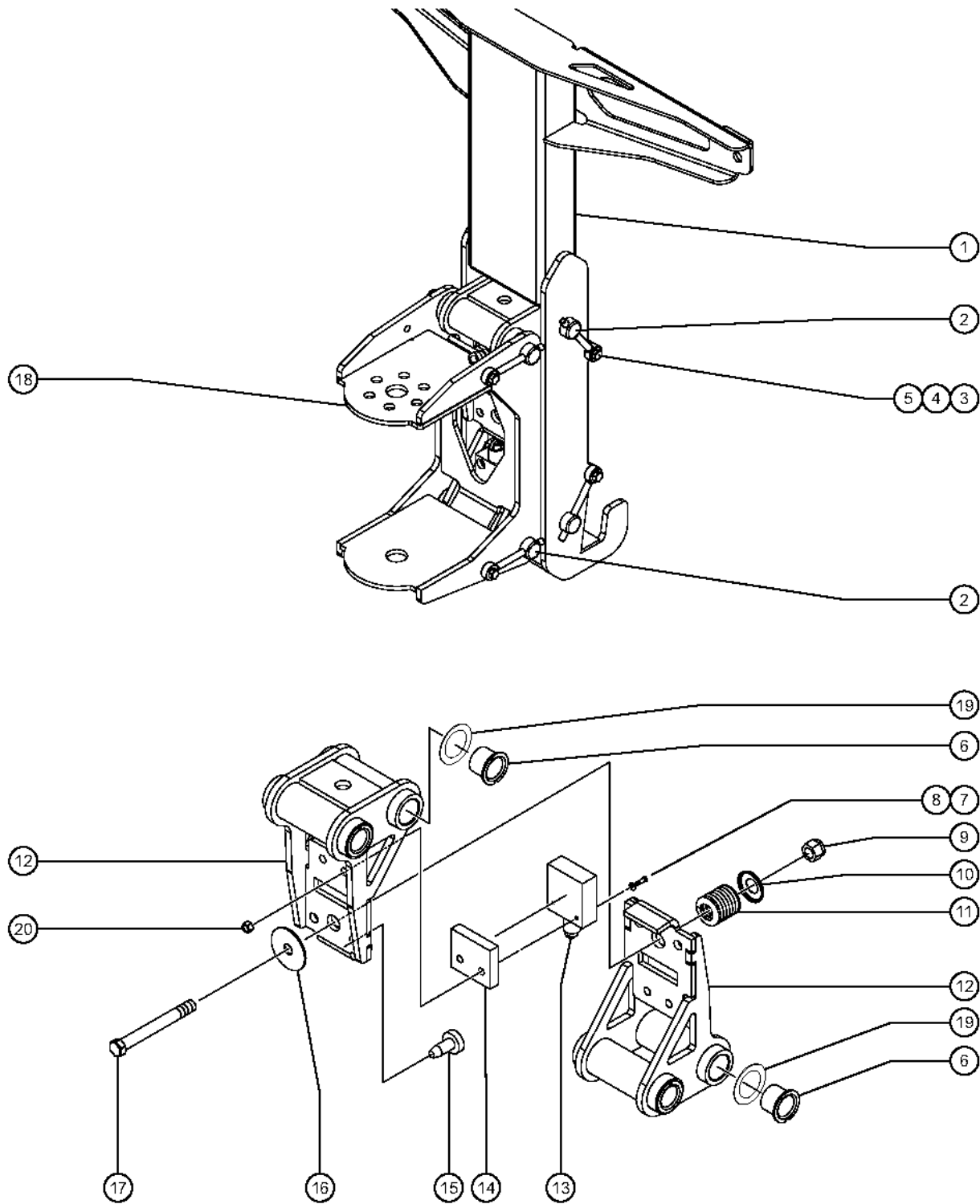


904.2 Platform Options - View 2 (from SN 9309)

Item	Part No.	Description	Qty.	Item	Part No.	Description	Qty.
--	101649	OPTION,CONTROL BOX COVER...1 <i>see illustration for components</i>		18	34619	BUMPER,RUBBER***.....6	
--	119129	HARN RETRO LVI/BCI ENGAGE II <i>Can only be used to upgrade machines which already have the LVI/BCI option installed from the factory; to SN 9346</i>		19	101676	CONTROL BOX COVER, RH.....1 <i>component of assembly 101649</i>	
--	119147	ACC.RETRO KIT LVI/BCI ENGAG II <i>Can only be used to upgrade machines which already have the LVI/BCI option installed from the factory; to SN 9346</i>		20	101677	CONTROL BOX COVER, LH.....1 <i>component of assembly 101649</i>	
--	44134	C.E. OPTION,Z30N,Z30NRJ		21	110651	LVI/BCI 36/48 VOLT ENGAGE II.....1	
--	94262	OPTION,CONTROL BOX COVER***.....1		--	110652	GASKET LVI/BCI ENGAGE II.....1	
1	8914	SCREW,HHC,1/4-20 X .625		--	110653	BRACKET ENGAGE II.....1	
2	6638	WASHER,FLAT,USS,1/4"Y		--	119133	HARN LVI/BCI ENGAGE II Z34DC	
3	56424	CLAMP,1.25X.5 RUBBER-CUSHION					
4	6091	NUT,NYLOCK,1/4-20					
5	74009	MESH,HALF HEIGHT,4'.....2					
--	74007	MESH,HALF HEIGHT,5'					
6	55753	BUMPER, PLASTIC, 1.25 O.D.....2					
7	54457	MESH,HALF,SWING GATE***1					
8	128368	KIT,SWING GATE W/SPRING.....1					
--	128374	WELDMENT,SWING GATE,ALUMINUM					
--	42104	SPRING,SHORT PLATFORM GATE					
--	43392	BUMPER,BATTERY BOX & RAILS					
8A	119950	KIT,FIELD INSTALL,SWING GATE <i>includes 128368, 33674, 1487 and 1488</i>					
9	7265	RIVET,STEEL,P .25 X .375					
10	33674	PIN,LOCK,SHORT***.....1					
11	1487	GATE LATCH CASTING--DRILLED.....1					
12	1488	RAILING CATCH CASTING--DRILLED.....1					
13	9599-S	TOOL TRAY ACCESSORY***1					
14	87085	RIVET,ALUM,P,.188 X .25					
15	77860	HINGE,CONTROL BOX.....1 <i>component of assembly 101649</i>					
16	101678	LID,CONTROL BOX COVER.....1 <i>component of assembly 101649</i>					
17	101679	LID,CONTROL BOX COVER.....1 <i>component of assembly 101649</i>					



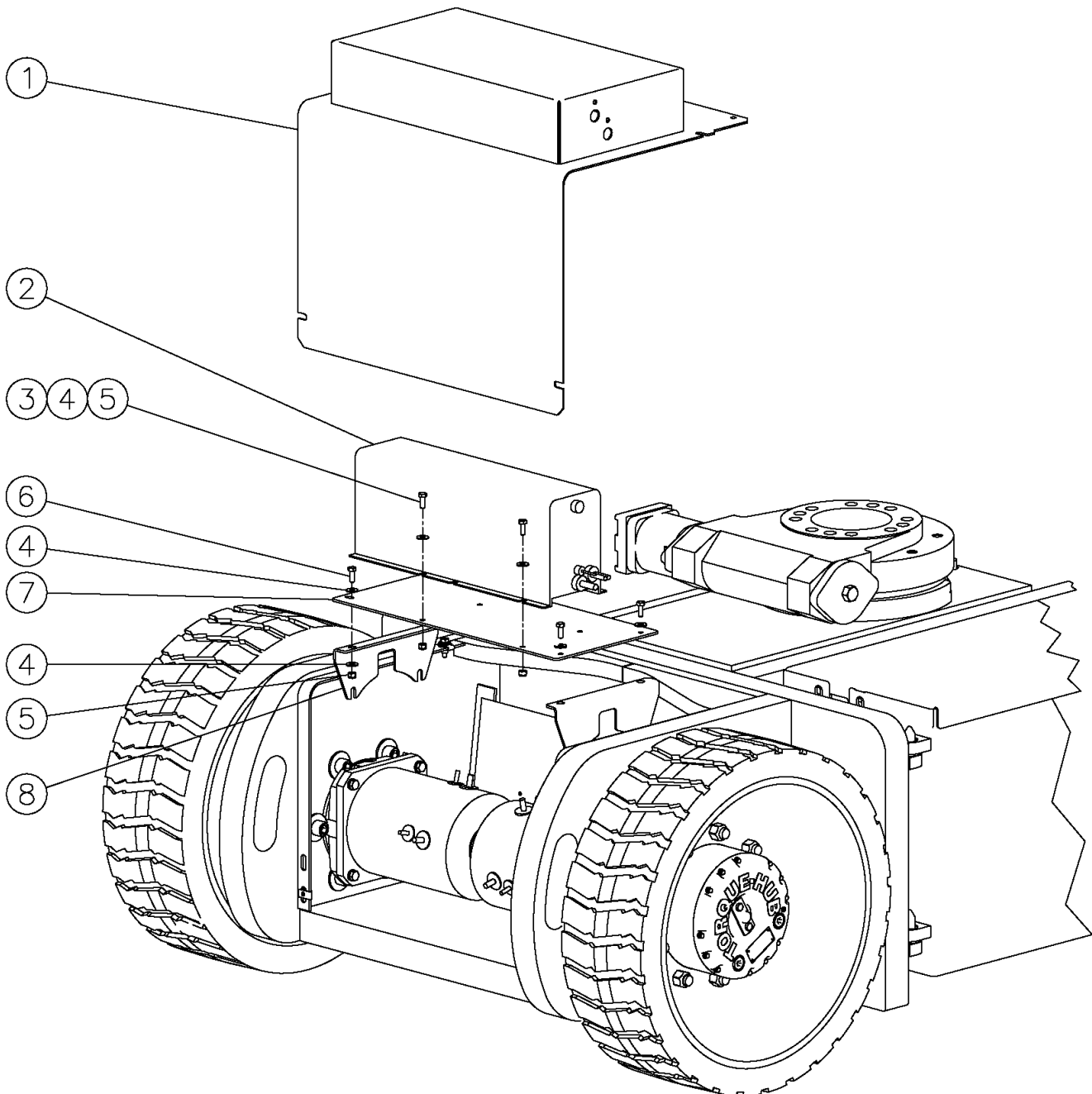
905.1 Platform Overload (from SN 6291)



905.1 Platform Overload (from SN 6291)

Item	Part No.	Description	Qty.
--	121848	ASSY,LS,LOAD SENSE,38.5 IN	
--	94395-S	OPTION,PLATFORM LOADSENSE	
1	94176	WELDMENT,PLATFORM SUPPORT.....	1
2	61726	PIN,0.75DIAX5.75LG,CHAMFER.....	4
3	6888	SCREW,HHC,1/4-20 X 1	
4	45748	ROD END,.250 X 2.75 LG.....	4
5	6091	NUT,NYLOCK,1/4-20	
6	25685	BEARING,GARLOCK,12FDU12.....	8
7	51063	SCREW,PHILLIPS,RHM,10-32 X 1.5	
8	6146	WASHER,FLAT,MS,#10,Y	
9	4828	NUT,NYLOCK,3/8-16	
10	61975	RETAINER,SPRING,1.21 X .375.....	1
11	61974	SPRING,COMP,1" OD,232 LB/IN.....	1
12	101512	LOAD SUPPORT WITH BEARINGS..... <i>includes item 6</i>	2
13	61973	SWITCH,ROLLER PLUNGER LIMIT.....	1
14	61972	MOUNT,SWITCH.....	1
15	34619	BUMPER,RUBBER***	1
16	6097	WASHER,FLAT,USS,3/8",Y	
17	21604	SCREW,HHC,3/8-16 X 3.25	
18	94170	WELDMENT,ROTATOR SUPPORT.....	1
19	110789	WASHER,SHIM .0151 THK.	
20	5365	NUT,NYLOCK,10-24	

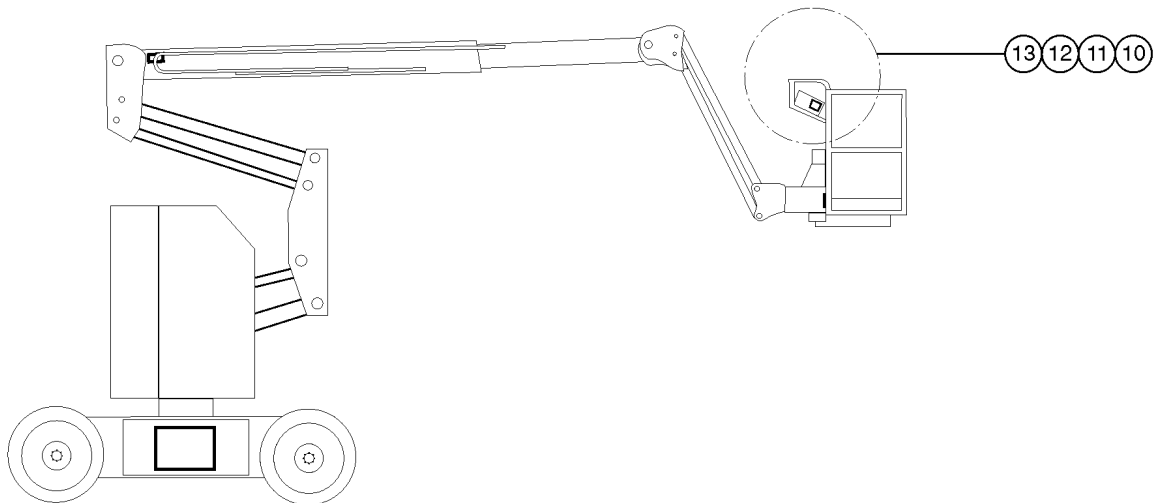
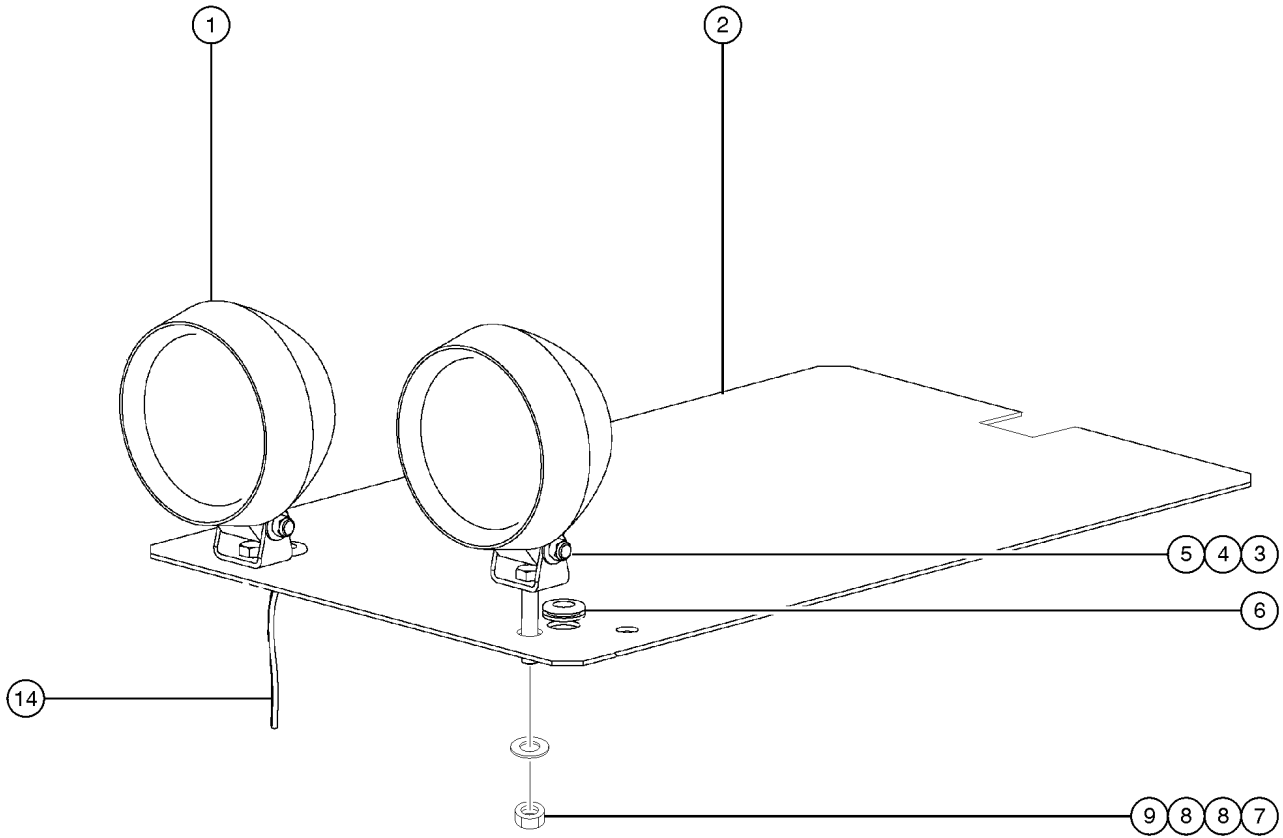
906.1 Inverter Option, 120V



906.1 Inverter Option, 120V

Item	Part No.	Description	Qty.
1	74868	WELDMENT,COVER DRIVE CHASSIS.....	1
2	150026	INVERTER,48VDC,120VAC/60HZ...	1
3	6090	SCREW,HHC,1/4-20 X .75.....	4
4	6638	WASHER,FLAT,USS,1/4"Y.....	12
5	6091	NUT,NYLOCK,1/4-20.....	8
6	6888	SCREW,HHC,1/4-20 X 1.....	4
7	74848	PLATE,INVERTER MOUNTING.....	1
8	74847	BRACKET,INVERTER MOUNT.....	2

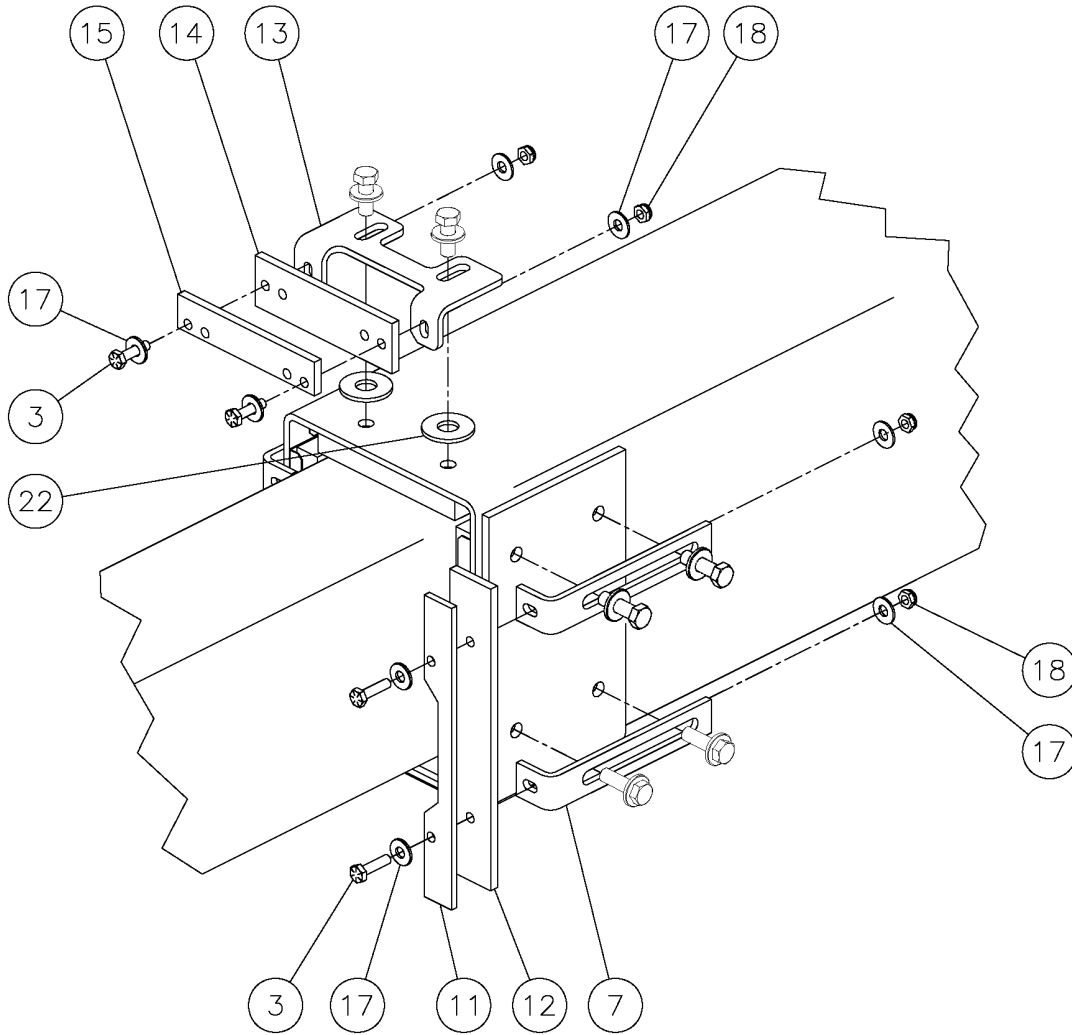
907.1 Drive Light Option



907.1 Drive Light Option

Item	Part No.	Description	Qty.
1	107858	WORKLIGHT,48 VOLT*** <i>includes items 3-5 and 7-9</i>	2
2	128819	COVER, DR LIGHT OPTION.....	1
3	10107	SCREW,HHC,5/16-18 X .75.....	2
4	5397	WASHER,FLAT,USS,5/16",Y.....	2
5	6782	NUT,NYLOCK,5/16-18.....	2
6	53517	GROMMET,RUBBER .5 X .014 X .75.....	2
7	6782	NUT,NYLOCK,5/16-18	
8	5397	WASHER,FLAT,USS,5/16",Y	
9	18506	5/16-18 X .75 LG.FLG.LCK.SCREW	
10	823226	POWER RELAY, 24V COIL.....	1
--	54365	SCREW,PHIL,PHM,10-32 X .5,SSTL	
--	6146	WASHER,FLAT,MS,#10,Y	
--	6178	NUT,NYLOCK,10-32	
11	72867	DECAL,LABEL,LIGHTS***1	1
12	128205	SWITCH TOGGLE ASSY DPDT 2P MNT.....	1
--	27246	BOOT,TOGGLE SWITCH,SHORT*	1
13	6578	CABLE TIE,7 3/8"	2
14A	128271	HARNESS, DRIVE LIGHTS, 48V..... <i>(to SN Z30N10-12120)</i>	1
14B	823948	HARNESS, DRIVE LIGHTS, 48V..... <i>(replaced 147496 from SN Z30N13-14940)</i>	1
--	107858	WORKLIGHT,48 VOLT***	2
--	23083-S	FUSE HOLDER,WATERPROOF.....	1
--	27489	FUSE,7 AMP.....	1
--	823226	POWER RELAY, 24V COIL.....	1

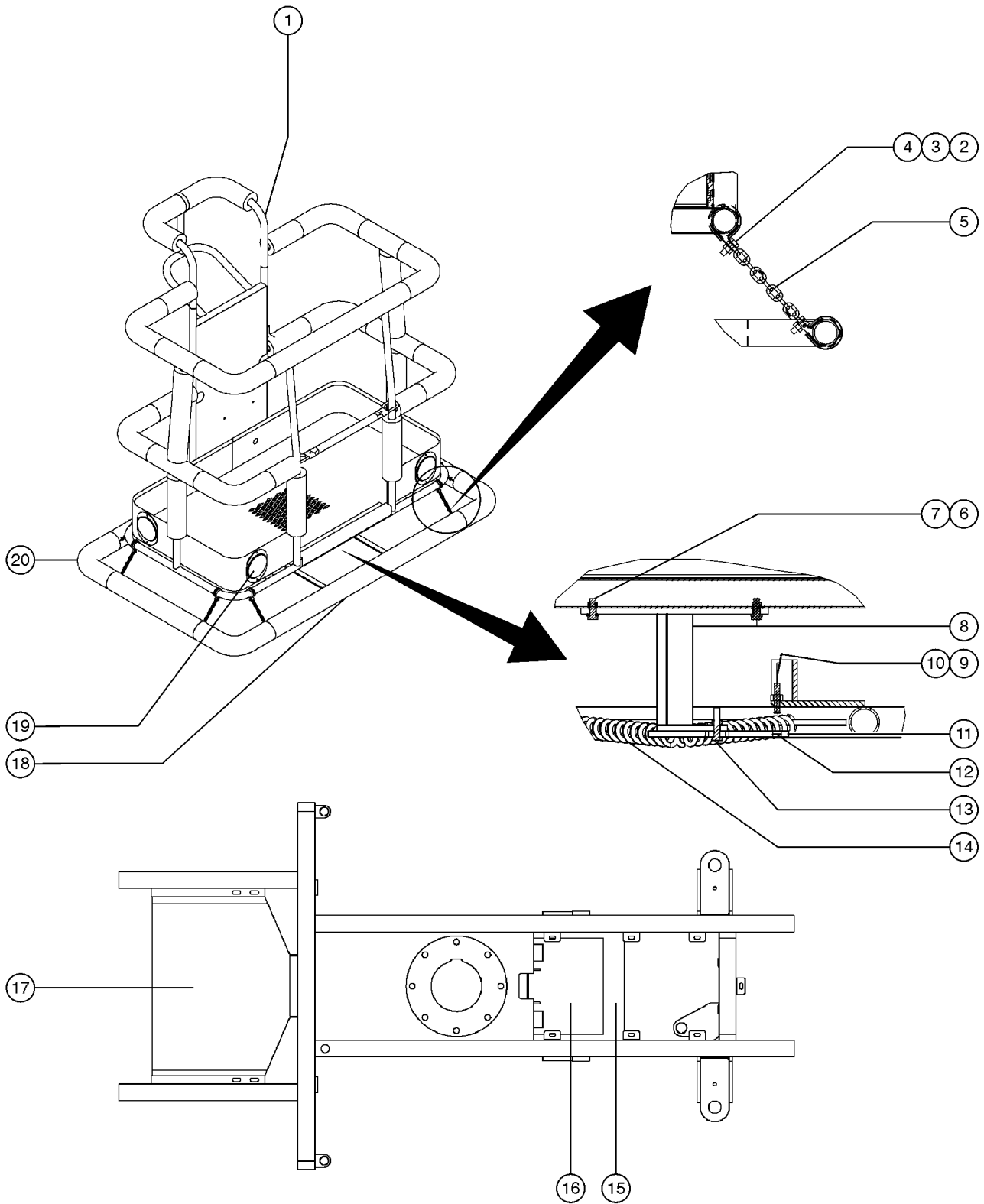
908.1 Hostile Environment Package (to SN 12119)



908.1 Hostile Environment Package (to SN 12119)

Item	Part No.	Description	Qty.
1	101649	OPTION,CONTROL BOX COVER...1 <i>see 904.2 Platform Options for illustration</i>	
2	128329	SCREW,HHC,1/4-20 X 1, GR8.....4 <i>Not shown</i>	
3	128330	SCREW,HHC,1/4-20 X 1, GR8.....6	
4	30489	CLAMP,HOSE,3.50.....5 <i>Not shown</i>	
5	30577	COVER,PROTECTIVE,MASTER/SLAVE.1 <i>Not shown</i>	
6	30971	CLAMP,HOSE,3.00".....1 <i>Not Shown</i>	
7	34510	BRACKET,ADJ.WIPER MOUNT....4	
8	35434	CLAMP,HOSE,2.00***6 <i>Not shown</i>	
9	5365	NUT,NYLOCK,10-24.....2 <i>Not Shown</i>	
10	54989	BELLOWS,STEERING CYLINDER.....1 <i>Not shown</i>	
11	56667	PLATE,WIPER SIDE.....2	
12	56668	RUBBER,WIPER,SIDE.....2	
13	139763	BRACKET,WIPER TOP.....1	
14	56671	3106170WIPER, TOP.....1	
15	56672	PLATE,WIPER TOP.....1	
16	56742	WEAR PAD,HEK.....1 <i>Not Shown</i>	
17	6638	WASHER,FLAT,USS,1/4"Y.....10	
18	6889	NUT,LP NYLOCK,1/4-20.....10	
19	94461	BELLOWS,PRIMARY/ELEV CYLINDER.....2 <i>Not shown</i>	
20	94462	BELLOWS,JIB CYLINDER.....1 <i>Not shown</i>	
21	94463	BELLOWS,MASTER CYLINDER....1 <i>Not shown</i>	
22	6097	WASHER,FLAT,USS,3/8",Y.....2	

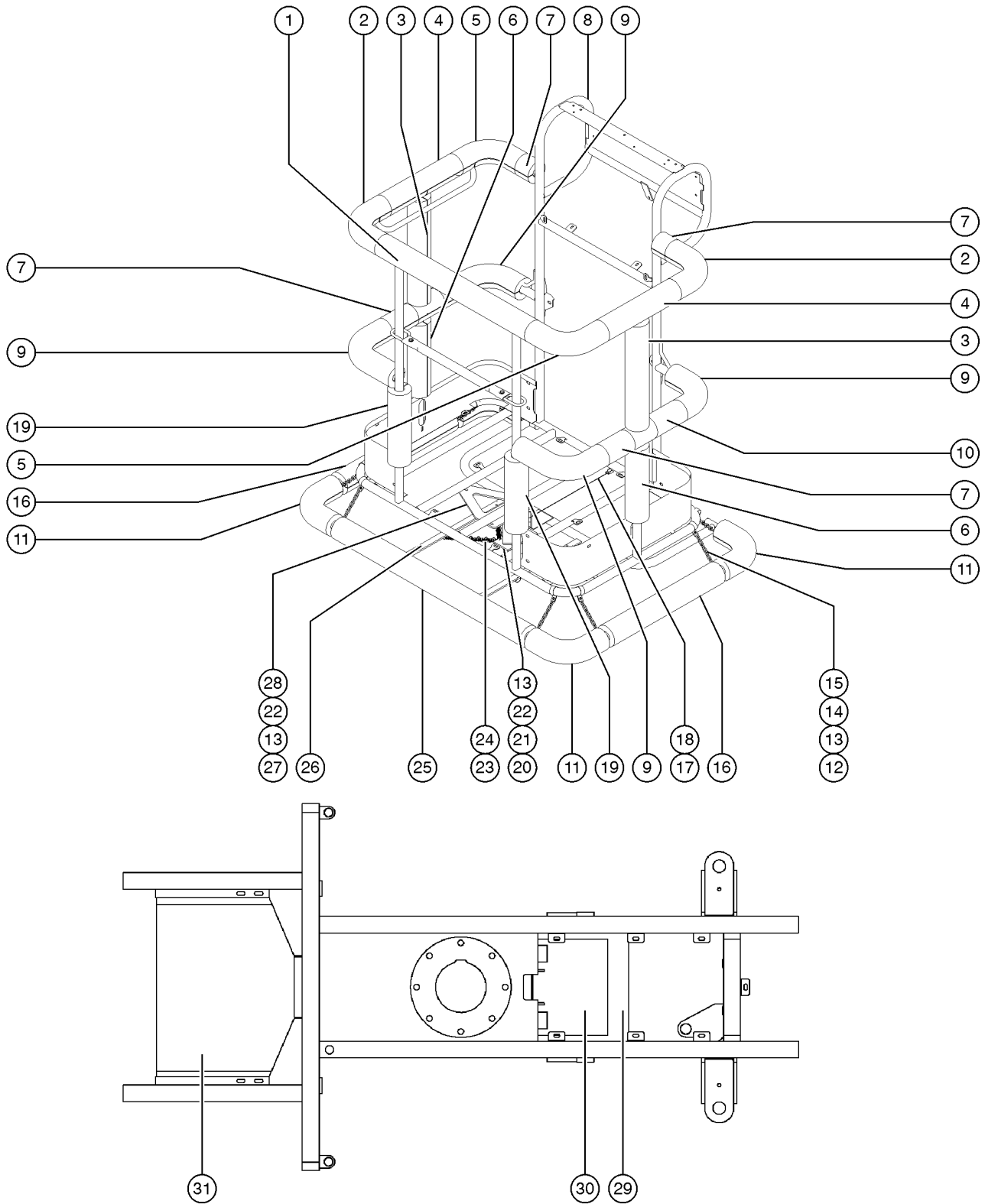
909.1 Aircraft Protection (to SN 10885)



909.1 Aircraft Protection (to SN 10885)

Item	Part No.	Description	Qty.
1	Ref.	PLAT RAIL ASSY <i>(refer to 601.1)</i>	
2	42377	SCREW,SHS,1/4-20 X .75,ZINCPLT	
3	56424	CLAMP,1.25X.5 RUBBER-CUSHION.....	16
4	6091	NUT,NYLOCK,1/4-20	
5	56426	CHAIN,NO.2.....	8
6	6356	WASHER,LOCK,.25	
7	23404	NUTSERT,1/4-20,STEEL CAD PLTD	
8	56328	WELDMENT,SENSOR BRACKET...1	
9	81532	HARNES,PROX.KILL..... <i>includes 27391 proximity sensor</i>	1
--	27391	PROXIMITY SENSOR***	
10	22571	NUT,HEX,M8 X 1.25	
11	56330	PLATE,MAGNET MOUNT.....	1
12	29261	MAGNET,NEODYMIUM,.375 X .100.....	2
13	8915	SCREW,HHC,1/4-20 X 1.25	
14	56425	SPRING,EXTENSION,.75X4.5	
15	56452	PLATE,COUNTERWEIGHT.....	1
16	56451	PLATE,COUNTERWEIGHT.....	1
17	74734	PLATE,COUNTERWEIGHT.....	1
18	56417	BUMPER,3.50 DIA.STRAIGHT.....	5
19	56427	REFLECTORS,3"DIA,AMBER.....	6
20	56418	BUMPER,90 DEG ELBOW.....	14

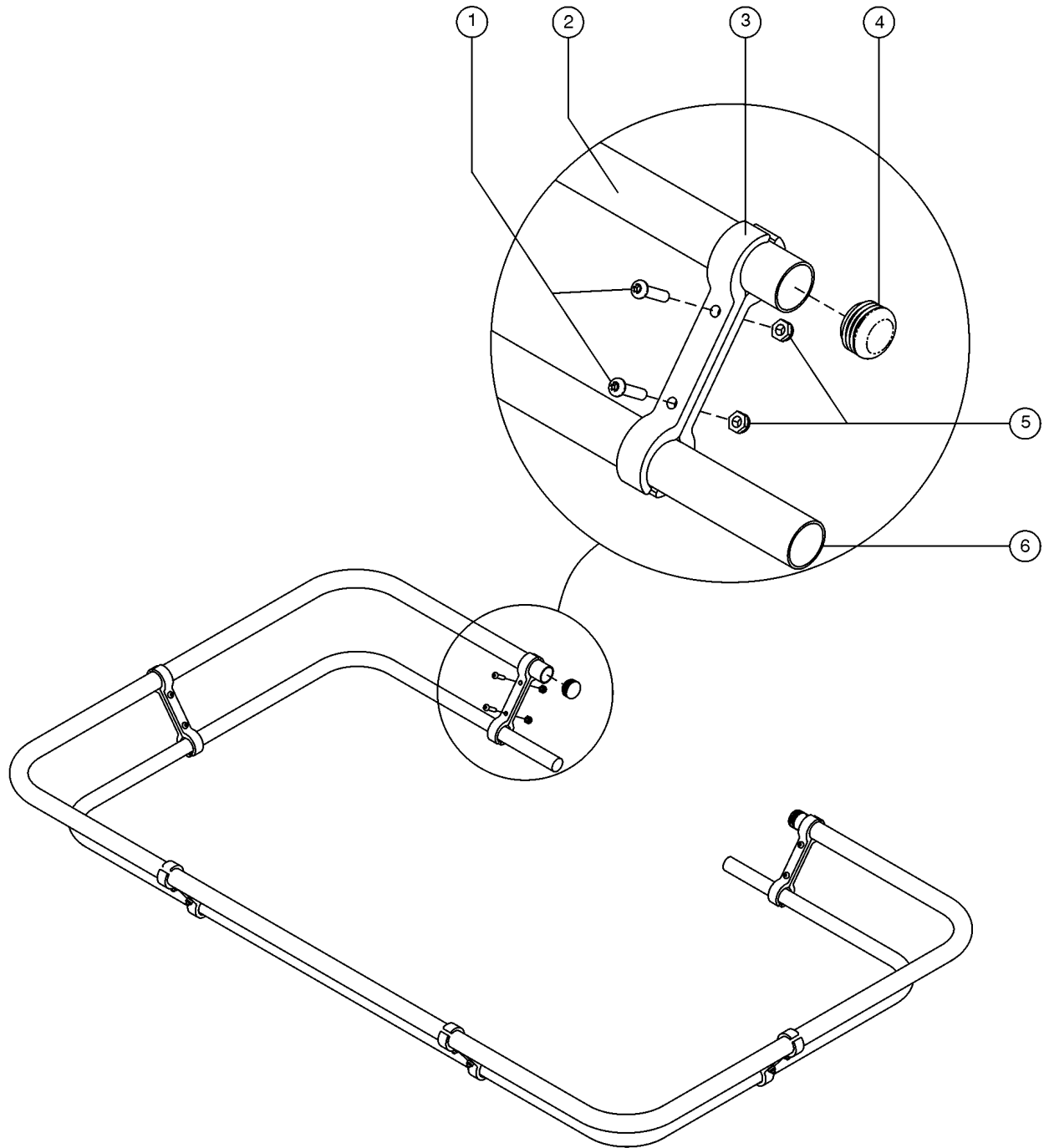
909.2 Aircraft Protection (from SN 10886)



909.2 Aircraft Protection (from SN 10886)

Item	Part No.	Description	Qty.	Item	Part No.	Description	Qty.
1	1251590	BUMPER,3.5OD X 1.5ID X 30.75....1 <i>replaced 147003</i>		30	128722	PLATE, PROFILED COUNTERWEIGHT.....1	1
2	147000	PADDING, FOAM 90 DEG.....2		31	74734	PLATE,COUNTERWEIGHT.....1	1
3	825213	BUMPER,3.5OD X 1.5ID X 15.65....2 <i>replaced 56417-1850</i>					
4	825207	BUMPER,3.5OD X 1.5ID X 14.75....2					
5	147001	PADDING, FOAM 90 DEG.....2					
6	825212	BUMPER,3.5OD X 1.5ID X 12.75....2 <i>replaced 56417-1275</i>					
7	1251592	BUMPER,3.5OD X 1.5ID X 2.75....2 <i>replaced 147003</i>					
8	-	Ref. PLATFORM RAIL ASSY <i>refer to 601.1</i>					
9	1252013	BUMPER,3.5OD X 1.5 ID 90 DEG...4					
10	1252012	BUMPER,3.5OD X 1.5 ID X 6.75....2 <i>replaced 147003</i>					
11	56418	BUMPER,90 DEG ELBOW.....4					
12	56426-576	CHAIN,NO.2 (9LINKS).....8					
13	6090	SCREW,HHC,1/4-20 X .75					
14	6091	NUT,NYLOCK,1/4-20					
15	56424	CLAMP,1.25X.5 RUBBER-CUSHION.....16					
16	825214	BUMPER,3.5OD X 1.5ID X 22.70....2 <i>replaced 56417-2270</i>					
17	139643	HARNES, PROX. KILL.....1 <i>(includes PN 27391 for Proximity Sensor)</i>					
18	88390	NUT,HEX,M8,PLASTIC					
19	1252011	BUMPER,3.5OD X 1.5 ID X 9.75....2 <i>replaced 56417-1275</i>					
20	56330	PLATE,MAGNET MOUNT.....1					
21	8915	SCREW,HHC,1/4-20 X 1.25					
22	6638	WASHER,FLAT,USS,1/4"Y					
23	56425	SPRING,EXTENSION,.75X4.5.....4					
24	88385	SPRING, SS, 1/2-EO500-49-4500...4					
25	1251591	BUMPER,3.5OD X 1.5ID X 38.75....1 <i>replaced 147007</i>					
26	56324	WELDMENT,FLOATING BUMPER.....1					
27	56328	WELDMENT,SENSOR BRACKET...1					
28	23404	NUTSERT,1/4-20,STEEL CAD PLTD					
29	128723	PLATE, PROFILED COUNTERWEIGHT.....1					

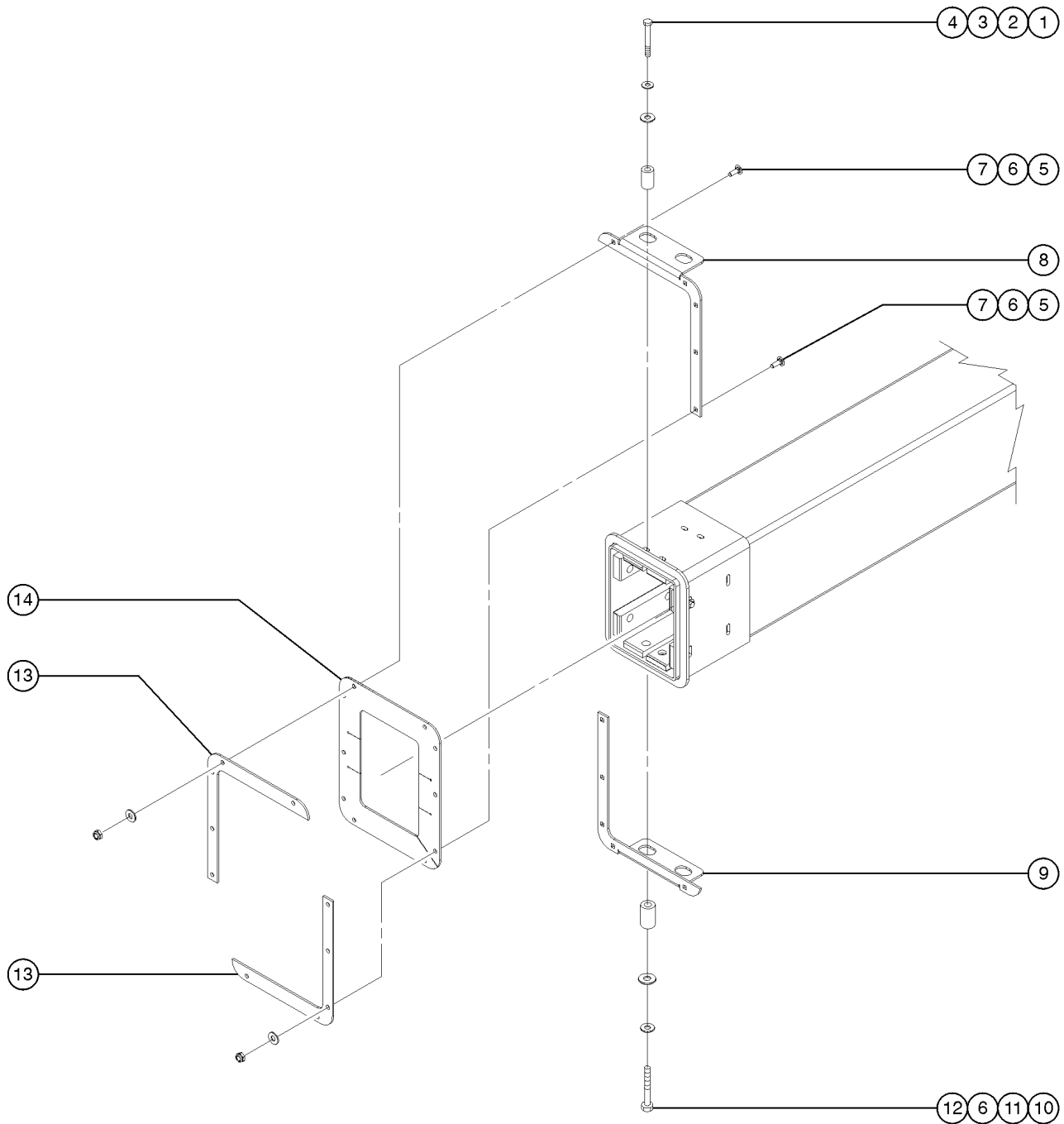
910.1 Auxiliary Rail Assembly



910.1 Auxiliary Rail Assembly

Item	Part No.	Description	Qty.
--	T112779	KIT, AUX. RAIL, 4' PLATFORM	
1	122231	SCREW,BHSC,1/4-20 X 1	
2	T112577	TUBE, AUX. RAIL, 4' PLATFORM....1	
3	122073	SUPPORT, RAILING.....12	
4	55753	BUMPER, PLASTIC, 1.25 O.D.....2	
5	6889	NUT,LP NYLOCK,1/4-20	
6		Ref. PLAT RAIL ASSY (refer to 601.1)	

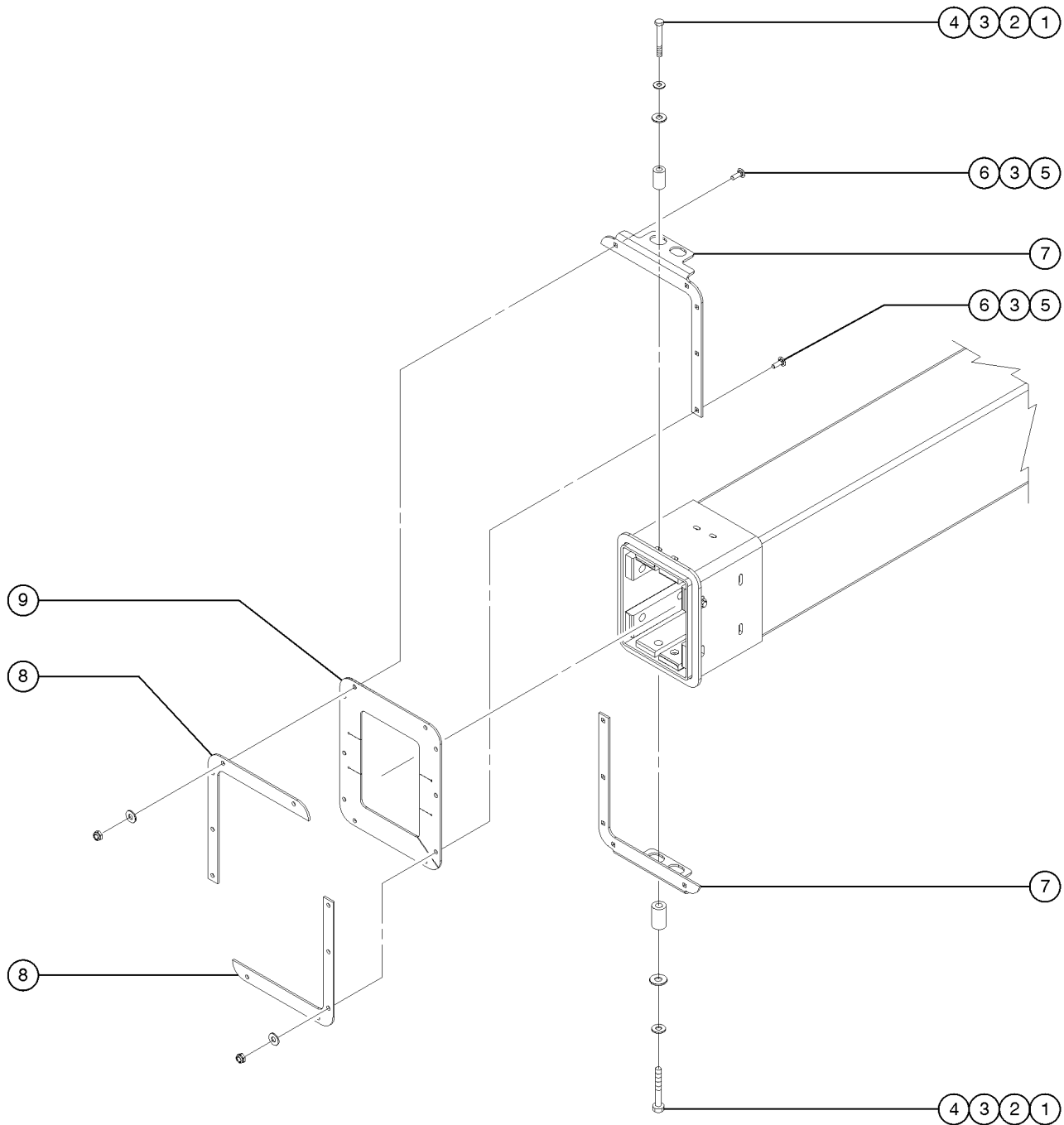
911.1 Hostile Environment, Primary Boom Wipers, Z-30N (from SN 12120)



911.1 Hostile Environment, Primary Boom Wipers, Z-30N (from SN 12120)

Item	Part No.	Description	Qty.
--	128677	KIT, WIPER.....	1
1	8178	SCREW,HHC,3/8-16 X 2.5.....	2
2	6021	WASHER,LOCK,.375.....	2
3	6097	WASHER,FLAT,USS,3/8",Y.....	2
4	128852	TUBE,RD,STL,DOM,.75X.438X1.25.2	
5	6878	BOLT,CARRIAGE,1/4-20 X .75,G2.....	10
6	6638	WASHER,FLAT,USS,1/4"Y.....	12
7	6889	NUT,LP NYLOCK,1/4-20.....	10
8	128681	FORMING, WIPER MOUNT.....	1
9	128682	FORMING, WIPER MOUNT.....	1
10	8179	SCREW,HHC,1/4-20 X 2.25.....	2
11	6356	WASHER,LOCK,.25.....	2
12	119077	TUBE,RD,STL,DOM,.75OD X .375ID.....	2
13	128973	PLATE,WIPER BACKING.....	2
14	147181	WIPER,PRIMARY BOOM.....	1

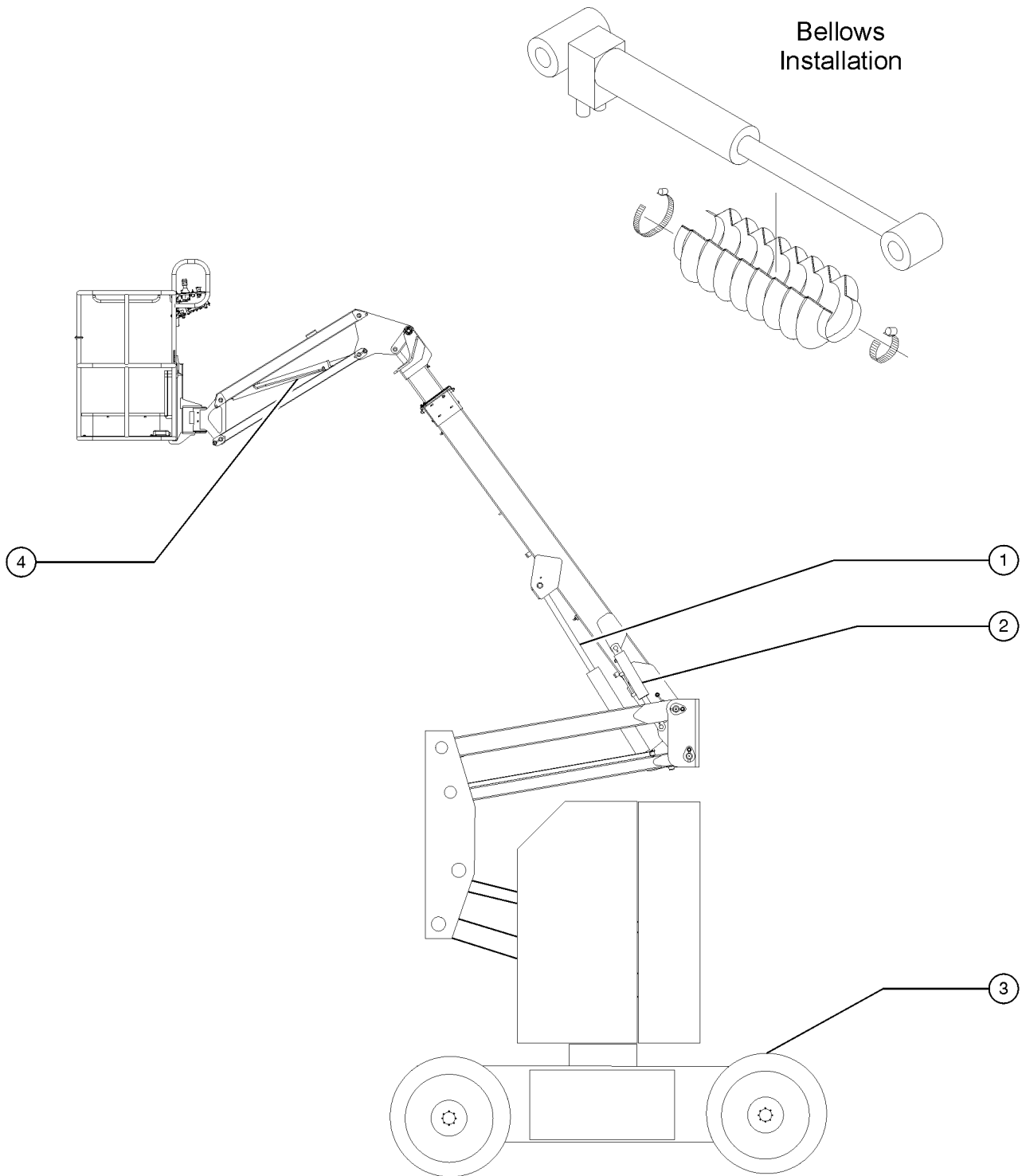
912.1 Hostile Environment, Primary Boom Wipers, Z-30N RJ (from SN 12120)



912.1 Hostile Environment, Primary Boom Wipers, Z-30N RJ (from SN 12120)

Item	Part No.	Description	Qty.
--	147344	KIT, WIPER, Z-40/23N.....	1
1	8179	SCREW,HHC,1/4-20 X 2.25.....	4
2	6356	WASHER,LOCK,.25.....	4
3	6638	WASHER,FLAT,USS,1/4"Y.....	14
4	119077	TUBE,RD,STL,DOM,.75OD X .375ID.....	4
5	6878	BOLT,CARRIAGE,1/4-20 X .75,G2.....	10
6	6889	NUT,LP NYLOCK,1/4-20.....	10
7	128972	FORMING,WIPER MOUNT.....	2
8	128973	PLATE,WIPER BACKING.....	2
9	128971	WIPER,PRIMARY BOOM.....	1

913.1 Hostile Environment, Cylinder Bellows (from SN 12120)



913.1 Hostile Environment, Cylinder Bellows (from SN 12120)

Item	Part No.	Description	Qty.
--	128838	KIT, CYLINDER BELLOWS	
1	94461	BELLOWS,PRIMARY/ELEV CYLINDER.....	2
2	94463	BELLOWS,MASTER CYLINDER.....	1
3	54989	BELLOWS,STEERING CYLINDER..... <i>(not shown)</i>	1
4	94462	BELLOWS,JIB CYLINDER.....	1
5	30577	COVER,PROTECTIVE,MASTER/SLAVE. <i>(not shown)</i>	1
6	30489	CLAMP,HOSE,3.50.....	5
7	30971	CLAMP,HOSE,3.00"..... <i>(not shown)</i>	1
8	35434	CLAMP,HOSE,2.00*** <i>(not shown)</i>	6

Part Number Index

The Part Number Index is a numeric index of all part numbers included in this manual. The index shows what page(s) the part is used on.

Part Number	Page	Part Number	Page	Part Number	Page	Part Number	Page
-	173	110626	57-58, 61	128618	51-52	139318	29
10107	167	110637	51-52	128619	51-52	139351	35-38
101349	77, 101	110644	75	128620	51-52	139352	35-38
101429	93	110649	117	128621	51-52	139353	35-38
101512	163	110651	157, 161	128622	51-52	139354	35-38
101557	83, 95	110652	157, 161	128632	77, 101	139355	35-38
101649	157, 161, 169	110653	161	128634	77, 101	139360	27
101676	161	110789	163	128648	27	139362	157
101677	161	110947	65-66	128667	108	139363	157
101678	161	114117	15, 18	128668	108	139364	157
101679	161	114224	18	128669	108	139365	157
101703	27	114319	35-38	128674	65-66	139376	51-52
101718	33	114397	18	128675	65-66	139462	137
101719	33	119077	177, 179	128677	177	139463	137
101965	63	119111	51-52	128681	177	139537	85, 105
101967	71, 73	119129	157, 161	128682	177	139540	85, 105
101968	71, 73	119133	157, 161	128722	173	139541	85, 105
101969	71, 73	119147	157, 161	128723	173	139542	85, 105
101970	71, 73	119403	71, 73	128728	69	139560	137
101980	107-108	119404	71, 73	128732	36-38	139561	137
101981	108	119556	35-38	128808	69	139563	137
101982	108	119618	61	128809	69, 145	139564	137
101983	108	119762	51-52	128810	65-66	139565	137
101984	108	119787	49	128811	69, 145	139584	75
101985	107-108	119917	51-52	128818	69	139585	75
101986	107-108	119950	161	128819	167	139586	15, 18, 21
101987	107-108	12037	27, 107-108	128825	29	139643	173
101988	107-108	121848	163	128837	97-98	139655	88, 97-98
101989	115	122019	151, 153	128838	181	139763	169
10262	83, 95	122073	175	128852	177	139840	83
102992	107-108	122231	175	128899	51-52	139841	95
105352	35-38	122366	63	128971	179	139858	27, 29
10597	87-88, 97-98	122512	63	128972	179	139866	51-52
106025	33	122513	113, 119, 121	128973	177, 179	139867	52
106038	25	122514	63, 113, 119, 121	128975	75	139871	145
106039	36-38	12344	117	128993	27	139872	145
106082	81, 95	12443	108	12906	65-66, 69, 71, 73	139877	145
106086	77, 101	1251590	173	12960	111, 115	14033	65-66, 69
106087	51-52	1251591	173	13002	31, 33, 41, 43	14041	111, 115
106121	37-38	1251592	173	13008-3	27	14392	153
106122	37-38	1251757	43	13008-5	27	144161	29, 71, 73
106123	37-38	1252011	173	13008-6	27	146478	121
106241	33	1252012	173	13037-S	63, 113, 119	147000	173
106422	87-88	1252013	173	13064	51-52	147001	173
106423	97-98	125957	61	13066	97-98	147077	97-98
106427	51-52, 77, 101	1262218	57-58, 61	13097	157	147079	83, 95
106428	77, 101	128039	101	13268	117	147093	55, 57-58, 61, 63
106429	77, 101	128040	101	133286	18, 27, 29	147139	83
106433	81, 95	128045	71, 73	13471	63, 113	147143	83
106434	77, 101	128118	29	13480-S	63, 113	147146	88
106445	37-38	128138	31	13482	107-108	147147	87-88
106508	37-38	128200	121	13511	63	147181	177
10665	88, 98	128202	121	13585	107-108, 111	147251	75
106959	51-52	128203	121	13775	38, 155	147253	117
106960	51-52	128205	167	139008	51-52	147344	179
107609	159	128271	167	139010	49	147369	87-88, 97-98
107610	159	128329	169	139011	49	147370	97-98
10775	107-108, 111	128330	169	139012	49	147389	117
107858	157, 167	128334	43	139013	49	147487	83
110197	133-134	128368	161	139014	49	147637	95
110199	133-134	128374	161	139015	49	1487	159, 161
110200	133-134	128375	27, 29	139016	49	1488	159, 161
110232	75	128376	29	139017	49	150026	165
110234	75	128377	29	139018	49	15086	65-66, 69, 151
110235	75, 117	128443	133-134	139019	49	15243	117
110239	75, 117	128444	133-134	139020	49	161940	33
110243	75, 117	128453	51-52	139021	49	161941	33
110244	75	128458	49	139022	49	16397-S	63, 113, 119
110245	75	128459	49	139073	149	16486	95
110246	75	128465	49	139074	149	17626	41, 107-108
110249	75	128466	49	139075	149	18078	27
110251	75	128550	87-88	139076	147, 149	18396	79, 103
110255	75	128551	43	139077	149	18503	31, 33, 41, 43
110256	75	128565	51-52	13918	95	18504	55, 57-58, 61
110382	57-58, 61	128615	29	13930	63		

Part Number Index (continued)

Part Number	Page	Part Number	Page	Part Number	Page	Part Number	Page
18506	41, 65-66, 69, 157, 167	233745	87-88, 97-98	30489	169, 181	36269	27
18920	129	23404	41, 43, 55, 58, 61, 63, 111, 115, 117, 171, 173	30577	169, 181	36279	88
18963	71, 73			30807P-S	107-108	36281	83
19018	55, 57-58, 61, 157	23405	41, 43, 55	30971	169, 181	36294	27
19268	63	23417	41	30996	115	36313	27
19440	23, 25	234923	125	30997	111, 115, 117	36326	51-52
19470	134	236665	43	31060	11-12, 15, 17-18	36355	41, 43
19491	51-52, 77, 81, 83, 95, 101	237145	157	31099	137	36366	77, 101
19506	63	237503	75	31106	77, 87-88, 101	36369	31, 33
19520	45, 49	237527	75	31194	51-52, 141, 143, 145	36373	113
19533	27	23844	43	31498	87-88	36378	55
19712	123, 125	23845	41, 43	31508	11-12, 15, 17-18	36385	55
19722	123, 125	24514	107-108	31527	131, 133-134	36388	55, 57-58, 61, 71, 73
19731	123, 125	25068	52	31528	131	36389	79, 103
19789	133-134	25284	23, 79, 103	31785	11-12, 15, 17-18	36390	79, 103
19815	41	25388	29, 71, 73	31786	11-12, 15	36391	71, 73
19816	41	25683	79, 87-88, 103	31787	11-12, 15, 17-18	36392	71, 73
20189	153	25685	163	31788	11-12, 15, 17-18	36413	83
20193	36-38	25817	23, 25	32224	51-52	36414	71, 73
20224	131, 134	25836	55, 57-58	32358	157	36415	71, 73
20262	107-108	25837	55	32399	23, 25	36424	31, 33
20973-2600	108	25974	55, 57-58	32669	137	36443	35-38
20973-8000	108	27126	31	32697	43	36456	41, 43, 65-66, 69
21121	108	27246	63, 113, 119, 167	32700	11-12, 15	36457	71, 73
21142	36-38	27262	27	32710	107-108	36459	51-52
21143	36-38	27263	27	32728	17-18	36511	29
21144	36-38	27275	51-52	33265	87-88, 97-98	36561-S	88, 97-98
21145	36-38	27372	51-52	33278	88, 98	36570	71, 73
21146	36-38	27391	171	33428	81	36574	71, 73
21148	36-38	27419	41	33608	55	36575	71, 73
21149	36-38	27489	167	33629	107-108	36576	31
21166	23, 25	27497	77, 79, 85, 88, 91, 93, 95, 97-98, 101, 103, 105	33674	161	36577	31
21253	31	27532	131	33759	107-108	36579	31, 33
21427	123, 125	27564	11-12, 15, 17-18	33952	11-12, 15	36600	111
21434	123, 125	27830	27	33994	129, 131, 133-134	36612	38
21604	77, 101, 163	27894	155	34053	57-58	36620	77, 101
21618	155	27895	155	34125	83	36648	83, 95
216788	57-58, 61	27900	155	34245	79, 97-98, 103	36658	35-38
216791	57-58, 61	27902	155	34510	169	36659	131
216793	61	27903	155	34619	161, 163	36673	29
217046	57-58, 61	27904	155	35003	111	36874	79, 103
217371	75	28157	11-12	35088	88	36875	31
21858	115	28161	11-12, 15, 17-18	35434	169, 181	36998	65-66
22262	41, 43	28164	11-12, 15, 17-18	35496	38	37051	11-12, 15
22263	41, 43	28165	11-12, 15, 17-18	35540	11-12, 15	37052	11-12, 15, 17-18
22264	41, 43	28171	11-12, 15, 17-18	35542	11-12, 15, 17-18	37053	11-12, 15, 17-18, 21
22265	41, 43	28174	11-12, 15, 17-18, 21	35587	35-38	37054	11-12, 15, 17-18, 21
22359	81, 83, 95			35675	83, 95, 97-98	37055	11-12, 15, 17-18, 21
22542	43			35678	127		
22571	171	28175	11-12, 15, 17-18	35679	127	37056	11-12, 15, 17-18, 21
226148	65-66	28176	11-12, 15, 17-18	35680	127		
226393	151, 153	28177	11-12, 15, 17-18	35934	111, 115	37075	129
226540	97-98	28181	11-12, 15, 17-18	36054-S	87-88, 97-98	37079	131
226542	97-98	28235	11-12, 15, 17-18, 21	36062	87-88	37080	131
22700	65-66, 69			36086	66, 69	37097	36-38
227213	18	28236	11-12, 15, 17-18	36163-S	23, 25	37100	23, 25
227531	18	28298	57-58, 61	36179	65-66, 69	37101	31
227620	107-108	28372	11-12, 15, 17-18	36189	88	37103	31
22811	38	28750	129, 131, 133-134	36190	88, 97-98	37104	31
228469	107-108			36192	83, 95	37105	71
228470	107-108	29032	129, 131, 133-134	36194	79, 81, 103	37106	71
228946	29			36198	81	37107	31
228947	29	29080	83	36199	88, 97-98	37108	31
228973	29	29261	171	36202	79, 103	37125	77, 101
229074	137	29605	66, 69, 88, 97-98	36205	79, 103	37126	77
229567	121	29737	131	36211	23, 25	37127	77
230645	153	29764	38	36212	31, 33	37128	87-88
23083-S	157, 167	29764	38	36235	111, 115, 117	37129	63
231204	107-108	29868	31, 33, 77, 101	36245	79, 103	37184	66, 69
231931	153	30217	88	36246	79, 103	37185	66, 69
232486	37-38	30222	87-88, 97-98	36249-S	87-88	37186	66, 69
23314	41	30255	79, 87-88, 97-98, 103	36257	71, 73	37187	66, 69
233717	87-88, 97-98	30348	65-66	36260	36-38	37188	35-38
				36268P	41	37189	35-38

Part Number Index (continued)

Part Number	Page	Part Number	Page	Part Number	Page	Part Number	Page
37190	35-38, 65-66, 69	42815	141	45544	129, 133-134	52599	133-134, 137
37191	66, 69	42816	141	45745	83	52601	133-134
37192	66, 69	42817	147, 149	45748	163	52603	133-134
37947	63	42818	147	45782	63	52604	133-134
38110	11-12	42821	141	45840	113, 119, 121	52620	81, 88
38111	11-12	42822	141, 143	45873	23, 25	52625	81
38112	11-12	42824-S	147	45912	129	52715	133-134
38113	35-38	42856	141	45921	133-134	52718	131
38114	35-38	42920	65-66, 141, 143	46192	11-12	52833	35-38
38115	35-38	42922	65-66	46227	123, 125	52885	129, 133-134
38682	153	42928	141, 143	46468	17-18	52887	123, 125
38859	66, 69	42929	65-66, 88	46993	108, 111, 113	52895	123, 125
39223	69	42939	88, 97-98	47377	81, 88	52898	35-38
39345	88	42939-18700	77	48213	149	52899	35-38
39640	57-58, 61	42939-5400	101	4828	29, 33, 51-52,	52900	35-38
40169	36-38	43036	11-12		55, 65-66, 69,	52913	65-66, 69
40398	27	43038	123, 125		77, 79, 87-88,	52914	65-66, 69
40410	131, 133-134	43040	123, 125		97-98, 101, 103,	52915	65-66, 69
40412	131	43042	123, 125		107-108, 157,	52928	123, 125
40413	129, 131, 133-134, 137	43045	123		163	52943	129, 131, 133-134, 137
40424	129	43166	88	48401	23, 25		
40434	11-12, 15, 17-18, 21	43179	41, 43	48402	81	52947	17-18
40446	77, 101	43392	159, 161	48405	87-88	52968	11-12, 15, 17-18, 21
40447	81	43599	133-134	48406	95		
40523	27	43652	11-12	48504	65-66, 69	53517	167
40524	27	43653	11-12, 15	48731	17-18	53534	65-66
40532	27	43658	11-12, 15, 21	48732	17-18	5365	163, 169
40533	27	43663	11-12	48875	145	5397	23, 25, 41, 43, 51-52, 77, 79, 87-88, 95, 101, 103, 107-108, 157, 167
40534	27	43937	81	48880	131, 134		
40536	27	43955	111, 115	48890	147, 149	54255	117
40537	27	43956	71, 73, 75, 107-108, 111	48900	141, 143, 145	54259	117
40538	27	43960	51-52	48904	139, 147	54365	71, 73, 117, 167
40609	153	43961	111	48905	137, 143, 145, 147, 149	54457	159, 161
41921	35-38	44133	77, 101	48906	139	54530	95
42019	69	44134	161	48911	139, 143, 145	54627	23, 25, 38
42032	123	44248	17-18	48912	139, 141, 143, 145, 147, 149	54692	63, 119
42032H	123	44586	55, 57-58	48915	137, 139, 141, 143, 145	54794	27
42078	66, 69	44743	107-108	48916	141, 143, 145, 147, 149	54795	27
42104	161	44777	65-66, 69			54796	27
42363	51-52	44788	69	48926	147	54797	27
42377	171	44954	131, 137	48927	147, 149	54817P-S	107-108
42413	77, 101	44956	129, 133-134	48929	147, 149	54989	169, 181
42422	137	44980	11-12, 15, 17-18, 21	48930	141	55753	159, 161, 175
42439	55, 57-58, 61	44981	11-12, 15, 17-18, 21, 155	48931	141, 143, 145	55921	65-66, 69
42502	83			48932	145	56003	141
42587	115	44986	11-12, 15, 17-18	48937	143, 145, 147, 149	56022	65-66
42604	52	45043	23, 25	48938	65-66, 141, 143, 145	56029	43
42609	77, 101	45071	23, 25, 79, 81, 103			56030	43
42610	77			48944	141, 143	56051	77, 83, 95, 101, 107-108, 115, 153
42611	77	45074	23, 25	48946	141, 143		
42616	55	45107	23, 25	48947	141, 143	56095	43
42617	55, 117	45108	23, 25	48997	131, 133-134, 141	56177	137
42621	83	45110	23, 25			56180	147
4266	77, 83, 101	45112	23, 25	48999	141, 143	56201	55
42693	85, 105	45113	23, 25	49418	147, 149	56208	147
42694P	85, 105	45114	23, 25	49612	129, 133-134	56245	147
42705	139, 143, 145	45114	23, 25	49613	129, 133-134	56261	155
42730-S	119	45209	31, 33	49816	57-58, 61, 71, 73, 123, 125, 151, 153	56281	43
42763	85, 105	45226	23, 25, 79, 81, 83, 87-88, 95, 97-98, 103			56289-S	151, 153
42764	129			49817	51-52	56302	57-58, 61
42781	115, 117	45382	31	49818	43	56309	133-134
42785	66	45383	111, 113, 115, 119, 121	49819	57-58, 61, 65-66	56318	61
42797	88, 97-98			49820	117	56319	61
42800	139	45384	113, 119, 121	49821	77, 81, 83, 101	56324	173
42801	139	45385	71, 157	49871	41	56328	171, 173
42804	139	45425	77, 101	50546	88	56330	171, 173
42805	141, 143, 145	45437	107-108	50576	35-38	56338	36-38
42806	139, 141	45444	77	51063	51-52, 163	56361	83, 95
42807	139, 141	45454	155	51147	49	56417	171
42808	147	45462	73, 151	52087	35-38	56418	171, 173
42809	147, 149	45465	31	52339	129, 133-134	56424	159, 161, 171, 173
42811	141	45495	36-38	52598	134		
42812	147	45543	129				
42813	147						

Part Number Index (continued)

Part Number	Page	Part Number	Page	Part Number	Page	Part Number	Page
56425	171, 173	58344	52	62507	88, 97-98		73, 83, 85, 91,
56426	171	58345	52	62508	107-108		93, 95, 105, 107-
56426-576	173	58346	52	62509	87-88		108, 163, 165
56427	171	58360	52	62517	108, 115	6889	29, 77, 101, 157,
56451	171	58438	37-38	62695	41, 43		169, 175, 177,
56452	171	58448	36-38	62696	41, 43		179
56453	23	58494	27	6272	115, 117	6935	27, 71, 73, 107-
56454	37-38	58589	37-38	62928	11-12, 15, 17-		108, 111, 115
56457-S	157	58919	85, 105		18, 21	7056	27, 51-52, 71,
56465P	107-108	58920	85, 105	62929	11-12, 15, 17-		73, 77, 83, 95,
56486	157	58927	85, 105		18, 21		101, 107-108,
56486-S	157	58932	65-66, 69	6326	29, 55, 57-58,		111, 115
56500-S	87-88, 108	58933	65-66, 69		61, 79, 103	7057	111, 115
56528	157	58934	65-66, 69	63311	159	70673	49
56542	157	58936	65-66, 69	63375	107-108, 111	72047	129, 133-134
56561	43	58965	129	6356	23, 25, 27, 29,	72078	35-38
56562	43	58986	123, 125		31, 33, 36-38,	72080	11-12
56569	157	58987	123, 125		41, 43, 55, 57-	72081	12, 15, 17-18, 21
56570	157	58989	129		58, 61, 65-66,	72167	12, 15, 17-18, 21
56572-S	157	58994	133-134		69, 71, 73, 77,	72282	151, 153
56591	87-88	58995	65-66		83, 88, 91, 93,	72298	125
56648	57-58	59076	23		95, 97-98, 101,	72307	37-38
56656	107-108	59169	23		107-108, 113,	72319	35-38
56660	27, 107-108	6002	33		119, 121, 171,	72326	71, 73, 113, 119,
56663	115, 117	6019	36-38, 65-66,		177, 179		121, 151
56667	169		69, 79, 81, 83,	6357	71, 73	7265	159, 161
56668	169		88, 97-98, 103,	65171	11-12, 15, 17-18	72833	12, 15, 17-18
56671	169		107-108, 151	65178	123, 125	72867	17-18, 157, 167
56672	169	6021	23, 25, 36-38,	6525-S	157	72875	157
56704	151		55, 57-58, 61,	65523	137	72999	17-18
56742	169		65-66, 69, 71,	65529	123, 125	7339	31, 41, 55
56749	88, 97-98		73, 77, 79, 81,	65533	157	73711	117
56757	77, 101		83, 95, 101, 103,	65546	125	73713	117
56773	125		151, 177	65618	35-38	73714	51-52
56783	57-58	6033	87-88	6563	31, 83, 95	73717	117
56788	57-58	60429	51-52	65630	157	73723	117
56791	57-58, 61	60443	117	6578	155, 167	73736	117
56820	129, 133-134	60526	117	65824	37-38	73803	117
56828	37-38	6090	29, 31, 33, 41,	65842	87-88	73928	87-88
56831	35-38		43, 51-52, 57-	65872	35-38	74006	111
56843	51-52		58, 61, 65-66,	6606	55	74007	161
56846	57-58		69, 71, 73, 85,	6607	51-52, 77, 81,	74009	159, 161
56849	83, 95		88, 91, 93, 97-		83, 95, 101	74011	159
56875	55, 57-58, 61		98, 105, 108,	66094	33	74019	87-88, 97-98
56886	113, 119, 121,		113, 119, 121,	6637	108, 157	74020	147
	127		159, 165, 173	6638	23, 25, 27, 29,	74044	91, 93
56894	139, 143, 145	6091	23, 25, 27, 41,		36-38, 41, 43,	74051	97-98
56895	139		51-52, 55, 57-		51-52, 55, 58,	74052	107-108
56896	139, 143, 145		58, 61, 65-66,		61, 65-66, 71,	74053	137
56897	139, 143, 145		71, 73, 83, 85,		73, 83, 85, 88,	74056	91
56898	143, 145		88, 95, 97-98,		91, 93, 95, 97-	74057	91
56899	143, 145		105, 107-108,		98, 105, 107-	74066	83, 95
56903	157		159, 161, 163,		108, 113, 119,	74070	97-98
56911	36-38		165, 171, 173		121, 157, 159,	74085	77, 101
56912	23, 25, 27, 29,	6097	29, 55, 57-58,		161, 165, 169,	74088	65-66
	36-38, 61, 83,		61, 65-66, 69,		173, 177, 179	74089	79, 97-98, 103
	95, 107-108		71, 73, 87-88,	66397	45, 47, 49	74091	81
56925	87-88, 98		97-98, 157, 163,	6666	71, 73	74098	36-38
56929	88, 97-98		169, 177	66717	41	74099	36-38
56930	43	61226	43, 117	66811	63	74101	45, 47
56945	147, 149	6145	88, 91, 93, 97-98	66812	63	74102	45, 47
56961	91, 93	6146	27, 57-58, 61,	66813	113, 119, 121	74103	31, 45, 47
56976	88		71, 73, 163, 167	66815	113, 119, 121	74104	45, 47
56976-S	97-98	61726	163	66816	63	74105	45, 47
56983P	85, 105	6178	27, 51-52, 57-	66818	63, 113, 119, 121	74106	45, 47
56993	57-58		58, 61, 71, 73,	66821	63, 113, 119, 121	74107	45, 47
56994	57-58, 61		107-108, 117,	66900	33	74108	45, 47
58108	71, 73		151, 167	66901	33	74109	45, 47
58208	65-66	61972	163	6782	41, 167	74110	47
58296	52	61973	163	6833	85, 105, 108	74111	47
58320	37-38	61974	163	6878	177, 179	74112	45, 47
58330	52	61975	163	6884	157	74113	47
58331	52	62276	129	6886	41, 43	74114	45, 47
58332	52	62297	41	6888	23, 25, 27, 29,	74115	45, 47
58333	52	62300	37-38		31, 36-38, 43,	74119P	85, 105
58343	52	62506	88, 97-98		61, 65-66, 71,	74124	137



Part Number Index (continued)

Part Number	Page	Part Number	Page	Part Number	Page	Part Number	Page
74134	91, 93	74785	107-108	83102	97-98	96317	23, 25
74136	145	74795	83	8516	51-52, 77, 87-	97128	51-52, 77, 101
74137	35-38	74803	71		88, 101	97815	21
74144	139, 143, 145	74838	147, 149	85239	63	97890	18
74145	143, 145	74847	165	85300	157	97893	18
74157	63	74848	165	87085	161	97894	18
74166	147	74864	51-52	87755	117	Ref.	171
74171	147, 149	74865	87-88	88337	23, 25	T107884	87-88
74172	147	74866	87-88	88338	23, 25	T107970	15
74232	77, 101	74868	165	88356-11103	51-52	T107971	15
74255	97-98	74902	129, 133-134	88356-116R3	77, 101	T107974	21
74256	51-52	74913	57-58, 61	88356-12103	51-52, 77, 101	T107975	21
74266	41, 43	74917	57-58, 61	88356-127J5	81, 83, 95	T108813	35-38
74267	41, 43	74918	61	88385	173	T108887	35-38
74268	41, 43	74920	61	88390	173	T109281	65-66
74271	77, 101	74921	61	88827	63	T112540	129
74282	41, 43	74922	61	8910	31, 33	T112563	107-108
74298	107-108	74923	61	8914	55, 57-58, 61,	T112577	175
74308	149	74924	61		65-66, 69, 77,	T112773	18
74309	147, 149	74925	61		101, 161	T112779	175
74312	23, 25	74927	57-58	8915	33, 65-66, 91,	T114858	43
74313	23, 25	74945	77, 101		93, 137, 171, 173		
74322	63	74966	133-134	89310	133-134		
74323	97-98	74983	147, 149	89323	37-38		
74334	77	76450	77, 101	94001	33		
74345	91, 95	77051	88, 98	94002	33		
74347	97-98	7713	83, 95, 157	94003	33		
74353	108, 115	77692	23, 25, 55, 57-	94011	33		
74356	127		58, 61, 71, 73,	94012	33		
74357	127		79, 95, 98, 103	94019	134		
74358	127	77860	161	94032	93, 95		
74359	127	77892	87-88	94077	57-58, 61		
74362	123, 125	77981	65-66, 69	94103	147, 149		
74363	123	77990	65-66, 69	94104	147, 149		
74364	123, 125	77993	108	94105	147, 149		
74365	123, 125	77994	108	94106	147, 149		
74366	123, 125	78622	69	94153	88		
74367	125	79452	43	94170	163		
74368	125	80605	77, 101	94176	163		
74378	131	814884	61	94195	51-52, 87-88		
74380	107-108	81532	171	94211	77, 101		
74381	107-108	81579	55, 57-58, 61	94214	83, 95		
74384	127	8178	157, 177	94215	81		
74389	23, 25	8179	177, 179	94216	81		
74404	137	82161	17-18	94217	88		
74424	43	822704	75	94218	87-88		
74425	133-134	822872	75	94254	77, 101		
74436	31	822917	43	94256	83		
74437	31	822919	43	94257	83, 95		
74439	37-38	823226	43, 117, 157, 167	94258	81		
74440	37-38	82366	12, 15, 17-18	94259	81		
74441	37-38	823684	33	94260	88		
74442	37-38	823948	167	94261	87-88		
74443	37-38	82472	21	94262	157, 161		
74446	41	82481	21	94315	35-38		
74447	71	82487	21	94316	35-38		
74468	43	824878	113, 119, 121	94317	35-38		
74469	43	824879	57-58, 61	94395-S	163		
74470	43	825207	173	94403	97-98		
74471	41, 43	825212	173	94404	87-88, 97-98		
74482	147, 149	825213	173	94425	77, 101		
74483	147, 149	825214	173	94428	65-66, 69		
74495	41, 43	82544	21	94461	169, 181		
74508	83	82548	21	94462	169, 181		
74509	83	82592	15, 17-18, 21	94463	169, 181		
74512	133-134	82601	21	94742	57-58		
74581	139, 143, 145	82602	21	94879	35-38		
74587	87-88	82604	21	94880	35-38		
74614	88	82610	21	94908	23, 25		
74634	65-66	82611	21	94909	37-38		
74651	33	83022	35-38	94911	37-38		
74714	37-38	83042	87-88	94912	37-38		
74734	171, 173	83085	81	9596	159		
74735	88	83086	83	9599-S	161		
74765	71	83087	87-88	96008-S	63		
74784	107-108	83093	63	96010	63		

The Part Description Index is an alphabetical index of all part descriptions included in this manual. The index shows what page(s) the part is used on.

3
3106170WIPER, TOP.....169

5
5/16-18 X .75 LG.FLG.LCK.SCREW.....41, 65-66, 69, 157, 167

A
ACC,WORKLIGHT,48V**.....157
ACC.RETRO KIT LVI/BCI ENGAG II...157, 161
ACCESSORY,PLATFORM STEP.....157
ACCESSORY,WORKLIGHT,48 VOLT.....157
ACTUATOR-DISC. ROD (56828).....37-38
ALARM,CHIME TONE 5-25VDC***.....73, 151
ALARM,WARBLE TONE 5-30 VDC***.....111, 113, 115, 119, 121
ALARM.INTERMITTENT TONE.24V.....71, 73
AMMETER-BOOM CHARGER.....27
ANGLE RELAY MOUNTING.....57-58, 61
ANGLE,FUSE MOUNT.....43
ANGLE,SWITCH MOUNT***.....77, 101
ASSEMBLY FOOT SWITCH.....75
ASSEMBLY, CONTROLLER PLATE.....43
ASSEMBLY,BASE CONTROL PANEL.....63
ASSEMBLY,CONTROL PANEL.....63
ASSEMBLY,FOOT SWITCH.....107-108
ASSEMBLY,TERMINAL RAIL,Z30N.....57-58
ASSY, CIRCUIT BREAKER 10A.....55, 57-58, 61, 63
ASSY, EXT BOOM, Z30NRJ.....95
ASSY,DECAL PLATE,Z30 AUS.....107-108
ASSY,LED,IES CHARGER.....29
ASSY,LS,LOAD SENSE,38.5 IN.....163
ASSY,RELAY SOCKET, AUTO.....57-58
ASSY,TERMINAL RAIL,Z30/34DC.....57-58, 61

B
BACKING PLATE, PLATFORM CLAMP.....108
BASE, W/1 N.O. CONTACTS***.....113, 119, 121
BASE,WITHOUT CONTACTS.....63, 113, 119, 121
BAT.CABLE ASSY,G.C. SIDE,Z34.....31
BAT.CABLE ASSY,TANK SIDE,Z34.....31
BATT.BOX ASSEMBLY,LS,30N.....31
BATT.BOX ASSEMBLY,RS,30N.....31
BATTERY BOX ASSY W/DECALS RS.....31
BATTERY BOX ASSY, LH.....33
BATTERY BOX ASSY, RH.....33
BATTERY BOX ASSY,CONTRL SIDE.....33
BATTERY BOX ASSY,TANK SIDE DWN.....33
BATTERY CABLE ASSEMBLY.....33
BATTERY CABLE ASSY,9.5"JUMPER.....45, 49
BATTERY, 350AH,GROUP L16 (DRY).....31, 33
BATTERY,AGM,6V/390A,L16.....33
BEARING KIT.....35-38
BEARING KIT (45553) TORQUE HUB.....36-38
BEARING KIT (56828).....37-38
BEARING KIT, AUSCO 1200 IN/LB.....35-38
BEARING KIT, MICO BRAKE.....35-38
BEARING KIT,EW1/4HB***.....37-38
BEARING KIT,GE DRIVE MOTOR***.....35-38

BEARING KIT,ROTATOR***.....97-98
BEARING KIT,ROTATOR,4.5K***.....87-88
BEARING KIT,ROTATOR,9K***.....87-88
BEARING KIT-74097 TORQUE HUB*.....37-38
BEARING KIT-AUSCO(56272)***.....35-38
BEARING, MID-PIVOT.....83, 95
BEARING, MOTOR.....35-38, 65-66, 69
BEARING,0.75IDX1.00ODX0.75L.....31, 33
BEARING,1.00IDX1.25ODX1.00L.....23, 25
BEARING,1.25 ID X 1.5 OD X .75.....81, 88
BEARING,1.25IDX1.50ODX1.25L.....87-88
BEARING,1.25IDX1.50X1.25L.....79, 97-98, 103
BEARING,1.50 X 1.66 X 1.5.....81
BEARING,1.5IDX1.75ODX1.0L.....79, 103
BEARING,1.5IDX1.75ODX1.5L.....23, 25, 79, 81, 103
BEARING,CONE LM501349 (74994).....52
BEARING,CONE***.....51-52
BEARING,CUP LM501310 (74994).....52
BEARING,CUP***.....51-52
BEARING,FL,1.00IDX1.25ODX0.84L.....79, 103
BEARING,FL,1.25IDX1.41ODX.89L.....88
BEARING,FL,1.25IDX1.41ODX1.50L.....87-88, 97-98
BEARING,FL,1.25IDX1.50ODX1.09L.....79, 103
BEARING,FL,1.25IDX1.50ODX1.25L.....87-88
BEARING,FL,1.25IDX1.50DX1.25L.....83, 95, 97-98
BEARING,GARLOCK,12FDU12.....163
BEARING,MOTOR.....65-66, 69
BEARING,POLYGON,20DU12.....79, 87-88, 103
BELLCRANK ASSEMBLY, Z30N,Z34.....87-88
BELLCRANK ASSEMBLY, Z30N,Z34**.....87-88
BELLOW, JIB CYLINDER.....169, 181
BELLOW, MASTER CYLINDER.....169, 181
BELLOW, PRIMARY/ELEV CYLINDER...169, 181
BELLOW, STEERING CYLINDER.....169, 181
BOLT,CARRIAGE,1/4-20 X .75,G2.....177, 179
BOLT,CARRIAGE,3/8-16 X .75,G2.....33
BOOT(BELLOWS),E-STOP,BLACK.....121
BOOT,CABLE TERM,MED.RED,4/0.....31, 33
BOOT,CABLE TERMINAL,LG,RED,2/0.....49
BOOT,CONTROLLER**.....123, 125
BOOT,TOGGLE SWITCH,SHORT*.....63, 113, 119, 167
BOOT-THUMB ROCKER** BLACK.....123, 125
BOX,INSTRUCTION STORAGE.....107-108
BRACE,LEFT HINGE.....71, 73
BRACE,RIGHT HINGE.....71, 73
BRACKET.....61
BRACKET ENGAGE II.....161
BRACKET SET,NYLATRAC,KS400.....85, 105
BRACKET, CABLE STRAIN RELIEF.....108
BRACKET, CABLE STRAIN RELIEF.....108
BRACKET, CHARGER CORD AND LED.....29
BRACKET, HOSE ROUTING.....83, 95
BRACKET, RELAY MOUNTING.....41
BRACKET, RETURN FILTER.....69
BRACKET,ADJ.WIPER MOUNT.....169
BRACKET,BEACON LIGHT.....151, 153
BRACKET,CHARGER GAUGE MOUNTING.....27

BRACKET,CONTACTOR MOUNT SINGLE.....43
BRACKET,COVER LATCH.....71, 73
BRACKET,INVERTER MOUNT.....165
BRACKET,WIPER TOP.....169
BRAKE, NEMA, 1200 IN/LB.....35-38
BRAKE,MICO DRIVE,Z30N,Z34 *.....35-38
BRUSH BOX ASSY.....35-38
BRUSH COVER -PLATE-(48504).....65-66, 69
BRUSH HOLDER.....35-38
BRUSH KIT,GE DRIVE MOTOR***.....35-38
BRUSH LEAD ASSEMBLY KIT(48504).....65-66, 69
BRUSH LEAD ASSEMBLY KIT(56831).....35-38
BRUSH RETAINING SPRING,DR MTR.....35-38
BRUSH RIGGING (48504).....65-66, 69
BRUSH SET (4PER)(48504)**.....65-66, 69
BRUSH, MOTOR.....35-38
BULKHEAD FITTING,PLASTIC X 8**.....69
BULKHEAD,FEMALE X 6 X 6.....155
BUMPER, PLASTIC, 1.25 O.D.....159, 161, 175
BUMPER,3.50 DIA.STRAIGHT.....171
BUMPER,3.50D X 1.5 ID 90 DEG.....173
BUMPER,3.50D X 1.5 ID X 6.75.....173
BUMPER,3.50D X 1.5 ID X 9.75.....173
BUMPER,3.50D X 1.5ID X 12.75.....173
BUMPER,3.50D X 1.5ID X 14.75.....173
BUMPER,3.50D X 1.5ID X 15.65.....173
BUMPER,3.50D X 1.5ID X 2.75.....173
BUMPER,3.50D X 1.5ID X 22.70.....173
BUMPER,3.50D X 1.5ID X 30.75.....173
BUMPER,3.50D X 1.5ID X 38.75.....173
BUMPER,90 DEG ELBOW.....171, 173
BUMPER,BATTERY BOX & RAILS.....159, 161
BUMPER,RUBBER***.....161, 163
BUMPER,RUBBER,.75 X .50H,STUD...55, 57-58, 61, 71, 73
BUMPER,TURNTABLE STOP TMZ50.....149
BUSHING, FLANGED.....88
BUSHING,STRAIN RELIEF,875/30.....29
BUSHING,STRAIN RELIEF,875/40.....29
BUTTON,PUSH,BLACK W/SEAL ***.....113, 119, 121
BUTTON,PUSH,RED MUSHROOM HEAD..63

C
C-CLIP, SHAFT, JOYSTICK.....123, 125
C.E. OPTION,Z30N,Z30NRJ.....161
CABLE ASSY #2 BLK A1/A1.....49
CABLE ASSY #2 BLK AP1/AP2 BATT.....49
CABLE ASSY #2 BLK AP1/AP2 DRIV.....49
CABLE ASSY #2 BLK B(+)/A2.....49
CABLE ASSY #2 BLK B(+)/PR1.....49
CABLE ASSY #2 BLK M(-)/A2.....49
CABLE ASSY #2 RED AP1/AP2 DRIV.....49
CABLE ASSY #2 RED BATT.....49
CABLE ASSY #4 BLK B(-)/LP-D1.....49
CABLE ASSY #4 BLK LP-D1/AP-D1.....49
CABLE ASSY #4 RED PR2/LP-A1.....49
CABLE ASSY #4 RED PR3/AP-A2.....49
CABLE ASSY,#2 BLACK.....31, 45, 47
CABLE ASSY,#2 BLACK, 31".....47
CABLE ASSY,#2 RED.....45, 47

Part Description Index (continued)

CABLE SQUEEZE CONN.,XTRA LRG.....111, 115	CONN PLUG 4 WAY EXTEND DT.....51-52	COUPLER,MALE,BRAZED SEAM:16/14....153
CABLE TIE,4" BLK,HEAT RESISTNT.....108	CONN RECEPT,FLANGED.....117	COUPLING,POT SHAFT (56886).....127
CABLE TIE,7 3/8".....155, 167	CONN,520102-8-8.....141, 143	COUPLING-POT,JOYSTICK (56579).....123, 125
CABLE TIE,BUTTON,BLACK,14.75LG.....83, 95	CONN,520120-4***.....137, 143, 145, 147, 149	COVER ASSY W/DC GC SIDE,ANSI.....71
CABLE TRACK,NYLATRAC,26 LINK.....85, 105	CONN,520120-4-6***.....139, 141, 143, 145, 147, 149	COVER ASSY W/DECAL,GRND CTRL.....71, 73
CAM ASSEMBLY, JOYSTICK(42032).....123, 125	CONN,520120-4-6,.035,ORI.....141, 143, 145	COVER ASSY W/DECAL,PUMP SIDE.....71, 73
CAP,DIAGNOSTIC NIPPLE.....131, 134	CONN,520120-6-10.....141, 143, 145	COVER ASSY W/DECALS,HPU SIDE.....71
CAP,DISENGAGE,4HP/4HB***.....37-38	CONN,520120-6-4.....147, 149	COVER ASSY W/SYM DCAL,GC SIDE.....71, 73
CAP,DISENGAGE-45553 TORQUE HUB....36-38	CONN,520120-8-10.....141, 143	COVER ASSY W/SYM DCAL,PUMP SID....71, 73
CAP,DUST,45873 HUB KIT.....23, 25	CONN,PLUG 120 AC/15A DOMESTIC.....71, 73	COVER ASSY W/D G.C.SIDE,CE**.....71
CAP,HYDRAULIC FILTER ASSY.....65-66	CONN,RECEP 120AC/15A DOMESTIC.....71, 73	COVER ASSY.W/D G.C.SIDE,ANSI.....71
CAPACITOR,6 MFD,660VAC-CHARGR*.....27	CONN,RECEP 4 WAY,12-14GA FL***.....117	COVER ASSY.W/D G.C.SIDE,CE.....71
CASE COVER ONLY 18710/18720.....27	CONN,RECEP 48 WAY,4 X 12.....117	COVER CAP,TORQUE HUB***.....36-38
CASTING 42032.....123, 125	CONN,RECEP 8 WAY 14-18GA,FL.....117	COVER W/DECAL DR CHAS STR END.....23, 25
CHAIN,NO.2.....171	CONN,SQUEEZE,1/2NPT .38-.50,SM.....27, 51-52, 71, 73, 77, 83, 95, 101, 107-108, 111, 115	COVER W/DECALS NON-STEER 23".....36-38
CHAIN,NO.2 (9LINKS).....173	CONN,SQZ,1/2NPT .39-.56 MED.....111, 115	C O V E R
CHANNEL,LWR TRAY PLASTIC TK **.....85, 105	CONN,SQZ,PG 11,.07-.26,W/ORING...77, 101	W/DECALS,COUNTERWEIGHT**.....71, 73
CHANNEL,LWR, TRACK PAINTED**.....85, 105	CONNECTING LINK Z30N & Z34***.....77, 101	COVER, AUXILIARY POWER SWITCH.....63, 113
CHANNEL,UPPER PLASTIC TRACK...85, 105	CONNECTOR,MOLEX 24-WAY.....43	COVER, DR LIGHT OPTION.....167
CHANNEL,UPPER,PLASTIC TRACK,5".....85, 105	CONT.BOX ASSY.PLAT Z30N,Z34DC.....108, 111, 113, 115	COVER, DRIVE CHASSIS,Z30N.....36-38
CHARGER 48V/30A AUTO AC X-LED.....27, 29	CONTACT,MOVEABLE,19550 RELAY.....41, 43	COVER, DRIVE HUB.....37-38
CHARGER,48V,100-125VAC,50H,25A.....27	CONTACT,MOVING (SW181 & SW182).....41	COVER, DUCT, WIRING.....57-58, 61
CHARGER,48V,100-125VAC,60H,25A.....27	CONTACT,MOVING,19549RELAY.....41, 43	COVER, BATTERY BOX W/DECALS,30N.....31
CHARGER,48V,110/60,12A,EERATNG.....27	CONTACT,N.O.....63	COVER,CONTROL PANEL.....71, 73
CHARGER,48V,110VAC,60H,25A.....27	CONTACT,NC.....63, 113, 119, 121	COVER,DISCONNECT ROD*.....37-38
CHARGER,48V,200-250VAC,50H,25A.....27	CONTACT,STATIONARY (56434).....41, 43	COVER,GFCI,HORIZONTAL,WEATHER....111
CHARGER,48V,200-250VAC,60H,25A.....27	CONTACT,STATIONARY,19549RELAY.....41, 43	COVER,GFCI,WEATHERPROOF.....107-108
CLAMP,0.50,#8 X 1/4,RUB CUSH.....85, 105, 108	CONTACT,STATIONRY,19550 RELAY.....41, 43	COVER,PROTECTIVE,MASTER/SLAVE...169, 181
CLAMP,0.75,#12 X 1/4,RUB CUSH.....117	CONTACT-MOVEABLE (56434).....41, 43	COVER,TERMINAL STRIP.....55, 57-58
CLAMP,1.13,#18 X 1/4,RUB CUSH.....155	CONTACTOR,PANEL ASSEMBLY.....43	COVER,TERMINAL STRIP, CONN.....57-58, 61
CLAMP,1.25X.5 RUBBER-CUSHION.....159, 161, 171, 173	CONTACTOR,2X SPDT,24V/DC.....41	COVER-CAP, TORQUEHUB(56338).....36-38
CLAMP,CABLE STRAIN RELIEF.....108	CONTACTOR,AUX PUMP 24V,80A***.....41, 43	CPSCR,FL SKT1/2NCX 125 (74994).....52
CLAMP,HOSE,1.00.....65-66	CONTACTOR,DRIVE,24V,180A***.....41, 43	CYLINDER,ELEVATE.....77, 101
CLAMP,HOSE,2 EAR, 5/8.....155	CONTACTOR,LIFT PUMP 24V 180A.....41, 43	CYLINDER,ELEVATE***.....77, 101
CLAMP,HOSE,2.00***.....169, 181	CONTACTOR,LIFT PUMP 24V 180A**.....43	CYLINDER,EXTENSION.....83
CLAMP,HOSE,3.00".....169, 181	CONTACTOR,LIMIT SWITCH...51-52, 77, 81, 83, 95, 101	CYLINDER,EXTENSION,Z30NRJ***.....83, 95
CLAMP,HOSE,3.50.....169, 181	CONTROL BOX ASSY.Z30/34N/34DC.....108, 115	CYLINDER,JIB.....87-88
CLAMP,HOSE,ALUMINUM***.....95	CONTROL BOX COVER, LH.....161	CYLINDER,MASTER.....81
CLAMP,RUB CUSH,0.75,#12 X 3/8*.....155	CONTROL BOX COVER, RH.....161	CYLINDER,PRIMARY.....81
CLAMP,RUBBER CUSHIONED-2 5/32.....77, 79, 85, 88, 91, 93, 95, 97-98, 101, 103, 105	CONTROLL.36V/48V,DC MTR.SPD.....41	CYLINDER,SLAVE,DONGYANG.....88
CLAMP,WIRE HARNESS.....137	CONTROLLER,ROTARY 24V W/RAMP....113, 119, 121, 127	CYLINDER,STEER,Z45,#4 PORT***.....23, 25
CLIP,HAIR PIN .125 X 2.....31	CONTROLLER,SEP-EX Z30N,AMD.....43	
CLIP,RETAINING,IES CHARGER.....29	CONTROLLER,SEP-EX Z30N,GE.....43	D
CLIP,SPRING,POTTER BRUMFIELD...55, 117	CONVERTER, DC-DC, 48-26 VOLT**.....43	DECAL KIT,SYM,Z30/20 ANSI.....21
COIL, SOLENOID VALVE, 24V***.....137	CORD AC IEC320-C19 TO 110US.....29	DECAL KIT,SYM,Z30/20 CE.....21
COIL,24V SOLENOID VALVE.....129, 131, 133-134	CORD EURO AC IEC320-C19PIGTAIL.....29	DECAL KIT,WORDS,Z30N/Z20.....11-12
COIL,SOLND,W/D,20V DUAL SPADE.....129, 133-134	CORD US AC IEC320-19 PIGTAIL.....29	DECAL KIT,WRD,Z30-20NRJ ANSI.....15
COIL,SOLND,W/D,20V SGL SPADE.....129, 131, 133-134, 137	CORROSION INHIBITOR,FOAM.....111, 115, 117	DECAL KIT,WRD,Z30-20NRJ AUS.....15
COLLAR, ID 1.25,OD 2.062 W.5.....157	COUNTERWEIGHT,CAST,400 LBS.....77, 101	DECAL PLATE ASSY,W/SYM DECALS....107-108
COMP ARM WELD LOWER, RIGHT***.....77, 101	COUNTERWEIGHT,CAST,5252 LBS.....66, 69	DECAL PLATE W/D,PLAT,Z30/34.....107-108
COMPRESSION ARM WLDMT 38.50 **.....77, 101	COUNTERWEIGHT,CAST,645 LBS.....38	DECAL, OPERATING INSTRUCTIONS.....18
COMPRESSION MEMBER (BORED)***.....87-88, 97-98	COUPLER, PUMP / MOTOR (36179).....66, 69	DECAL, PLATFORM CONTROL PANEL*...11-12
CONN HOUSING SBX175, BATT.....31	COUPLER, 1/4"SERIES 3/8 MPT.....155	DECAL, POWER TO CHARGER, UNIV.....18, 27, 29
	COUPLER,INTERNAL SPLINE,T-HUB.....35-38	DECAL,ARROW,BLUE....11-12, 15, 17-18, 21
		DECAL,ARROW,YELLOW SM 5-3/8"....11-12, 15, 17-18, 21
		DECAL,BATT CONN DIAGRAM.....15, 18

DECAL,CAUTION,BRAKE RELEASE***.....11-12	DECAL,LANYARD ANCHORAGE POINT...11-12, 15, 17-18, 21	E	EDC FEMALE CONNECTOR - 4 PRONG.....61
DECAL,CHEVRON RANDO HD.....12, 15, 17-18	DECAL,NOTICE, FUNCTION ENABLE*.....11-12		ELBOW,070302-4-2.....51-52, 141, 143, 145
DECAL,COMPARTMENT ACCESS.....11-12, 15, 17-18	DECAL,NOTICE, GRD OPER INSTRUC.....11-12, 15		ELBOW,45D,520320-8.....143, 145, 147, 149
DECAL,COSM,GENIE Z-30/20N(BOX).....11-12, 15, 17-18, 21	DECAL,NOTICE,BATT CONNECTION.....11-12, 15		ELBOW,90D,520201-8.....69, 145
DECAL,COSMETIC,GENIE BOOM,VERT..11-12, 15, 17-18, 21	DECAL,NOTICE,BATTERY CABLES.....11-12, 15, 17-18		ELBOW,90D,520220-4-4.....139, 147
DECAL,COSMETIC,GENIE Z-30/20N...11-12, 15, 17-18, 21	DECAL,NOTICE,CHARGER INSTRUC.....11-12, 15, 17-18		ELBOW,90D,520220-4-6***.....139, 143, 145
DECAL,COSMETIC,GENIE Z30/20NRJ.....12, 15, 17-18, 21	DECAL,NOTICE,HAZARDOUS MAT'LS*.....11-12, 15, 17-18		ELBOW,90D,520220-6.....137, 139, 141, 143, 145
DECAL,DANGER DO NOT ALTER SWTC.....11-12, 15, 17-18	DECAL,NOTICE,LUG NUT TORQUE***.....11-12, 15, 17-18		ELBOW,90D,520220-8-10.....145
DECAL,DANGER,BATTERY SAFETY***.....11-12, 15, 17-18	DECAL,NOTICE,MAX CAP 440 LBS.....17-18		ELBOW,90D,520220-8-12.....141, 143
DECAL,DANGER,ELEC.HAZ.STAY CLR...11-12, 15, 17-18, 21	DECAL,NOTICE,MAX LOAD 500 LBS.....11-12, 15, 17-18		ELBOW,90D,LONG,521520-6.....141
D E C A L , D A N G E R , E L E C T HAZARD,PLUG.....11-12, 15, 17-18	DECAL,NOTICE,OPER INST PLAT,DC.....11-12, 15, 18		ELEMENT,RETURN FILTER.....65-66
DECAL,DANGER,GEN SAFETY RULES.....18	DECAL,NOTICE,SIDE FRC 150,ANSI.....11-12, 15		END STOP, DIN RAIL,SCREW CLAMP.....57-58, 61
DECAL,DANGER,GEN SAFETY RULES*...11-12, 15	DECAL,NOTICE,SIDE FRC/WINDANSI.....18		EXT BOOM ASSY, Z30NRJ RETROFIT.....95
DECAL,DANGER,MAX SIDE FRC,667N.....21	DECAL,OPER INST,DC BOOM GND AU.....18		EXT BOOM ASSY,Z30N RETROFIT***.....83
DECAL,DANGER,NO SMOKING.....17-18	DECAL,OPERATING INSTR,GROUND.....17-18		EXTENSION BOOM TUBE.....87-88
DECAL,DANGER,NO SMOKING***.....11-12, 15	DECAL,OPTION GENERATOR***.....17-18		
DECAL,DANGER,SIDE FRC 400N.....21	DECAL,PLATFORM CONTROL PANEL.....12, 15, 21	F	FILTER ASSY,RETURN.....65-66
DECAL,DANGER,TILT ALARM.....18	DECAL,PLATFORM CONTROL PANEL**...17-18		FILTER ASSY,SAE8,10 MIC,PAPR**.....69
DECAL,DANGER,TILT ALARM***.....11-12, 15	DECAL,POWER TO PLATFORM 115V.....11-12, 15, 17-18, 21		FILTER ELEMENT RFM90.....65-66
DECAL,DANGER,TIP-OVER BATTERY.....11-12, 15, 17-18	DECAL,POWER TO PLATFORM 230V.....11-12, 15, 17-18, 21		FILTER ELEMENT,10MICRON,PAPER*.....69
DECAL,DRIVE ENABLE PATCH.....21	DECAL,SYMBOL-BATTERY SAFETY.....21		FILTER ELEMENT,RETURN.....65-66
DECAL,FUNCTION OVERRIDE.....17-18	DECAL,SYMBOL-READ THE MANUAL.....21		FILTER SCREEN,TANK BREATHER.....65-66
DECAL,GROUND CONTROL PANEL.....11-12, 15, 21	DECAL,TRIANGLE,BLUE...11-12, 15, 17-18, 21		FITTING,CONN,520120-6.....141, 143, 145, 147, 149
DECAL,GROUND CONTROL PANEL**.....11-12	DECAL,TRIANGLE,YELLOW...11-12, 15, 17-18, 21		FITTING,CONN,520120-6-8***.....141
DECAL,GROUND CONTROL PANEL***.....17-18	DECAL,USE DEXRON***.....11-12		FITTING,ELBOW,45D,520320-4-6**.....147, 149
DECAL,INSTR,SIDE FRC/WIND,AUS.....11-12, 15, 17-18	DECAL,WARN,CRUSH HAZARD HAND.....11-12, 15, 17-18		FITTING,ELBOW,90D,520220-6-4.....147
D E C A L , I N S T R U C T , F O O T S W I T C H OPER.....11-12, 15, 17-18	DECAL,WARN,CRUSH HAZARD PLAT.....11-12, 15, 17-18, 21		FITTING,ELBOW,90D,520220-8***.....145
DECAL,LABEL, OPEN, LATCH.....12, 15	DECAL,WARN,FALL HAZARD.....11-12, 15, 17-18		FITTING,TEE,BRANCH,520429-4***.....147, 149
DECAL,LABEL,AIRLINE 110 PSI.....11-12, 15, 17-18, 21, 155	DECAL,WARN,IMPROPER OPERATION...11-12, 15, 17-18		FITTING,TEE,RUN,SWIVEL520432-8.....65-66, 141, 143, 145
DECAL,LABEL,CB & STATUS LIGHT.....11-12, 15, 17-18, 21	DECAL,WARNING,BRAKE RELEASE***.....11-12		FIXED CONTACT (FOR 74267).....43
DECAL,LABEL,EE RATING.....17-18	DECAL,WARNING,CRUSHING HAZARD.....21		FLASHTUBE,STRAIGHT,360DEG,BULB..151, 153
DECAL,LABEL,FMRC APPROVED.....17-18	D E C A L , W A R N I N G , P I P E CRADLE,BOOM.....157		F L A S H T U B E , U SHAPED,360DEG,BULB.....151, 153
DECAL,LABEL,LIGHTS***.....17-18, 157, 167	DIAGNOSTIC FEMALE Q-DSCNT.....131, 134		FLOORING,PLATFORM 46X30,PAINT.....107-108
DECAL,LABEL,LOWER MIDRAIL.....21	DIN RAIL, 10.14.....57-58		FOOT SWITCH WIRE ASSY W/CONN.....111
DECAL,LABEL,MANUAL NOT HERE...11-12, 15, 17-18	DIN RAIL,11.25".....57-58, 61		FOOT SWITCH***.....107-108
DECAL,LABEL,MAX CAPACITY***.....21	DIN RAIL,11.63".....55		FOOTSWITCH ASSEMBLY 30N.....107-108
DECAL,LABEL,OPEN,LATCH.....17-18	DIN RAIL,13.75.....55		FOOTSWITCH HOUSING,PAINTED.....107-108
DECAL,LABEL,PETRO CANADA***.....17-18	DIODE ASSEMBLY.....63		FORMING, WIPER MOUNT.....177
DECAL,LABEL,PWR TO CHARGR 115V...11-12, 15, 17-18, 21	DIODE,6 AMP,200 PIV,BULK.....63		FORMING,BATTERY CONN HANDLE.....49
DECAL,LABEL,PWR TO CHARGR 230V...11-12, 15, 21	DIODE,PCB DRIVE CONTACTOR.....43		FORMING,BRACKET.....61
DECAL,LABEL,RELAYS,Z30N,Z34NDC.....18	DISCONNECT ROD (56338).....36-38		FORMING,HANDLE BATTERY CONN.....33
DECAL,LABEL,TRAVEL ALARM***.....11-12	DISCONNECT ROD (56828).....37-38		FORMING,HOSE LOCK.....51-52
DECAL,LABEL,UCON HYDROLUBE.....17-18	DISCONNECT ROD-45553 TQ.HUB.....36-38		FORMING,WIPER MOUNT.....179
DECAL,LABEL,WHEEL LOAD Z30N&RJ...15, 18, 21	DUST SHIELDS,180A CONTACTOR.....41, 43		FRT COVER ASSY. W/SYM DECALS.....25

G

GASKET KIT, AUSCO 1200 IN/LB.....35-38
GASKET LVI/BCI ENGAGE II.....157, 161

Part Description Index (continued)

GASKET, BRAKE (VENDOR#78917).....35-38	HOSE ASSY.....147	
GASKET, PUMP / MOTOR (36179).....66, 69	HOSE ASSY, 0.25 X 31 IN.....147	
GASKET,COVER,GFCI,WEATHERPROOF.107-108	HOSE ASSY, 1/2", 28.00.....141, 143	
GASKET,HYDRAULIC TANK.....66	HOSE ASSY, 1/2", 66.50.....139, 143, 145	
GASKET,JOYSTK.SHAFT36867/42032.....123, 125	HOSE ASSY, 1/4", 15.00.....143, 145	
GASKET,KEYSWITCH,PLASTIC***.....63	HOSE ASSY, 1/4", 166.00.....147	
GASKET,MTR,2A,MAG (74994).....52	HOSE ASSY, 1/4", 17.00.....143, 145	
GASKET,PLAT.CONTROL BOX.....111, 115, 117	HOSE ASSY, 1/4", 19.00.....147, 149	
GASKET-ROTARY CNTRL 56886.....127	HOSE ASSY, 1/4", 31.00.....149	
GATE LATCH CASTING--DRILLED.....159, 161	HOSE ASSY, 1/4", 31.50.....147, 149	
GEAR, SLAVE, MS4,45048.....123, 125	HOSE ASSY, 1/4", 46.50.....147, 149	
GROMMET,RUBBER .5 X .014 X .75.....167	HOSE ASSY, 1/4", 65.00.....139, 143, 145	
GROUND CONTROL PANEL ASSY.....63	HOSE ASSY, 1/4", 69.25.....139, 143, 145	
GROUND STRAP,12"LG***.....23, 25	HOSE ASSY, 3/8", 19.00.....141, 143	
GUARD,BEACON,NARROW.....153	HOSE ASSY, 3/8", 20.50.....143, 145	
GUARD, FOOTSWITCH, W/DECAL STEEL.....107-108	HOSE ASSY, 31.00.....147	
GUIDE,HOSE -4.....51-52	HOSE ASSY,1/2",12.38".....69, 145	
	HOSE ASSY,1/2",21.50".....145	
	HOSE ASSY,1/4", 20.00.....143, 145	
	HOSE ASSY,1/4", 23.25.....141, 143, 145	
	HOSE ASSY,1/4",166.00.....149	
	HOSE ASSY,1/4",168.00.....147	
	HOSE ASSY,1/4",181.00.....147, 149	
	HOSE ASSY,1/4",192.00.....147, 149	
	HOSE ASSY,1/4",224.00.....149	
	HOSE ASSY,1/4",27.50.....141	
	HOSE ASSY,1/4",31.00.....149	
	HOSE ASSY,1/4",430.00.....147, 149	
	HOSE ASSY,1/4",481.5.....147, 149	
	HOSE ASSY,1/4",65.50.....147, 149	
	HOSE ASSY,1/4",65.50".....149	
	HOSE ASSY,1/4",77.50.....139, 143, 145	
	HOSE ASSY,3/8",44.00.....139, 143, 145	
	HOSE ASSY,JIB J1 TO CYL EXT.....147	
	HOSE ASSY,JIB MAN TO PLAT ROT.....147	
	HOSE ASSY,JUNC TO JIB MAN T.....147	
	HOSE ASSY,PORT'S1'-END OF CYL*.....139	
	HOSE ASSY,PORT'S2'-ROD END*.....139	
	HOSE ASSY,PR2 TO PLAT ROT V2.....147	
	HOSE ASSY,STR/BRK MAN-RR BRK*.....139	
	HOSE ASSY,T2 TO JIB JUNCTION.....147	
	HOSE ASSY-'J1' TO JIB CYL CAP.....147	
	HOSE ASSY-'M2' TO ROT FLUID M.....141	
	HOSE ASSY-'P1'-HYD POWER UN.....141	
	HOSE ASSY-C5/C6 TO PRIM BM C.....147	
	HOSE ASSY-JUNCTION TO JIB MANI.....147	
	HOSE ASSY-P2 TO JIB JUNC.....147	
	HOSE ASSY-PUMP-HYD PWR UNIT 'P'.....139, 141	
	HOSE ASSY-RET FIL-'T1'.....141	
	HOSE ASSY-TANK-RET FILTR INLE.....141	
	HOSE ASSY-TANK-RET FILTR INLE*.....139	
	HOSE COVER,JIB BOOM**.....88, 97-98	
	HOSE END,BARBED,RIGID,-6-6.....155	
	HOSE END,BARBED,RIGID,90DEG6-6.....155	
	HOSE TRACK COVER,LOWER ARM.....77	
	HOSE TRACK COVER,UPPER ARM.....77, 101	
	HOSE TRACK,LOWER ARM Z30N.....77	
	HOSE TRACK,UPPER.....77, 101	
	HOSE,ASSY,3/8",20.25".....145	
	HOSE,LOW PRESSURE,,375 ID,BLK.....155	
	HOSE,RET.FILTER DWN TUBE RUBBE.....65-66, 88	
	HOUR METER,10-80 VOLTS***.....63	
	HUB ASSEMBLY MODEL#60-8.....23, 25	
	HYDRAULIC FILTER ASSY.....65-66	
	HYDRAULIC HOSES AND FITTINGS.....87-88	
	HYDRAULIC TANK.....65-66	
	HYDRAULIC TANK, BE/DC.....69	
		I
		IND,BAT CHARGE,48V LEAD-ACID.....157
		INJECTOR,DEUTZ.....43
		INNER CONE - MODEL 60-8.....23, 25
		INSTRUCTIONS-PIPE CRADLE,BOOMS...157
		INSULATION,48V BATT.BOX LID.....33
		INVERTER,48VDC,120VAC/60HZ.....165
		J
		JIB BOOM MACH.....88, 97-98
		JIB BOOM MACHINED.....88
		JIB MAN W/#4 PORTS 20V.....137
		JIB MANIFOLD.....88
		JIB PIVOT ASSEMBLY.....97-98
		JOYSTICK,5K-0 OHM.....125
		JOYSTICK,5K-0 OHM,W/RELAY.....125
		JOYSTICK,CNTRLLR SINGLE BRD.....123
		JUMPER COMB, 2-WAY,WIELAND.....57-58, 61
		JUMPER COMB, 3-WAY,WIELAND.....61
		K
		KEY SINGLE***.....63
		KEY-WOODRUFF.....51-52
		KEYS,10 PACK***.....63
		KEYSWITCH,3 POS.W/KEYS***.....63
		KEYSWITCH,3POS.MNTND.DR WKEY**.....63
		KEYSWITCH,CONTACTS LOCK.....63
		KIT, 94199 MOTOR REPLACEMENT.....35-38
		KIT, AUX. RAIL, 4' PLATFORM.....175
		KIT, CYLINDER BELLOWS.....181
		KIT, DC-DC CONV,Z30N W/INVERTER.....43
		KIT, DC-DC CONVERTER, DC.....43
		KIT, FOOTSWITCH, Z30/Z34 SYM.....107-108
		KIT, FOOTSWITCH, Z30/Z34 WORD.....107-108
		KIT, HYDRAULIC TANK.....65-66
		KIT, SERVICE, Z30 LWR COMP ARM.....77, 101
		KIT, TERMINAL BLOCK.....57-58, 61
		KIT, WIPER.....177
		KIT, WIPER, Z-40/23N.....179
		KIT,ASSY,LED,IES CHARGER.....29
		KIT,COVER,TORQUE HUB,45553***.....37-38
		KIT,ESTOP SVC BB&SM BOOM.....63, 113, 119, 121
		KIT,FIELD INSTALL,SWING GATE.....161
		KIT,HALF SWING GATE***.....159
		KIT,HORN SVC BB&SM BOOM.....113, 119, 121
		KIT,KEYSWITCH SVC BB & SM BOOM.....63
		KIT,SEAL (74994).....52
		KIT,SEAL& BEARING,ARC,ROT.9K**.....87-88
		KIT,SEAL,3CC PUMP***.....65-66, 69
		KIT,SWING GATE W/SPRING.....161
		KIT,TORQUE HUB COVER (45553)**.....36-38
		KIT,TORQUE HUB COVER(101584)**.....37-38
		KIT,UNIV CHRGR UPGRADE,SM BOOM.....27
		KIT,Z30N BRAKE SERVICE (3).....35-38
		KNOB, 45048 CONTROLLER.....127
		L
		LANYARD ASSY, 9.5".....49
		LATCH,ADJUSTABLE DRAW.....71, 73
		LATCH,DRAW,ADJUSTABLE.....31
		LATCH,ROTARY, W/KNOB, LEFT.....33

LATCH,ROTARY,W/KNOB,RIGHT.....33
 LED,RED 24V.....113
 LEGEND,PLSTC,"CREEP TO 9****.....127
 LENS,AMBER,STROBE,FIREBOLT....151, 153
 LEVEL SENSOR,LS60,YL,2.5X4.5.....57-58,
 61
 LID,BATT PACK, W/SYM DECALS.....33
 LID,CONTROL BOX COVER.....161
 LID-BATTERY BOX W/DECALS**.....33
 LIGHT,LED IND. RED 12V NH.....57-58, 61
 LIGHT,LED IND. RED 24V NH.....113, 119, 121
 LINING KIT***.....35-38
 LINING KIT, MICO BRAKE**.....35-38
 LINING KIT-AUSCO.....35-38
 LINING KIT-AUSCO BRK (56272)**.....35-38
 LINK,NYLATRAC KS6-5.4***.....85, 105
 LINK,NYLATRAC,KS400.....85, 105
 LOAD SUPPORT WITH BEARINGS.....163
 LOCK,PLUG 4 WAY,14-18GA.....51-52
 LOCK,RECEP 12 WAY, 14-18GA.....117
 LOCK,RECEP 4 WAY,12-14GA.....117
 LOCK,RECEP 4 WAY,14-18GA.....117
 LOCKNUT,ELEC,1/2".....27, 71, 73, 107-108,
 111, 115
 LOCKNUT,ELECTRIC,3/4".....111, 115
 LOCKWASHER,LT IND. OD.868/530.....57-58,
 61
 LOWER MIDPIVOT ASSY,Z34 &Z34N*.....77,
 101
 LOWER SECONDARY BOOM
 ASSEMBLY.....101
 LOWER SECONDARY BOOM
 ASSEMBLY*.....77
 LS BLUE PLASTIC BODY (XCKP).....77, 101
 LS METAL END PLUNGER (ZCE10).....77, 101
 LS ROT.HEAD W/O LEVER (ZCE01).....51-52,
 77, 101
 LS SPRING WAND (ZCY91).....81, 95
 LS STL ROLLER PLUNGER (ZCE02).....77,
 101
 LUG BOLT,5/8-18,WHEEL HUB***.....23, 25
 LUG,WHEEL STUD,5/8-18,W1/4HB**.....36-38
 LVI/BCI 36/48 VOLT ENGAGE II.....157, 161

M

M4 X 0.7 X 8MM RHMS.....41
 M4 X 5 PHILLIPS (CHEESEHEAD).....43
 MACH,EXTENSION BOOM.....91, 93
 MACHINED,EXTENSION TUBE.....83
 MAGNET,NEODYMIUM,.375 X .100.....171
 MAN,FUNC,SM BOOM DC MACHINES....133-
 134
 MANIFOLD,ASSY DUAL CNTRBAL.....88
 MANIFOLD,FUNC,Z30N/Z34DC/BE....133-134
 MANIFOLD,FUNC,Z30NRJ.....133-134
 MANIFOLD,FUNC.Z30N,Z34DC,BE,N*.....133-
 134
 MANIFOLD,FUNCT MULTI Z-34BE....133-134
 MANIFOLD,FUNCTION***.....131
 MANIFOLD,JIB Z30N,Z34N,BE,DC.....137
 MANIFOLD,JIB Z30NRJ.....137
 MANIFOLD,JIB, 24V NON RJ***.....137
 MANIFOLD,JIB, 24V RJ***.....137
 MANIFOLD,JIB/ROTATE,24V.....137
 MANIFOLD,ROTATOR 200 DEG.....97-98
 MANIFOLD,ROTATOR,180 DEG.***.....88, 97-
 98
 MANIFOLD,STEER/BRAKE***.....129
 MANUAL BOX W/DECALS***.....107-108

MARKING TAGS,# 1-10,WIELAND.....61
 MARKING TAGS,# 11-20,WIELAND.....61
 MARKING TAGS,# 21-30,WIELAND.....61
 MARKING TAGS,# 31-40,WIELAND.....61
 MARKING TAGS,# 41-50,WIELAND**.....61
 MARKING TAGS,# 51-60,WIELAND.....61
 MESH,HALF HEIGHT LH Z20.....159
 MESH,HALF HEIGHT,4'.....159, 161
 MESH,HALF HEIGHT,5'.....161
 MESH,HALF SWING GATE***.....159, 161
 MICROSWITCH,13482 FOOTSWITCH.....107-
 108
 MICROSWITCH,V3L-139-D8.....123, 125
 MICROSWITCH-V319M.....123, 125
 MIDRAIL GUIDE (HOOK).....108
 MODULE,LOAD SENSE 2007.....71, 73
 MOTOR SEPEX 9".....35-38
 MOTOR, 24V (36179).....66, 69
 MOTOR,FUNCTION,48V DC.....65-66, 69
 MOTOR,TRACTION,D.C.**.....35-38
 MOTOR,TURNTABLE "O"RING PORTS.....51-
 52
 MOTOR,TURNTABLE,125CC***.....51-52
 MOTOR,TURNTABLE,ROLLER STATOR.....51-
 52
 MOUNT,SWITCH.....163
 MOUNTING PLATE, 45048.....127
 MOVING CONTACT (FOR PN 74267).....43

N

NIPPLE,DIAGNOSTIC,#4 PORT***...131, 133-
 134, 141
 NUT - PLASTIC,RING FOR ALARMS...71, 73,
 113, 119, 121, 151
 NUT,ACORN 3/8-16 PLATED.....77
 NUT,HEX,1-8.....87-88, 97-98
 NUT,HEX,1/4-20.....71, 73
 NUT,HEX,M8 X 1.25.....171
 NUT,HEX,M8,PLASTIC.....173
 NUT,JS,36867/42032/44988/40612.....123, 125
 NUT,LOCKING-LG.FLANGE,1/4-20.....55, 57-
 58, 61
 NUT,LOCKING-LG.FLANGE,5/16-18.....31, 33,
 41, 43
 NUT,LP NYLOCK,1/4-20.....29, 77, 101, 157,
 169, 175, 177, 179
 NUT,LP NYLOCK,10-32.....153
 NUT,LP NYLOCK,3/8-16.....83, 95, 157
 NUT,LP NYLOCK,5/16-18.....33
 NUT,LUG,5/8-18 X 90 DEGREE,Z45.....23, 25,
 38
 NUT,NYLOCK,1-8.....38
 NUT,NYLOCK,1/4-20.....23, 25, 27, 41, 51-52,
 55, 57-58, 61, 65-66, 71, 73, 83, 85, 88, 95,
 97-98, 105, 107-108, 159, 161, 163, 165, 171,
 173
 NUT,NYLOCK,10-24.....163, 169
 NUT,NYLOCK,10-32.....27, 51-52, 57-58, 61,
 71, 73, 107-108, 117, 151, 167
 NUT,NYLOCK,3/4-10,GRD.8.....88, 98
 NUT,NYLOCK,3/8-16.....29, 33, 51-52, 55, 65-
 66, 69, 77, 79, 87-88, 97-98, 101, 103, 107-
 108, 157, 163
 NUT,NYLOCK,5/16-18.....41, 167
 NUT,NYLOCK,6-32.....117
 NUT,RETAINER (96008).....63
 NUT,SOLENOID VALVE.....129, 131, 133-134,
 137
 NUT,SOLENOID,2POS 3WAY.....129

NUT,SPINDLE,1-14.....23, 25
 NUT-HEX,3M X 0.5MM.....123, 125
 NUT-THIN HEAVY HEX, 1/4-20.....33
 NUT-VALVE,PROP. SOLENOID-50683.....131
 NUTSERT,1/4-20,STEEL CAD PLTD....41, 43,
 55, 58, 61, 63, 111, 115, 117, 171, 173
 NUTSERT,10-32 STEEL CAD PLTD....41, 43,
 55

O

O-RING KIT (ORFS FITTINGS).....129, 133-
 134
 O-RING KIT, AUSCO 1200 IN/LB.....35-38
 O-RING KIT,FIELD SVC,ALL PROD*.....129,
 131, 133-134
 O-RING OR-151 N73038 (74994).....52
 O-RING, COVER 190X3MM (56828).....37-38
 O-RING, ROTATOR MANIFOLD.....88, 97-98
 O-RING, TORQUE HUB.....36-38
 O-RING,2-044 BUNA***.....35-38
 O-RING,END COVER,4HP/4HB***.....37-38
 O-RING,FILTER,RETURN TANK.....65-66
 O-RING,MOTOR TO BRAKE***.....38
 OPTION,CHARGER,UNIVERSAL Z30N.....27
 OPTION,CONTROL BOX COVER.....157, 161,
 169
 OPTION,CONTROL BOX COVER***.....157,
 161
 OPTION,PLATFORM LOADSENSE.....163
 OPTION,US 110V PLUG,UNI CHGR.....29
 ORIFICE PLUG,.025 (30551).....137
 ORIFICE PLUG,M6X1,0.025.....137
 ORIFICE, 0.028" (56179).....137
 ORIFICE, 0.035" (74512,74966).....134
 Other Brake Service Parts.....35-38
 OUTER CONE - MODEL 60-8.....23, 25
 OUTLET,110V GFCI***.....107-108, 111

P

PAD,REST,1"THICK,W/STUDS*.....83, 95
 PAD,UPPER PIVOT REST.....77, 101
 PADDING, FOAM 90 DEG.....173
 PANEL,GROUND CONTROL W/ DECAL.....63
 PCB,ASSY,42032 CONTROLLER.....123
 PIN,0.75DIA X 5.51LG,2RING.....83, 95
 PIN,0.75DIA X 5.75LG,CHAMFER.....163
 PIN,1.00DIA X 7.25LG,1HOLE.....79, 103
 PIN,1.00DIA X 9.01LG,THREADED.....83, 95
 PIN,1.25DIA X 10.38LG,1HOLE.....88, 97-98
 PIN,1.25DIA X 12.50LG,2HOLE.....88, 97-98
 PIN,1.25DIA X 3.00LG,THREADED.....79, 103
 PIN,1.25DIA X 3.63LG,THREADED.....79, 103
 PIN,1.25DIA X 5.70LG,2RING.....88
 PIN,1.25DIA X 6.36LG,2RING.....88
 PIN,1.25DIA X 7.00LG,1HOLE.....87-88
 PIN,1.25DIA X 7.64LG,2RING.....87-88
 PIN,1.25DIA X 8.12LG,1HOLE.....81
 PIN,1.25DIA X 9.13LG,1HOLE.....81
 PIN,1.25DIA X 9.63LG,1HOLE.....97-98
 PIN,1.25DIA X 9.63LG,1HOLE.....79, 103
 PIN,1.50DIA X 15.13LG,1HOLE.....79, 81, 103
 PIN,1.50DIA X 16.13LG,1HOLE.....79, 103
 PIN,1.50DIA X 3.25LG,1HOLE.....23, 25
 PIN,CLEVIS,75 X 2.25 LG.....31
 PIN,CLEVIS,1 X 2.5 LG.....23, 25
 PIN,CLEVIS,1 X 3 LG.....23, 25
 PIN,COTTER,.219 X 1.75.....23, 25
 PIN,LOCK,SHORT***.....161

SCREW,HHC,5/8-11 X 5.50 GR8 BO.....52	SEAL KIT,2.0" BORE CYLINDERS**.....23	SPRING,RETURN (74266).....41, 43
SCREW,HHC,5/8-11X4.50GR8 PLAIN.....51-52	SEAL KIT,42406,STEER.CYL,TEXAS.....23, 25	SPRING,RETURN,19549 CONTACTOR.....43
SCREW,HHTAPTITE THREAD8-32X.38.....65-66, 69	SEAL KIT,42407,42559 CYL,TEXAS.....81	SPRING,SHORT PLATFORM GATE.....161
SCREW,PHIL,PHM,10-32 X .5,SSTL.....71, 73, 117, 167	SEAL KIT,42411,42408 CYL,TEXAS.....95	SPRING-DRIVE MANIFOLD/520131.....129
SCREW,PHILLIPS,PHM,10-32 X .38.....43	SEAL KIT,74998.....83	STACK KIT, AUSCO 1200 IN/LB.....35-38
SCREW,PHILLIPS,PHM,10-32 X .5.....57-58, 61, 65-66	SEAL KIT,94218.....87-88	STATIONARY CONTACT (23417).....41
SCREW,PHILLIPS,PHM,10-32 X .75.....57-58, 61, 71, 73, 123, 125, 151, 153	SEAL KIT,ARCTIC,ROTATOR 15K***.....97-98	STRAINER ASSY 1"NPT TANK MTD.....65-66
SCREW,PHILLIPS,PHM,10-32 X1.25.....51-52	SEAL KIT,ARCTIC,ROTATOR 4.5K**.....87-88	STRAP, CONDUIT HOLDER 60".....157
SCREW,PHILLIPS,PHM,6-32 X .5.....117	SEAL KIT,BRAKE***.....35-38	STRAP,PIPE CRADLE , 30".....157
SCREW,PHILLIPS,PHM,8-32 X 1.25.....77, 81, 83, 101	SEAL KIT,BRAKE,MICO.....35-38	STROBE,BEACON, AC COMP 12-80V.....153
SCREW,PHILLIPS,PHM,8-32 X.25**.....63	SEAL KIT,CYLINDER***.....87-88	STROBE,FIREBOLT,12-80VDC,AMB**.....151
SCREW,PHILLIPS,PHM,8-32 X.375...107-108	SEAL KIT,HYDRAULIC FILTER ASSY.....65-66	STROBE,FIREBOLT12-72VDC,AMB***.....153
SCREW,PHILLIPS,RHM,10-32 X 1.5.....51-52, 163	SEAL KIT,MICO BRAKE.....35-38	STUD-WHEEL,5/8-18 (56828)***.....37-38
SCREW,PHM,M3 X .5 X 12MM.....123, 125	SEAL KIT,ROTATOR***.....87-88	SUPPORT, RAILING.....175
SCREW,PHM,M3.5 X 12MM (57890).....125	SEAL KIT,UNIVERSAL,9K ROTATOR*.....87-88	SVC KIT,UK RECEIPT.REPLACEMENT....107-108
SCREW,PHPM,10-32X.50,ZAG.....43	SEAL KIT,VALVE.....129	SWITCH ASSEMBLY (56886).....127
SCREW,RHM,10-32 X .75.....55	SEAL KIT,VALVE (48647).....133-134	SWITCH ASSY,REMOTE BRAKE REL.....63
SCREW,RHM,10-32 X 1.75.....95	SEAL KIT,WHEEL DRIVE,4HB***.....37-38	SWITCH TOGGLE ASSY DPDT 2P MNT...167
SCREW,SHC,1/2-13 X 1.50,A574.....51-52	SEAL KIT-AUSCO BRAKE(56272)***.....35-38	SWITCH TOGGLE ASSY DPDT 3P MOM...121
SCREW,SHC,1/2-13 X 3.00.....35-38	SEAL KIT-EXT CYL & SLAVE CYL.*.....81, 88	SWITCH TOGGLE ASSY SPDT 2P MOM...121
SCREW,SHC,1/2-13 X 3.25.....35-38	SEAL,NAT'L.#471818 (74994).....52	SWITCH TOGGLE ASSY SPDT 3P MOM...121
SCREW,SHC,1/4-28 X 0.75"-56528.....157	SEAL-GREASE,MODEL 60-8.....23, 25	SWITCH,LIMIT,W/6.25"SPRING ARM.....81, 83, 95
SCREW,SHC,3/8-24 X 1.25".....65-66, 69	SEAL/BEARING KIT (45043,54840).....23, 25	SWITCH,LIMIT,W/RLR ARM,NO/NC.....51-52
SCREW,SHC,5/8-11 X 3.00,A574.....36-38	SENSOR,LEVEL 3 DEG**.....55, 57-58, 61	SWITCH,LIMIT,W/ROLLER ARM***.....51-52, 77, 101
SCREW,SHC,5/8-11 X 4.25 BLK.....52	SENSOR,LEVEL 4.5***.....55, 57-58	SWITCH,PRESS,#6SAE,600 PSI F**.....129, 133-134
SCREW,SHC,5/8-11 X 4.5,A574.....52	SENSOR,LEVEL 4.5 DEG.....57-58, 61	SWITCH,ROLLER PLUNGER LIMIT.....163
SCREW,SHC,5/8-11 X 5.5.....51-52	SHAFT ASSY, JOYSTICK***.....123, 125	SWITCH,TOGGLE SPDT,2POS MOMEN...119
SCREW,SHM,PHP,#12 X .75.....117	SHAFT,WORM GEAR***.....51-52	SWITCH,TOGGLE,DPDT,2POS MOMEN...63, 113
SCREW,SHS,1/4-20 X .75,ZINCPLT.....171	SHIM KIT,TURNTABLE***.....51-52	SWITCH,TOGGLE,DPDT,3POS MOMEN...63, 113, 119
SCREW,TIMER,#8 PHMS X.375.....27	SHIM,PRIMARY BOOM,.022 THICK.....31	SWITCH,TOGGLE,SPDT,2 POS MAINT.....157
SEAL 21252875-375BYP2 (74994).....52	SHIM,PRIMARY BOOM,.052 THK.....31	S W I T C H , T O G G L E , S P D T , 3 P O S
SEAL AND BRG KIT,4.5K ROTATOR.....87-88, 97-98	SHIM,SIDE PAD 2GA.....83	MOMEN*.....63, 113, 119
SEAL AND BRG KIT,4.5K ROTATOR*.....87-88, 97-98	SHIM,WEAR PAD .030.....91, 93	
SEAL KIT.....97-98	SHIM,WEAR PAD,5X 1.5 16GA.....83	
SEAL KIT (21172).....51-52	SLIDING MIDRAIL KIT,PTD.....107-108	
SEAL KIT (74588).....81	SNAP PIN.....159	
SEAL KIT (74593).....87-88	SNAP RING (74994).....52	
SEAL KIT (88337)***.....23, 25	SNAP RING,EXTERNAL.....87-88, 97-98	
SEAL KIT (W1B) TORQUE HUBS.....36-38	SNAP RING,EXTERNAL,.75 DIA.....83, 95	
SEAL KIT 42412 ELEVATE**.....77, 101	SNAP RING,EXTERNAL,1.25 DIA.**.....88	
SEAL KIT***.....37-38, 51-52, 77, 83, 95, 101	SNAP RING,INT,2.88 DIA***.....51-52	
SEAL KIT, 15K ROTATOR.....97-98	SNAP RING,INTERNAL,2.88 DIA***.....51-52	
SEAL KIT, 37185 PUMP.....66, 69	SNAP RING,WHEEL DRIVE.....37-38	
SEAL KIT, 54861.....35-38	SOLENOID VALVE W/NUT***.....137	
SEAL KIT, 94213.....83	SPACER PLATE,PRIMARY SIDE.....91	
SEAL KIT, 94215, 94430.....81	SPACER PLATE,PRIMARY TOP.....91	
SEAL KIT, 94216.....81	SPACER,NYLON,718 X .526 X.219.....63, 119	
SEAL KIT, 94217.....88	SPACER-POT,PLATE,JOYSTICK56773.....125	
SEAL KIT, JIB MANIFOLD, NON RJ.....137	SPECS BATTERY CHARGER 48V/30A.....27	
SEAL KIT, JIB MANIFOLD, RJ***.....137	SPRING & BUSHING KIT,RETURN***.....123, 125	
SEAL KIT, SOLENOID VALVE.....129, 133-134	SPRING (RED) MICO.....35-38	
SEAL KIT, TORQUE HUB(74097)*.....37-38	SPRING ARM,LIMIT SWITCH,6.25".....81, 83, 95	
SEAL KIT, VALVE.....129, 133-134	SPRING CLIP, 5/16-18.....41, 43, 65-66, 69	
SEAL KIT, VALVE, #10.....133-134	SPRING CLIP,1/4-20,.025-.15X.5.....23, 25, 27, 29, 36-38, 61, 83, 95, 107-108	
SEAL KIT, VALVE, #4.....133-134	SPRING CLIP,3/8-16.....31, 33, 77, 101	
SEAL KIT,147138 & 147139.....83	SPRING SET (48504).....65-66, 69	
SEAL KIT,147141.....88	SPRING, BRUSH.....35-38	
SEAL KIT,147142.....87-88	SPRING, RETURN (FOR 74267).....43	
SEAL KIT,15K ROTATOR.....97-98	SPRING, RETURN (FOR 74268).....41, 43	
SEAL KIT,2" BORE,1" ROD***.....23	SPRING, SS, 1/2-EO500-49-4500.....173	
	SPRING,COMP,1" OD,232 LB/IN.....163	
	SPRING,EXTENSION,.36 X 1.25.....71, 73	
	SPRING,EXTENSION,.75X4.5.....171, 173	
	SPRING,RETURN.....41, 43	

T

T-BOX,2.75 X 4.5 X 2.0.....107-108, 111
TANK BREATHER,NYLON **.....69
TAPE, PROTECTIVE MASK.....18
TAPE,NON-SKID,1" WIDE,BULK.....157
TEE,RUN,520428-4.....139
TEE,RUN,SWIVEL,520432-6.....145
TERM,DEUTSCH, PIN #12-14.....117
TERM,NI PIN, 14-16GA,BULK.....117
TERM,NI PIN,S&F,16-18GA,REEL.....117
TERM,NI SOC,S&F,16-18GA,REEL.....51-52
TERM,BUSS,10POLE,JOYSTICK56773.....125
TERMINAL BLOCK END PLATE.....61
TERMINAL BLOCK(SINGLE),WAGO***.....55, 57-58
TERMINAL BLOCK,WIAGO,3-WIRE.....57-58
TERMINAL BLOCK,WIELAND.....57-58, 61
TERMINAL BUSS,JOYSTICK(42032).....123
TERMINAL RAIL.....57-58
TERMINAL RAIL ASSY***.....57-58
TERMINAL RAIL, Z30/34DC.....61
TERMINAL STRIP.....115, 117
TERMINAL STRIP END PLATE.....55
TERMINAL,FEMALE COUPLER,BLUE.....153
TERMINAL,MOLEX 16 GAUGE.....43
TERMINAL RAIL ASSY,Z30N,Z34.....57-58
THRUST CAP (20193).....37-38
THUMB SCREW W/SHOULDER 3/8-16.....31, 33
TIE ROD,WELDMENT,Z30N**.....23, 25

This Page Intentionally Left Blank

Fitting Cross References

Genie PN	Parker PN	Description	Genie PN	Parker PN	Description
12342	6-4 F5OX-S	CONNECTOR,STRAIGHT THREAD TO FLARE TUBE	42794	1 CR-S	ELBOW,90°,MALE PIPE
13757	4 R6X-S	RUN TEE,SWIVEL NUT,ORFS	42795	BV-0839	BALL VALVE
19685	12-10 C5OX-S	ELBOW,90°,STRAIGHT THREAD TO FLARE TUBE	42796	BV-0838	BALL VALVE
22664	12-10 C5OX	ELBOW,90°,STRAIGHT THREAD TO FLARE TUBE	42874	6-8 CLO-S	ELBOW,90°,MALE PIPE TO ORFS
27431	8-12 F5OX-S	CONNECTOR,STRAIGHT THREAD TO FLARE TUBE	42912	13943-6-4	HOSE END,90° FEMALE SWIVEL,JIC
28678	AS-B-33	SLEEVE,NYLON,1.81" ID	42920	BV-0840	BALL VALVE,90°
39871	6 WETX-WLN-S	UNION,90° BULKHEAD W/NUT,FLARE TUBE	42932	AS-B-17	SLEEVE,NYLON,1.22" ID
39872	4 R5OX-S	RUN TEE,STRAIGHT THREAD	42936	10243-2-4	HOSE END,FEMALE PIPE
39873	6 C5OX-S	ELBOW,90°,STRAIGHT THREAD TO FLARE TUBE	42953	1/2 DD-S	ELBOW,90°,FEMALE PIPE
39874	8-6 C5OX-S	ELBOW,90°,STRAIGHT THREAD TO FLARE TUBE	42956	6 WELO-WLNL-S	UNION,90° BULKHEAD W/NUT,ORFS
39875	4-6 C5OX-S	ELBOW,90°,STRAIGHT THREAD TO FLARE TUBE	45349	8 V5OX-S	ELBOW,45°,STRAIGHT THREAD TO FLARE TUBE
39876	6-8 C5OX-S	ELBOW,90°,STRAIGHT THREAD TO FLARE TUBE	45351	4 V5OX-S	ELBOW,45°,STRAIGHT THREAD TO FLARE TUBE
39877	4 F5OX-S	CONNECTOR,STRAIGHT THREAD TO FLARE TUBE	47223	10343-6-6	HOSE END,MALE,JIC
39878	6 F5OX-S	CONNECTOR,STRAIGHT THREAD TO FLARE TUBE	47419	PS690503-6-6	SWIVEL,90°,STRAIGHT THREAD TO 37° FLARE
39879	4-8 F5OX-S	CONNECTOR,STRAIGHT THREAD TO FLARE TUBE	48750	421-4	HOSE,1/4 INCH ID
39880	6-10 F5OX-S	CONNECTOR,STRAIGHT THREAD TO FLARE TUBE	48751	481TC-4	HOSE,1/4 INCH ID
39881	4-6 F5OX-S	CONNECTOR,STRAIGHT THREAD TO FLARE TUBE	48752	482TC-4	HOSE,1/4 INCH ID
39882	4-HP5ON-S	PLUG,STRAIGHT THREAD	48753	451TC-6	HOSE,3/8 INCH ID
39883	8-8 FTX-S	CONNECTOR,MALE PIPE TO FLARE TUBE	48754	482TC-6	HOSE,3/8 INCH ID
39885	269HB 12-12	ELBOW,90°,BEADED HOSE BARB TO MALE PIPE	48755	381-6	HOSE,3/8 INCH ID
39886	431-6	HOSE,3/8 INCH ID	48756	451TC-8	HOSE,1/2 INCH ID
39887	540N-2	HOSE,1/8 INCH ID	48757	482TC-8	HOSE,1/2 INCH ID
39888	801-8	HOSE,1/2 INCH ID	48758	381-8	HOSE,1/2 INCH ID
39889	801-12	HOSE,3/4 INCH ID	48759	381-10	HOSE,5/8 INCH ID
39890	10643-6-6	HOSE END,FEMALE SWIVEL,JIC	48760	451TC-10	HOSE,5/8 INCH ID
39891	13943-6-6	HOSE END,90° FEMALE SWIVEL,JIC	48761	482TC-12	HOSE,3/4 INCH ID
39892	13743-6-6	HOSE END,45° FEMALE SWIVEL,JIC	48762	451TC-12	HOSE,3/4 INCH ID
39894	30682-8-8	HOSE END,FEMALE SWIVEL,JIC	48763	772-12	HOSE,3/4 INCH ID
39895	30682-10-12	HOSE END,FEMALE SWIVEL,JIC	48764	881-16	HOSE,1 INCH ID
42286	8-8 CTX-S	ELBOW,90°,MALE PIPE TO FLARE TUBE	48765	772-16	HOSE,1 INCH ID
42756	8-12 CLO-S	ELBOW,90,MALE PIPE TO ORFS	48766	AS-B-15	SLEEVE,NYLON,1.06" ID
42757	8-12 FLO-S	CONNECTOR,MALE PIPE TO ORFS	48767	AS-B-22	SLEEVE,NYLON,1.42" ID
42758	4 JLO-S	UNION TEE,ORFS	48770	881-8	HOSE,1/2 INCH ID
42759	4-4 FLO-S	CONNECTOR,MALE PIPE TO ORFS			
42760	6-8 FLO-S	CONNECTOR,MALE PIPE TO ORFS			
42761	1J143-6-4	HOSE END,90° FEMALE SWIVEL,SEAL LOK			
42762	1J743-6-4	HOSE END,45° FEMALE SWIVEL,SEAL LOK			
42768	1JO43-4-4	HOSE END,MALE,SEAL LOK			
42776	601-8	HOSE,1/2 INCH ID			
42777	1J743-16-16	HOSE END,45° FEMALE SWIVEL,SEAL LOK			
42786	16 CLO-S	ELBOW,90°,MALE PIPE TO ORFS			
42787	16 R6LO-S	RUN TEE,SWIVEL NUT,ORFS			
42788	16-8 TRLO-BL-S	REDUCER,TUBE END TO SWIVEL,ORFS			
42789	6-6 CLO-S	ELBOW,90°,MALE PIPE TO ORFS			
42790	8-10 V5OLO-S	ELBOW,45°,STRAIGHT THREAD TO ORFS			
42791	3/4 CD-S	ELBOW,90°,MALE TO FEMALE PIPE			
42792	3/4 X 1/2 PTR-S	REDUCER,MALE TO FEMALE PIPE			
42793	1/2 CR-S	ELBOW,90°,MALE PIPE			

Fitting Cross References (Continued)

Genie PN	Parker PN	Description	Genie PN	Parker PN	Description
48771	881-10	HOSE,5/8 INCH ID	48847	13943-12-12	HOSE END,90° FEMALE SWIVEL,JIC
48772	381-4	HOSE,1/4 INCH ID	48848	10543-12-12	HOSE END,MALE,STRAIGHT THREAD
48773	AS-B-13	SLEEVE,NYLON,.86" ID	48849	1JC71-12-12	HOSE END,FEMALE SWIVEL,SEAL LOK
48800	1JC43-4-4	HOSE END,FEMALE SWIVEL,SEAL LOK	48850	1JS71-12-12	HOSE END,FEMALE SWIVEL,SEAL LOK
48801	1J743-4-4	HOSE END,45° FEMALE SWIVEL,SEAL LOK	48851	1J171-12-12	HOSE END,90° FEMALE SWIVEL,SEAL LOK
48802	1J943-4-4	HOSE END,90° FEMALE SWIVEL,SEAL LOK	48852	1J771-12-12	HOSE END,45° FEMALE SWIVEL,SEAL LOK
48804	1JM43-4-4	HOSE END,MALE,SEAL LOK, NO O-RING	48853	1J971-12-12	HOSE END,90° FEMALE SWIVEL,SEAL LOK
48805	10643-4-4	HOSE END,FEMALE SWIVEL,JIC	48854	1JC43-16-16	HOSE END,FEMALE SWIVEL,SEAL LOK
48806	13943-4-4	HOSE END,90° FEMALE SWIVEL,JIC	48855	1J943-16-16	HOSE END,90° FEMALE SWIVEL,SEAL LOK
48807	1JS43-4-4	HOSE END,FEMALE SWIVEL,SEAL LOK	48856	1J171-16-16	HOSE END,90° FEMALE SWIVEL,SEAL LOK
48808	3JC82-8-8	HOSE END,FEMALE SWIVEL,SEAL LOK	48857	1J971-16-16	HOSE END,90° FEMALE SWIVEL,SEAL LOK
48809	3JC82-12-12	HOSE END,FEMALE SWIVEL,SEAL LOK	48859	1JS43-8-4	HOSE END,FEMALE SWIVEL,SEAL LOK
48810	1JC43-6-4	HOSE END,FEMALE SWIVEL,SEAL LOK	48867	PD36BTL	DIAGNOSTIC NIPPLE,SEAL-LOK SWIVEL
48811	1J943-6-4	HOSE END,90° FEMALE SWIVEL,SEAL LOK	48873	6 PNLO-S	PLUG,TUBE END,ORFS
48812	1JC43-6-6	HOSE END,FEMALE SWIVEL,SEAL LOK	48874	6 PNTX-S	PLUG,FLARE TUBE
48813	1J143-6-6	HOSE END,90° FEMALE SWIVEL,SEAL LOK	48875	6 R6LO-S	RUN TEE,SWIVEL NUT,ORFS
48814	1J543-6-6	HOSE END,90° FEMALE SWIVEL,SEAL LOK	48877	4 F5OLO-SW/.025	CONNECTOR,STRAIGHT THREAD TO ORFS, W/.025 ORI
48815	1J743-6-6	HOSE END,45° FEMALE SWIVEL,SEAL LOK	48878	16-12 C5OLO-S	ELBOW,90°,STRAIGHT THREAD TO ORFS
48816	1J943-6-6	HOSE END,90° FEMALE SWIVEL,SEAL LOK	48879	8 C6LO-S	ELBOW,90°,SWIVEL NUT ORFS
48817	1JS43-6-8	HOSE END,FEMALE SWIVEL,SEAL LOK	48880	PD6-285	CAP,DIAGNOSTIC NIPPLE
48818	1J943-8-4	HOSE END,90° FEMALE SWIVEL,SEAL LOK	48881	6 HLO-S	UNION,ORFS
48819	1JC43-8-6	HOSE END,FEMALE SWIVEL,SEAL LOK	48883	8 P5ON-S	PLUG,STRAIGHT THREAD
48820	1J743-8-6	HOSE END,45° FEMALE SWIVEL,SEAL LOK	48884	8M18F87OMLO-S	CONNECTOR,METRIC,STRAIGHT THREAD TO ORFS
48821	1J943-8-6	HOSE END,90° FEMALE SWIVEL,SEAL LOK	48885	4 WGTX-WLN-S	CONNECTOR,BULKHEAD,FEMALE PIPE TO FLARE TUBE
48822	1JC43-8-8	HOSE END,FEMALE SWIVEL,SEAL LOK	48886	4 F5OLO-SW/2MM	CONNECTOR,MACHINED STRAIGHT THREAD TO ORFS
48823	1JS43-8-8	HOSE END,FEMALE SWIVEL,SEAL LOK	48887	4 CTX-S	ELBOW,90°,MALE PIPE TO FLARE TUBE
48824	1J143-8-8	HOSE END,90° FEMALE SWIVEL,SEAL LOK	48888	10-12 V5OLO-S	ELBOW,45°,STRAIGHT THREAD TO ORFS
48825	1J543-8-8	HOSE END,90° FEMALE SWIVEL,SEAL LOK	48890	4 S5OLO-S	BRANCH TEE,STRAIGHT THREAD TO ORFS
48826	1J743-8-8	HOSE END,45° FEMALE SWIVEL,SEAL LOK	48891	4 S6LO-S	BRANCH TEE,SWIVEL NUT TO ORFS
48827	1J943-8-8	HOSE END,90° FEMALE SWIVEL,SEAL LOK			
48828	1JC43-10-8	HOSE END,FEMALE SWIVEL,SEAL LOK			
48829	1JS43-10-8	HOSE END,FEMALE SWIVEL,SEAL LOK			
48830	1J743-10-8	HOSE END,45° FEMALE SWIVEL,SEAL LOK			
48831	1J943-10-8	HOSE END,90° FEMALE SWIVEL,SEAL LOK			
48833	1JC43-10-10	HOSE END,FEMALE SWIVEL,SEAL LOK			
48834	1J943-10-10	HOSE END,90° FEMALE SWIVEL,SEAL LOK			
48835	1JS43-10-12	HOSE END,FEMALE SWIVEL,SEAL LOK			
48836	1JC43-12-8	HOSE END,FEMALE SWIVEL,SEAL LOK			
48837	1JS43-12-8	HOSE END,FEMALE SWIVEL,SEAL LOK			
48838	1J743-12-8	HOSE END,45° FEMALE SWIVEL,SEAL LOK			
48839	1J943-12-8	HOSE END,90° FEMALE SWIVEL,SEAL LOK			
48840	1J943-12-10	HOSE END,90° FEMALE SWIVEL,SEAL LOK			
48841	1JC43-12-12	HOSE END,FEMALE SWIVEL,SEAL LOK			
48842	1JO43-12-12	HOSE END,MALE,SEAL LOK			
48843	1J143-12-12	HOSE END,90° FEMALE SWIVEL,SEAL LOK			
48844	1J543-12-12	HOSE END,90° FEMALE SWIVEL,SEAL LOK			
48845	1J743-12-12	HOSE END,45° FEMALE SWIVEL,SEAL LOK			
48846	1J943-12-12	HOSE END,90° FEMALE SWIVEL,SEAL LOK			

Fitting Cross References (Continued)

Genie PN	Parker PN	Description	Genie PN	Parker PN	Description
48892	6 C6LO-S	ELBOW,90°,SWIVEL NUT ORFS	48938	8 R6LO-S	RUN TEE,SWIVEL NUT,ORFS
48893	6 F5OHAO-S	UNION,STRAIGHT THREAD	48939	8 S6LO-S	BRANCH TEE,SWIVEL NUT TO ORFS
48894	8 WLO-WLNL-S	UNION,BULKHEAD,ORFS	48940	8 WJLO-WLNL-S	RUN TEE, BULKHEAD,ORFS
48895	DT-370-MSMO-5	VALVE,CHECK	48941	8-4 TRLO-S	REDUCER,TUBE END TO SWIVEL,ORFS
48896	6 JLO-S	UNION,TEE,ORFS	48942	8-6 C5OLO-S	ELBOW,90°,STRAIGHT THREAD TO ORFS
48897	DT-750-MSMS-5	VALVE,CHECK	48943	8-6 F5OLO-S	CONNECTOR,STRAIGHT THREAD TO ORFS
48898	DT-750-MOMS-5	VALVE,CHECK	48944	8-8 FLO-S	CONNECTOR,MALE PIPE TO ORFS
48899	DT-620-MOMS-5	VALVE,CHECK	48945	8 FTX-S	CONNECTOR,MALE PIPE TO FLARE TUBE
48900	4-6 F5OLO-SW/.035	CONNECTOR,STRAIGHT THREAD TO ORFS, W/.035 ORI	48946	8-10 F5OLO-S	CONNECTOR,STRAIGHT THREAD TO ORFS
48902	16-1 AOE4G-S	ELBOW,90° LONG,FEMALE PIPE TO STRAIGHT THREAD	48947	8-12 C5OLO-S	ELBOW,90°,STRAIGHT THREAD TO ORFS
48903	1 FF-S	NIPPLE,PIPE	48948	8-12 F5OLO-S	CONNECTOR,STRAIGHT THREAD TO ORFS
48904	4 C5OLO-S	ELBOW,90°,STRAIGHT THREAD TO ORFS	48949	8-16 F5OLO-S	CONNECTOR,STRAIGHT THREAD TO ORFS
48905	4 F5OLO-S	CONNECTOR,STRAIGHT THREAD TO ORFS	48950	10 C5OLO-S	ELBOW,90°,STRAIGHT THREAD TO ORFS
48906	4 R5OLO-S	RUN TEE,STRAIGHT THREAD	48951	10 CC5OLO-S	ELBOW,90° LONG,STRAIGHT THREAD TO ORFS
48907	4 V5OLO-S	ELBOW,45°,STRAIGHT THREAD TO ORFS	48952	10 F5OLO-S	CONNECTOR,STRAIGHT THREAD TO ORFS
48908	4 R6LO-S	RUN TEE,SWIVEL NUT,ORFS	48953	10 R5OLO-S	RUN TEE,STRAIGHT THREAD
48909	4 WJLO-WLNL-S	RUN TEE, BULKHEAD,ORFS	48954	10 S5OLO-S	BRANCH TEE,STRAIGHT THREAD TO ORFS
48910	4 GTX-S W/.030	CONNECTOR,FEMALE PIPE TO FLARE TUBE	48955	10 R6LO-S	RUN TEE,SWIVEL NUT,ORFS
48911	4-6 C5OLO-S	ELBOW,90°,STRAIGHT THREAD TO ORFS	48956	10-4 TRLO-BL-S	REDUCER,TUBE END TO SWIVEL,ORFS
48912	4-6 F5OLO-S	CONNECTOR,STRAIGHT THREAD TO ORFS	48957	10-6 TRLO-BL-S	REDUCER,TUBE END TO SWIVEL,ORFS
48913	4-6 F5OLO-SW/.030	CONNECTOR,STRAIGHT THREAD TO ORFS, W/.030 ORI	48958	10-12 F5OLO-S	CONNECTOR,STRAIGHT THREAD TO ORFS
48914	4-8 F5OLO-S	CONNECTOR,STRAIGHT THREAD TO ORFS	48959	12 C5OLO-S	ELBOW,90°,STRAIGHT THREAD TO ORFS
48915	6 C5OLO-S	ELBOW,90°,STRAIGHT THREAD TO ORFS	48960	12 F5OLO-S	CONNECTOR,STRAIGHT THREAD TO ORFS
48916	6 F5OLO-S	CONNECTOR,STRAIGHT THREAD TO ORFS	48961	12 R5OLO-S	RUN TEE,STRAIGHT THREAD
48917	6 FF5OLO-S	CONNECTOR,LONG,STRAIGHT THREAD TO ORFS	48962	12 S5OLO-S	BRANCH TEE,STRAIGHT THREAD TO ORFS
48918	6 R5OLO-S	RUN TEE,STRAIGHT THREAD	48963	12 V5OLO-S	ELBOW,45°,STRAIGHT THREAD TO ORFS
48919	6 S5OLO-S	BRANCH TEE,STRAIGHT THREAD TO ORFS	48964	12 R6LO-S	RUN TEE,SWIVEL NUT,ORFS
48920	6 V5OLO-S	ELBOW,45°,STRAIGHT THREAD TO ORFS	48965	12 CLO-S	ELBOW,90°,MALE PIPE TO ORFS
48921	6 FLO-S	CONNECTOR,MALE PIPE TO ORFS	48966	12 FLO-S	CONNECTOR,MALE PIPE TO ORFS
48922	6-6 FLO-S	CONNECTOR,MALE PIPE TO ORFS	48967	12 JLO-S	UNION TEE,ORFS
48923	6 P5ON-S	PLUG,STRAIGHT THREAD	48968	12 WLO-WLNL-S	UNION,BULKHEAD,ORFS
48925	6 WELO-S	UNION,90° BULKHEAD,ORFS	48969	12 WJLO-WLNL-S	RUN TEE, BULKHEAD,ORFS
48926	6-4 C5OLO-S	ELBOW,90°,STRAIGHT THREAD TO ORFS	48970	12 WELO-WLNL-S	UNION,90° BULKHEAD W/NUT,ORFS
48927	6-4 F5OLO-S	CONNECTOR,STRAIGHT THREAD TO ORFS			
48928	6-4 V5OLO-S	ELBOW,45°,STRAIGHT THREAD TO ORFS			
48929	6-8 C5OLO-S	ELBOW,90°,STRAIGHT THREAD TO ORFS			
48930	6-8 F5OLO-S	CONNECTOR,STRAIGHT THREAD TO ORFS			
48931	6-10 F5OLO-S	CONNECTOR,STRAIGHT THREAD TO ORFS			
48932	8 C5OLO-S	ELBOW,90°,STRAIGHT THREAD TO ORFS			
48933	8 F5OLO-S	CONNECTOR,STRAIGHT THREAD TO ORFS			
48934	8 FF5OLO-S	CONNECTOR,LONG,STRAIGHT THREAD TO ORFS			
48935	8 R5OLO-S	RUN TEE,STRAIGHT THREAD			
48936	8 S5OLO-S	BRANCH TEE,STRAIGHT THREAD TO ORFS			
48937	8 V5OLO-S	ELBOW,45°,STRAIGHT THREAD TO ORFS			

Fitting Cross References (Continued)

Genie PN	Parker PN	Description	Genie PN	Parker PN	Description
48971	12 G5G5JG5-S	TEE,FEMALE STRAIGHT THREAD	49612	PKT02586	O-RING KIT (ORFS FITTINGS)
48972	12 XHL6-S	ADAPTER, 37° MALE TO SWIVEL ORFS	49613	PKT06276	PLUG AND CAP KIT-SERVICE,ORFS
48973	12-1/2 F5OG-S	ADAPTER,FEMALE PIPE TO STRAIGHT THREAD	49728	10143-12-12	HOSE END, MALE PIPE
48974	12-10 C5OLO-S	ELBOW,90°,STRAIGHT THREAD TO ORFS	49729	16-1 F5OG-S	ADAPTER,FEMALE PIPE TO STRAIGHT THREAD
48975	12-10 F5OLO-S	CONNECTOR,STRAIGHT THREAD TO ORFS	49814	12-8 FLO-S	CONNECTOR,MALE PIPE TO ORFS
48976	12-16 C5OLO-S	ELBOW,90°,STRAIGHT THREAD TO ORFS	49829	DT-500-MOMF-5	VALVE,CHECK
48977	12-16 F5OLO-S	CONNECTOR,STRAIGHT THREAD TO ORFS	49831	881-12	HOSE,3/4 INCH ID
48978	12-16 V5OLO-S	ELBOW,45°,STRAIGHT THREAD TO ORFS	49834	16 JLO-S	UNION TEE,ORFS
48980	12-16 FLO-S	CONNECTOR,MALE PIPE TO ORFS	49838	12-8 TRLO-BL-S	REDUCER,TUBE END TO SWIVEL,ORFS
48983	16 C5OLO-S	ELBOW,90°,STRAIGHT THREAD TO ORFS	49840	8 JLO-S	UNION TEE,ORFS
48984	16 F5OLO-S	CONNECTOR,STRAIGHT THREAD TO ORFS	49844	10-8 TRLO-BL-S	REDUCER,TUBE END TO SWIVEL,ORFS
48985	16 V5OLO-S	ELBOW,45°,STRAIGHT THREAD TO ORFS	49854	8 P5ON-S	PLUG,STRAIGHT THREAD
48986	16 FLO-S	CONNECTOR,MALE PIPE TO ORFS	49855	1JC43-16-12	HOSE END,FEMALE SWIVEL,SEAL LOK
48988	16 CD45-S	ELBOW,45°,MALE TO FEMALE PIPE	49859	4 P5ON-S	PLUG,STRAIGHT THREAD
48989	12 CD45-S	ELBOW,45°,MALE TO FEMALE PIPE	49861	4 FF5OLO-S	CONNECTOR,LONG,STRAIGHT THREAD TO ORFS
48990	8 CD45-S	ELBOW,45°,MALE TO FEMALE PIPE	49867	12-3/4 F5OG-S	ADAPTER,FEMALE PIPE TO STRAIGHT THREAD
48991	16-12 FLO-S	CONNECTOR,MALE PIPE TO ORFS	51152	6 R6X-S	RUN TEE,SWIVEL NUT,ORFS
48992	16-12 V5OLO-S	ELBOW,45°,STRAIGHT THREAD TO ORFS	51153	6-4 TRTX-S	REDUCER,TUBE END TO SWIVEL,ORFS
48993	XV501-12	BALL VALVE	51154	4-4 GTX	CONNECTOR,FEMALE PIPE TO FLARE TUBE
48994	XV501-16	BALL VALVE	51264	881-12	HOSE,3/4 INCH ID
48995	XV510P-12	BALL VALVE	51265	8 JLO-S	UNION TEE,ORFS
48996	XV510P-16	BALL VALVE	51508	6 BTX-S	NUT,FLARE TUBE
48997	PD341	DIAGNOSTIC NIPPLE, STRAIGHT THREAD	51580	12-8 TRLO-BL-S	TUBE END REDUCER,ORFS
48998	PD 361	DIAGNOSTIC NIPPLE, STRAIGHT THREAD	51628	6 R6X-S	RUN TEE,SWIVEL NUT,ORFS
48999	DT-500-MOMS-5	VALVE,CHECK	51735	3/8 HHP	PLUG,PIPE THREAD
49201	10 V5OLO-S	ELBOW,45°,STRAIGHT THREAD TO ORFS	51803	1J943-6-8	HOSE END,90° FEMALE SWIVEL,SEAL LOK
49202	1JC43-12-10	HOSE END,FEMALE SWIVEL,SEAL LOK	53023	125HBL-5-4	FITTING,HOSE BARB TO MALE PIPE
49203	10-8 V5OLO-S	ELBOW,45°,STRAIGHT THREAD TO ORFS	53497	PKT02585	O-RING KIT
49205	6 F5OHAO-S	UNION,STRAIGHT THREAD	53499	1JC71-16-16	HOSE END,FEMALE SWIVEL,SEAL LOK
49207	PD34BTL	DIAGNOSTIC NIPPLE,SEAL-LOK SWIVEL	53500	3-904	O-RING,STRAIGHT THREAD,-4
49209	8M18F870MX-S	CONNECTOR,METRIC,STRAIGHT THREAD TO FLARE TUBE	53501	3-906	O-RING,STRAIGHT THREAD,-6
49212	8 WGTX-WLN-S	CONNECTOR,BULKHEAD,FEMALE PIPE TO FLARE TUBE	53502	3-908	O-RING,STRAIGHT THREAD,-8
49213	30682-8-8	HOSE END,FEMALE SWIVEL,JIC	53503	3-910	O-RING,STRAIGHT THREAD,-10
49216	831-8	HOSE,1/2 INCH ID			
49217	33982-8-8	HOSE END,90° FEMALE SWIVEL,JIC			
49219	PS-B-35	SLEEVE,NYLON,2.19" ID			
49418	4-6 V5OLO-S	ELBOW,45°,STRAIGHT THREAD TO ORFS			
49511	DT370-MOMS-5	VALVE,CHECK			
49512	1 DD-S	ELBOW,90°,FEMALE PIPE			
49513	1 FF-S	NIPPLE,PIPE			
49514	10 HP5ON-S	PLUG,STRAIGHT THREAD			
49515	12-16 CLO-S	ELBOW,90°,MALE PIPE TO ORFS			
49517	6 HP5ON-S	PLUG,STRAIGHT THREAD			
49519	16-12 F5OLO-S	CONNECTOR,STRAIGHT THREAD TO ORFS			
49520	4 VTX-S	ELBOW,45°,MALE PIPE TO FLARE TUBE			
49530	16 C6LO-S	ELBOW,90°,SWIVEL NUT ORFS			

Fitting Cross References (Continued)

Genie PN	Parker PN	Description	Genie PN	Parker PN	Description
53535	3-912	O-RING, STRAIGHT THREAD, -12	61083	24 F5OLO-S	CONNECTOR, STRAIGHT THREAD TO ORFS
53536	4-PNLO-S	PLUG, TUBE END, ORFS	61086	20 R5OLO-S	RUN TEE, STRAIGHT THREAD
53537	6 PNLO-S	PLUG, TUBE END, ORFS	61090	24-20 F5OLO-S	CONNECTOR, STRAIGHT THREAD TO ORFS
53538	8 PNLO-S	PLUG, TUBE END, ORFS	61091	1J943 24-24	HOSE END, 90° FEMALE SWIVEL, SEAL LOK
53539	10 PNLO-S	PLUG, TUBE END, ORFS	61093	1J978-12-12	HOSE END, 90° FEMALE SWIVEL, JIC
53540	12 PNLO-S	PLUG, TUBE END, ORFS	61095	1JS43-20-16	HOSE END, FEMALE SWIVEL, SEAL LOK
53946	129HB-5-4	FITTING, 90° HOSE BARB TO MALE PIPE	61100	811-24	HOSE, 1 1/2 INCH ID
53951	8-1/4F50G-S	ADAPTER, FEMALE PIPE TO STRAIGHT THREAD	61130	1JS43-24-24	HOSE END, FEMALE SWIVEL, SEAL LOK
53980	6 S6LO-S	BRANCH TEE, SWIVEL NUT TO ORFS	61131	1JS78 12-12	HOSE END, FEMALE SWIVEL, SEAL LOK
54132	4 C6LO-S	ELBOW, 90°, SWIVEL NUT ORFS	61132	1J778-12-12	HOSE END, 45° FEMALE SWIVEL, JIC
54135	11343-16-16	HOSE END, MALE SWIVEL, PIPE	61152	139HB-6-4	ELBOW, 45°, BARB TO MALE PIPE
54283	8-10 C5OLO-S	ELBOW, 90°, STRAIGHT THREAD TO ORFS	61251	BV-0750	BALL VALVE
54428	8M18C870MLO-S	ELBOW, 90° METRIC, STRAIGHT THREAD TO ORFS	61259	4 CC5OLO-S	ELBOW, 90° LONG, STRAIGHT THREAD TO ORFS
54803	FS-F-16-10	SLEEVE, FIRE, .96" ID	61260	20-12 TRLO-BL	REDUCER, TUBE END TO SWIVEL, ORFS
54954	10143-2-4	HOSE END, MALE PIPE	61262	12 C6LO-S	ELBOW, 90°, SWIVEL NUT ORFS
55190	3/8 HP-S	PLUG, PIPE THREAD	61263	20 F5OHAO-S	UNION, STRAIGHT THREAD
55448	8 HLO-S	UNION, ORFS	61264	6-10 C5OLO-S	ELBOW, 90°, STRAIGHT THREAD TO ORFS
55839	6 F65OX-S	CONNECTOR, STRAIGHT THREAD TO 37° SWIVEL	61265	6 WNLO-WLNL-S	UNION, BULKHEAD 45°, ORFS
55968	10 C5OX-S	ELBOW, 90°, STRAIGHT THREAD TO FLARE TUBE	61268	4 WNLO-WLNL-S	UNION, BULKHEAD 45°, ORFS
56003	6 CC5OLO-S	ELBOW, 90° LONG, STRAIGHT THREAD TO ORFS	61269	4 WLO-WLNL-S	UNION, BULKHEAD, ORFS
56166	BV-0837	BALL VALVE, 90°	61272	12 AOEL6	ELBOW, 90°, STRAIGHT THREAD TO ORFS SWIVEL
56188	10143-8-6	HOSE END, MALE PIPE	61316	482TC-16	HOSE, 1 INCH ID
56233	2-011	O-RING, ORFS, -4	61321	6 JLO-S	UNION TEE, ORFS
56234	2-012	O-RING, ORFS, -6	61327	782-12	HOSE, 3/4 INCH ID
56235	2-014	O-RING, ORFS, -8	61328	881-24	HOSE, 1 1/2 INCH ID
56236	2-016	O-RING, ORFS, -10	61336	11943-20-24	HOSE END, 90° FLANGE HEAD
56237	2-018	O-RING, ORFS, -12	61345	12 WJLO-WLNL-S	RUN TEE, BULKHEAD, ORFS
56238	2-021	O-RING, ORFS, -16	61346	8 WNLO-WLNL-S 4	UNION, BULKHEAD 45°, ORFS
56352	6 WLNL-S	LOCKNUT, BULKHEAD	61569	33782-8-8	HOSE END, 45° FEMALE SWIVEL, JIC
56353	3J782-12-12	HOSE END, 45° FEMALE SWIVEL, SEAL LOK	61610	12 FF5OLO-S	CONNECTOR, LONG, STRAIGHT THREAD TO ORFS
56354	3J982-12-12	HOSE END, 90° FEMALE SWIVEL, SEAL LOK	61742	1/8 X 1.5 FFF	NIPPLE, PIPE
56604	10-8 F5OLO-S	CONNECTOR, STRAIGHT THREAD TO ORFS	63426	8 PNTX-S	PLUG, FLARE TUBE
56639	3JC82-10-10	HOSE END, FEMALE SWIVEL, SEAL LOK			
56640	3J982-10-10	HOSE END, 90° FEMALE SWIVEL, SEAL LOK			
56655	3JC82-8-10	HOSE END, FEMALE SWIVEL, SEAL LOK			
56676	10-8 C5OLO-S	ELBOW, 90°, STRAIGHT THREAD TO ORFS			
56776	471TC-6	HOSE, 3/8 INCH ID			
56777	471TC-8	HOSE, 1/2 INCH ID			
56789	811-16	HOSE, 1 INCH ID			
57884	3/8 FF	NIPPLE, PIPE			
59335	6 FNL-S	CAP, TUBE END			
59342	4 FNL-S	CAP, TUBE END			
59371	8 HP5ON-S	PLUG, STRAIGHT THREAD			
60653	BV-0751	BALL VALVE			
60806	125HB-3-4	FITTING, HOSE BARB TO MALE PIPE			
61064	5-1/4 F50G-S	ADAPTER, FEMALE PIPE TO STRAIGHT THREAD			
61079	4 WELO-WLNL-S	UNION, 90° BULKHEAD W/NUT, ORFS			
61080	6 WLO-WLNL-S	UNION, BULKHEAD, ORFS			

Fitting Cross References (Continued)

Genie PN	Parker PN	Description
64271	4 WLO-WLNL-S	UNION,BULKHEAD,ORFS
64272	6 WLO-WLNL-S	UNION,BULKHEAD,ORFS
65776	8 F65OL-S	CONNECTOR,STRAIGHT THREAD TO ORFS SWIVEL
65880	6001012	O-RING KIT
66154	6 WTX-WLNS	UNION,BULKHEAD,FLARE TUBE
66155	6 WETX-S	UNION,BULKHEAD 90°,FLARE TUBE
66156	6 WLN-S	BULKHEAD LOCKNUT
66389	6-8 F5OX-S	CONNECTOR,STRAIGHT THREAD TO FLARE TUBE
66392	6 R5OX-S	RUN TEE,STRAIGHT THREAD
66396	811-12	HOSE,3/4 INCH ID
66829	H3174PP	CLAMP,TUBE
67217	4 KLO-S	UNION,CROSS,ORFS
67339	10-6 F5OX-S	CONNECTOR,STRAIGHT THREAD TO FLARE TUBE
67357	13943-8-6	HOSE END,90° FEMALE SWIVEL,JIC
67358	10 HP5ON-S	PLUG,STRAIGHT THREAD
67371	12 S6LO-S	BRANCH TEE,SWIVEL NUT TO ORFS
67498	4 FNL-S	CAP, TUBE END
67906	DC-370-F0F0-5	VALVE,CHECK
69316	8 FLO-S	CONNECTOR,MALE PIPE TO ORFS
69333	H3174PP	CLAMP,HYDRAULIC HOSE
69503	4 F65OX-S	CONNECTOR,STRAIGHT THREAD TO 37° SWIVEL
69775	8 FNL-S	CAP, TUBE END
71038	1/4X1/4F3HG-S	ADAPTER,CONVERSION
71196	12-8 F5OLO-S	CONNECTOR,STRAIGHT THREAD TO ORFS
71383	1/4 CD45-S	ELBOW,45°,MALE TO FEMALE PIPE
72270	12FNL-S	CAP, TUBE END
73436	60C-4	SLEEVE,COMPRESSION
73437	61C-4	NUT,COMPRESSION
73438	33482-4-4B	HOSE END,PUSH LOK,MALE
73767	1CD-S	ELBOW,90°,MALE TO FEMALE PIPE
73768	20-16-F5OG5-S	ADAPTER,FEMALE PIPE TO STRAIGHT THREAD
73769	16-20 F5OLO-S	CONNECTOR,STRAIGHT THREAD TO ORFS
74660	6-8 F42EDMLO-S	CONNECTOR,MALE BSPP TO ORFS
74661	8-8 F42EDMLO-S	CONNECTOR,MALE BSPP TO ORFS
75007	4 FLO-S	CONNECTOR,MALE PIPE TO ORFS
75008	1/8 HP-S	PLUG,PIPE THREAD
75014	1/2 HP-S	PLUG,PIPE THREAD
75042	8 WELO-WLNL-S	UNION,90° BULKHEAD W/NUT,ORFS
75043	3/4 FF-S	NIPPLE,PIPE
75254	24 F5OHAO-S	UNION,STRAIGHT THREAD
75255	12 F5OHAO-S	UNION,STRAIGHT THREAD
75256	XV506P-24	BALL VALVE
75574	4 WLNL-S	BULKHEAD LOCKNUT
75612	8 WJLO-WLNL-S	RUN TEE, BULKHEAD,ORFS
75613	12-8 F5OG5-S	ADAPTER,FEMALE PIPE TO STRAIGHT THREAD
75614	8 CC5OLO-S	ELBOW,90° LONG,STRAIGHT THREAD TO ORFS
75628	1JB43-4-4	HOSE END,BULKHEAD,SEAL LOK

Genie PN	Parker PN	Description
75631	801-6	HOSE,3/8 INCH ID
75654	20 F5OLO-S	CONNECTOR,STRAIGHT THREAD TO ORFS
75655	1J943-20-20	HOSE END,90° FEMALE SWIVEL,SEAL LOK
75656	881-20	HOSE,1-1/4 INCH ID
75971	8 F5OHAO-S	UNION,STRAIGHT THREAD
77307	1JB43-8-8	HOSE END,BULKHEAD,SEAL LOK
77309	8 WLNL-S	BULKHEAD LOCKNUT
77379	8M18C87OMX-S	ELBOW,90° METRIC,STRAIGHT THREAD TO FLARE TUBE
77703	3J982-8-8	HOSE END,90° FEMALE SWIVEL,SEAL LOK
77711	801-10	HOSE,5/8 INCH ID
77758	12 WNLO-WLNL-S	UNION,BULKHEAD 45°,ORFS
78091	6 C6X-S	ELBOW,90°,SWIVEL NUT TO FLARE TUBE
78684	30582-8-8B	HOSE END,PUSH LOK,MALE
78852	549-2	HOSE,1/8 INCH ID
78855	10657-4-2	HOSE END,FEMALE SWIVEL,JIC
79138	PS-B-37	SLEEVE,NYLON,2.38" ID
79476	1JS43-6-8	HOSE END,FEMALE SWIVEL,SEAL LOK
79847	12-3/4 A0EG-S	ELBOW,90°,STRAIGHT THREAD TO FEMALE PIPE
80044	8 CLO-S	ELBOW,90°,MALE PIPE TO ORFS
80502	8 F5OX-S	CONNECTOR,STRAIGHT THREAD TO FLARE TUBE
80503	8 C5OX-S	ELBOW,90°,STRAIGHT THREAD TO FLARE TUBE
81010	AS-B-27	SLEEVE,NYLON,1.63" ID
83052	821-6	HOSE,3/8 INCH ID
83053	821-8	HOSE,1/2 INCH ID
83054	821-12	HOSE,3/4 INCH ID
83055	30682-6-6	HOSE END,FEMALE SWIVEL,JIC
83056	30682-12-12	HOSE END,FEMALE SWIVEL,JIC
83057	33782-6-6	HOSE END,45° FEMALE SWIVEL,JIC
83058	33982-6-6	HOSE END,90° FEMALE SWIVEL,JIC
83060	33982-12-12	HOSE END,90° FEMALE SWIVEL,JIC
83063	13743-4-4	HOSE END,45° FEMALE SWIVEL,JIC

Fitting Cross References (Continued)

Genie PN	Parker PN	Description	Genie PN	Parker PN	Description
83064	13743-8-8	HOSE END,45° FEMALE SWIVEL,JIC	89449	6 WJLO-WLNL-S	RUN TEE, BULKHEAD,ORFS
83065	13743-12-12	HOSE END,45° FEMALE SWIVEL,JIC	89489	4 WJMLO-S	BRANCH TEE,BULKHEAD,ORFS
83066	13943-8-8	HOSE END,90° FEMALE SWIVEL,JIC	89551	1JB43-6-6	HOSE END,BULKHEAD,SEAL LOK
83067	14143-6-6	HOSE END,90° FEMALE SWIVEL,JIC	89552	1JB43-8-8	HOSE END,BULKHEAD,SEAL LOK
83068	14143-8-8	HOSE END,90° FEMALE SWIVEL,JIC	89593	20 C5OLO-S	ELBOW,90°,STRAIGHT THREAD TO ORFS
83069	14143-12-12	HOSE END,90° FEMALE SWIVEL,JIC	94161	8-8 CLO-S	ELBOW,90°,MALE PIPE TO ORFS
83070	772-8	HOSE,1/2 INCH ID	94358	351TC-12	HOSE,3/4 INCH ID
83071	10671-8-8	HOSE END,FEMALE SWIVEL,JIC	94418	20 FLO-S	CONNECTOR,MALE PIPE TO ORFS
83072	10671-12-12	HOSE END,FEMALE SWIVEL,JIC	96358	12 TX-S	SLEEVE,FLARE TUBE
83073	13771-8-8	HOSE END,45° FEMALE SWIVEL,JIC	96359	12 BTX-S	NUT,FLARE TUBE
83074	13771-12-12	HOSE END,45° FEMALE SWIVEL,JIC	96397	8 F5OX-S	CONNECTOR,STRAIGHT THREAD TO FLARE TUBE
83075	13971-8-8	HOSE END,90° FEMALE SWIVEL,JIC	96398	12-8 F5OX-S	CONNECTOR,STRAIGHT THREAD TO FLARE TUBE
83076	13971-12-12	HOSE END,90° FEMALE SWIVEL,JIC	96402	10343-6-6	HOSE END,MALE,JIC
83077	14171-8-8	HOSE END,90° FEMALE SWIVEL,JIC	96407	30382-6-6B	HOSE END,MALE,JIC
83078	14171-12-12	HOSE END,90° FEMALE SWIVEL,JIC			
83080	13943-16-16	HOSE END,90° FEMALE SWIVEL,JIC			
83103	10671-16-12	HOSE END,FEMALE SWIVEL,JIC			
83104	10671-10-12	HOSE END,FEMALE SWIVEL,JIC			
83112	1JC71-8-8	HOSE END,FEMALE SWIVEL,SEAL LOK			
83113	1JS71-16-12	HOSE END,FEMALE SWIVEL,SEAL LOK			
83114	1JS71-10-12	HOSE END,FEMALE SWIVEL,SEAL LOK			
83115	1J971-8-8	HOSE END,90° FEMALE SWIVEL,SEAL LOK			
83116	1J171-8-8	HOSE END,90° FEMALE SWIVEL,SEAL LOK			
83117	1J771-8-8	HOSE END,45° FEMALE SWIVEL,SEAL LOK			
83127	1J543-6-8	HOSE END,90° FEMALE SWIVEL,JIC			
83128	1JC43-6-8	HOSE END,FEMALE SWIVEL,SEAL LOK			
87033	12-6 TRLO-S	REDUCER,TUBE END TO SWIVEL,ORFS			
87034	3J782-8-8	HOSE END,45° FEMALE SWIVEL,SEAL LOK			
87172	12 HP5ON-S	PLUG,STRAIGHT THREAD			
87185	8 WNLO-WLNL-S	UNION,BULKHEAD 45°,ORFS			
87246	4 C6X-S	ELBOW,90°,SWIVEL NUT TO FLARE TUBE			
87679	6 LHP-S	FLANGE SEAL FITTING, MALE			
87681	6PLS N0702	BONDED SEAL			
88100	SR88100	ADAPTER,OIL DRAIN,GM 3.0L			
88311	1JS43-20-20	HOSE END,FEMALE SWIVEL,SEAL LOK			
88353	20 V5OLO-S	ELBOW,45°,STRAIGHT THREAD TO ORFS			
88474	10081-20	Crimp Shell, 1.25"			
88475	1988-20-24	HOSE END,90° FLANGE HEAD			
88476	JS88-24-24	HOSE END,FEMALE SWIVEL,SEAL LOK			
88477	1JC88-20-20	HOSE END,FEMALE SWIVEL,SEAL LOK			
88478	811-20	HOSE,11/4 INCH ID			
88936	20-16 F5OLO-S	CONNECTOR,STRAIGHT THREAD TO ORFS			
88937	20-16 FLO-S	CONNECTOR,MALE PIPE TO ORFS			
88938	1JC88-16-16	HOSE END,FEMALE SWIVEL,SEAL LOK			
88939	1J988-16-16	HOSE END,90° FEMALE SWIVEL,ORFS			
88940	811-16	HOSE,1 INCH ID			
88944	1J988-20-20	HOSE END,90° FEMALE SWIVEL,ORFS			
89403	16 VLO-S	ELBOW,45°,MALE PIPE TO ORFS			

California Proposition 65

Warning

The exhaust from this product contains chemicals known to the State of California to cause cancer, birth defects or other reproductive harm.

Genie North America

Phone 425.881.1800
Toll Free USA and Canada
800.536.1800
Fax 425.883.3475

Genie Australia Pty Ltd.

Phone +61 7 3375 1660
Fax +61 7 3375 1002

Genie China

Phone +86 21 53852570
Fax +86 21 53852569

Genie Malaysia

Phone +65 98 480 775
Fax +65 67 533 544

Genie Japan

Phone +81 3 3453 6082
Fax +81 3 3453 6083

Genie Korea

Phone +82 25 587 267
Fax +82 25 583 910

Genie Brasil

Phone +55 11 41 665 755
Fax +55 11 41 665 754

Genie Holland

Phone +31 183 581 102
Fax +31 183 581 566

Genie Scandinavia

Phone +46 31 575100
Fax +46 31 579020

Genie France

Phone +33 (0)2 37 26 09 99
Fax +33 (0)2 37 26 09 98

Genie Iberica

Phone +34 93 579 5042
Fax +34 93 579 5059

Genie Germany

Phone +49 (0)4202 88520
Fax +49 (0)4202 8852-20

Genie U.K.

Phone +44 (0)1476 584333
Fax +44 (0)1476 584334

Genie Mexico City

Phone +52 55 5666 5242
Fax +52 55 5666 3241

Distributed By:

Parts Manual

Z-30/20N, Z-30/20N RJ

from SN 1932

Part No.
74117

Rev J33

Genie
A TEREX BRAND